

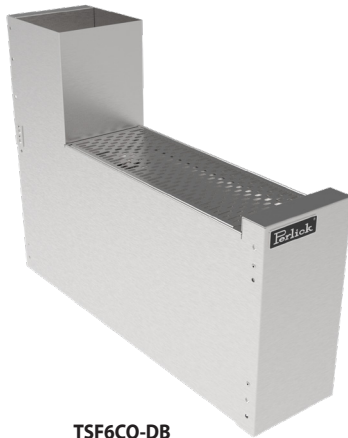


TOP SHELF FILLER SECTIONS
TS & TSF Series 6"W

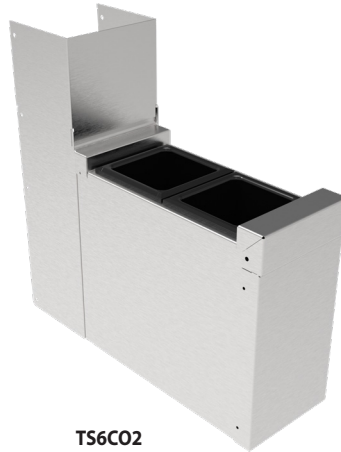
MODEL NUMBERS - TS6FA, TS6CO-DB, TS6CO2, TSF6CO-DB

JOB	
AREA	
ITEM NO.	
MODEL NO.	

MODELS
TS6FA
TS6CO-DB
TS6CO2
TSF6CO-DB



TSF6CO-DB



TS6CO2
(shown with 7055-74)



TS6FA

KEY PRODUCT FEATURES AND BENEFITS

- The chase cutout models accommodate beverage tubing or even drink rail drainer returns.
- Full box stainless steel construction helps ensure no gaps with adjacent equipment.
- Drainboard models' work surface has a removable perforated insert to make clean up a breeze.
- Drainboard surface captures excess moisture and has radius corners for easy cleaning.
- Mounts to adjoining equipment.
- Adds various functionality to your cocktail station based on the needs of the bartender.
- Bottle wells are made from high impact resistant material.
- Speedrails can run across or land on Perlick filler units.
- Flat top unit adds much needed workspace or storage to a busy cocktail station.

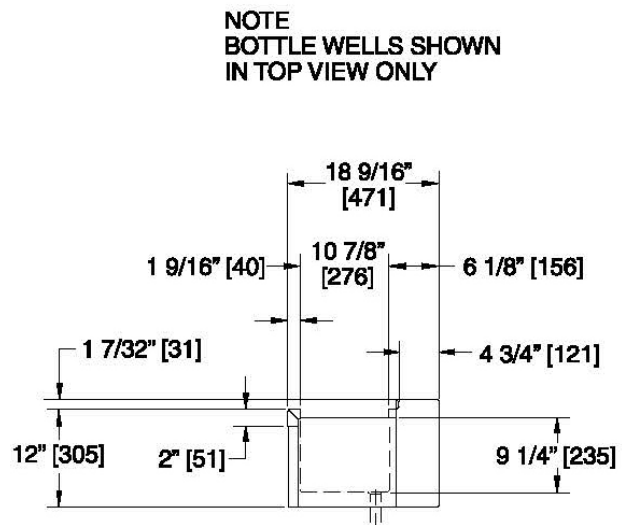
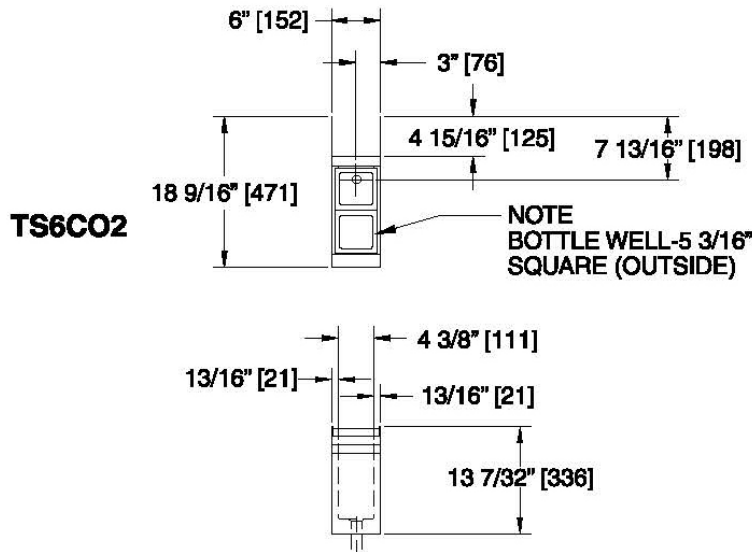
Additional Features:

- Mounts to adjacent equipment (no leg mounting).
- Must be mounted to adjacent equipment (no legs) and best if factory assembled to adjacent equipment.



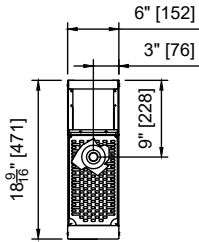
TOP SHELF FILLER SECTIONS
TS & TSF Series 6"W

MODEL NOS.		TS6FA	TS6CO-DB	TS6CO2	TSF6CO-DB
DESCRIPTION		With flat top	With access cutout and drainboard top	With access cutout and 2 bottle wells	with access cutout and drainboard top
DIMENSIONS: EXTERIOR	Width In. (mm)	6" (152)	6" (152)	6" (152)	6" (152)
	Depth In. (mm)	18-9/16"	18-9/16"	18-9/16"	24
	Weight lb. (kg)	7 (3)	10 (4.5)	10 (4.5)	15 (7)
MATERIALS	Construction	All stainless steel			
	Front & Back	Stainless steel			
	Backsplash	Stainless steel 6" high with 1" return			
	Drainboard	N/A	Stainless steel drainboard, All horizontal and vertical edges 1/4" radius with ballbed corners, drain location is back center, 1-1/2" NPS drain socket.	N/A	Stainless steel drainboard, All horizontal and vertical edges 1/4" radius with ballbed corners, drain location is back center, 1-1/2" NPS drain socket.
	Insulated	N/A	N/A	Yes	N/A
MECHANICALS	Plumbing	Stainless steel drain socket located back center. Drain connection is 1" NPS male.	Stainless drain socket located back center. Drain connection is 1-1/2" NPS male.	Stainless drain socket located back center. Drain connection is 1" NPS male.	Stainless drain socket located back center. Drain connection is 1-1/2" NPS male.





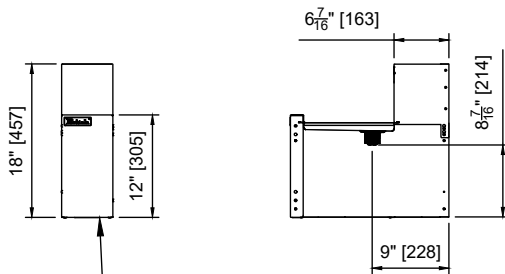
TOP SHELF FILLER SECTIONS
TS & TSF Series 6"W



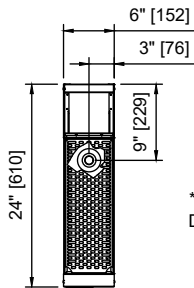
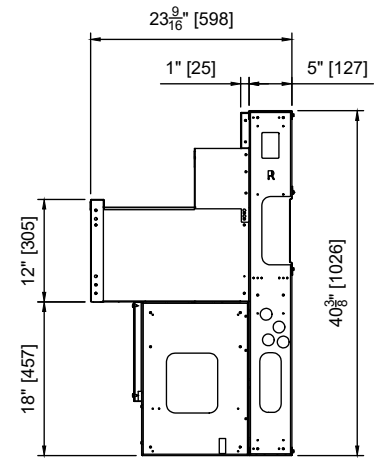
*CUT OUT SHOWN FOR DRAIN REFERENCE



TS6CO-DB



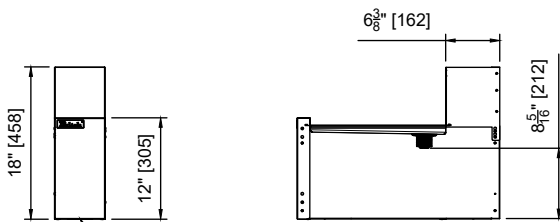
NO LEGS AVAILABLE
 ATTACH TO ADJACENT
 EQUIPMENT



*CUT OUT SHOWN FOR DRAIN REFERENCE



TSF6CO-DB



NO LEGS AVAILABLE
 ATTACH TO ADJACENT
 EQUIPMENT

