



24" SIGNATURE SERIES
Beverage Center



eco friendly
R600a Refrigerant



| | |
|-----------|--|
| JOB | |
| AREA | |
| ITEM NO. | |
| MODEL NO. | |



Glass Door Model



Solid Door Model

| MODELS | DESCRIPTION |
|----------------------|---|
| HP24BS-4-1R/L | Indoor Signature Series Beverage Center Solid Stainless Steel Door |
| HP24BS-4-2R/L | Indoor Signature Series Beverage Center Solid Panel Ready Door |
| HP24BS-4-3R/L | Indoor Signature Series Beverage Center Stainless Steel Glass Door |
| HP24BS-4-4R/L | Indoor Signature Series Beverage Center Panel Ready Glass Door |
| HP24BO-4-1R/L | Outdoor Signature Series Beverage Center Solid Stainless Steel Door |
| HP24BO-4-2R/L | Outdoor Signature Series Beverage Center Solid Panel Ready Door |
| HP24BO-4-3R/L | Outdoor Signature Series Beverage Center Stainless Steel Glass Door |
| HP24BO-4-4R/L | Outdoor Signature Series Beverage Center Panel Ready Glass Door |
| HP24BM-4-1R/L | Marine Signature Series Beverage Center Solid Stainless Steel Door |
| HP24BM-4-2R/L | Marine Signature Series Beverage Center Solid Panel Ready Door |
| HP24BM-4-3R/L | Marine Signature Series Beverage Center Stainless Steel Glass Door |
| HP24BM-4-4R/L | Marine Signature Series Beverage Center Panel Ready Glass Door |

KEY PRODUCT FEATURES AND BENEFITS

- 1000 BTU/hr capacity delivers industry's most energy efficient cool down; indoors or outdoors
- Up to 70% faster cooling speeds than leading competitor
- Variable speed compressor minimizes sound; up to 30% quieter than competitors
- Commercial-grade all stainless steel interior and exterior provide superior durability and easy cleaning
- Perlick Anti-Condensation System™ eliminates condensation from forming on the cabinet (Outdoor and Marine models only)
- Marine & Coastal Grade with Perlick Armor™ upgrades stainless steel, fasteners, and refrigeration system to the highest blend of corrosion resistance and food safety

Quick Features:

- Wine and refrigerator shelves fully extend on vibration dampened, stainless steel ball-bearing glides; stainless steel wine shelves will not absorb odors over time
- Industry's best full 6 year warranty for owner ease of mind
- Available with stainless steel or panel ready doors to match your design style
- Audible door alarm warns user if door is held open
- Selectable blue or white LED lighting
- R600a Natural Refrigerant offers maximum energy efficiency with zero ozone depletion potential
- Storage for up to 62 cans and 16 bottles of wine



24" SIGNATURE SERIES
Beverage Center

| MODEL NUMBERS | | HP24BS | HP24BO | HP24BM |
|----------------------------------|-----------------------------|--|--|--|
| MODEL DESCRIPTION | | 24" Indoor Beverage Center | 24" Outdoor Beverage Center | 24" Marine/Coastal Beverage Center |
| ATTRIBUTES | | | | |
| Perlick Anti-Condensation System | | NO | YES | YES |
| Energy Star Certified | | YES | YES | YES |
| Perlick Armor™ | | NO | NO | YES |
| OVERALL DIMENSIONS | Width - in. (mm) | 23-7/8" (606 mm.) | 23-7/8" (606 mm.) | 23-7/8" (606 mm.) |
| | Depth - in. (mm) | 24" (610 mm.) | 24" (610 mm.) | 24" (610 mm.) |
| | Height - in. (mm) | 34-1/4" (870 mm.) | 34-1/4" (870 mm.) | 34-1/4" (870 mm.) |
| STANDARD OPENING DIMENSIONS | Width - in. (mm) | 24" (610 mm.) | 24" (610 mm.) | 24" (610 mm.) |
| | Depth - in. (mm) | 24-7/8" (632 mm.) | 24-7/8" (632 mm.) | 24-7/8" (632 mm.) |
| | Height - in. (mm) | 34-1/2" (876 mm.) | 34-1/2" (876 mm.) | 34-1/2" (876 mm.) |
| INTERNAL VOLUME Net. Cu. Ft. | | 5.2 cu. ft. | 5.2 cu. ft. | 5.2 cu. ft. |
| SHIPPING WEIGHT Lbs. (kg.) | | 222 (100.7 kg) | 222 (100.7 kg) | 225 (102.3 kg) |
| ELECTRICAL SPECIFICATIONS | Electrical Supply | 115 VAC/60 Hz/1 Ph | 115 VAC/60 Hz/1 Ph | 115 VAC/60 Hz/1 Ph |
| | Running Load Amps | 1.9 amps | 1.9 amps | 1.9 amps |
| | Electrical Connection | Cord connected | Cord connected | Cord connected |
| | Cord Plug Type | NEMA 3 Prong 5-15P | NEMA 3 Prong 5-15P | NEMA 3 Prong 5-15P |
| | Cord Length | 6' | 6' | 6' |
| | Defrost Initiation | Automatic | Automatic | Automatic |
| | Defrost Type | Off cycle | Off cycle | Off cycle |
| | Thermostat | Digital | Digital | Digital |
| | Lighting Type | LED | LED | LED |
| REFRIGERATION SPECIFICATIONS | Refrigerant | R600a (62g) | R600a (62g) | R600a (62g) |
| | Expansion Device | Capillary Tube | Capillary Tube | Capillary Tube |
| | Temperature Settings F°(C°) | 33° (0.5°) - 48° (8.8°) Factory Set Point 36° (2.2°) | 33° (0.5°) - 48° (8.8°) Factory Set Point 36° (2.2°) | 33° (0.5°) - 48° (8.8°) Factory Set Point 36° (2.2°) |
| | Heat Rejection (at 75°F) | 450 BTU/hr | 450 BTU/hr | 450 BTU/hr |
| | Pull Down Capacity | 1000 BTU/hr | 1000 BTU/hr | 1000 BTU/hr |
| | Front Vented | Yes | Yes | Yes |
| PLUMBING | | None Required | None Required | None Required |

Installation Notes: To achieve 24" install depth, place electrical connection adjacent to the installation cavity.

ACCESSORIES

| MODEL NOS. | DESCRIPTION |
|------------|--|
| (L) | Factory Installed Lock |
| 67991-L/R | Stacking Kit for HP24/HC24/HA24 models |
| 66736 | Caster Kit for HP24/HC24/HA24 models |
| 67115-24 | Wood Faces for Wine Shelves (7/pk) |

Perlick accessories are available for purchase through an authorized Perlick dealer. For a full list of accessories and to find a dealer near you, visit perlick.com.

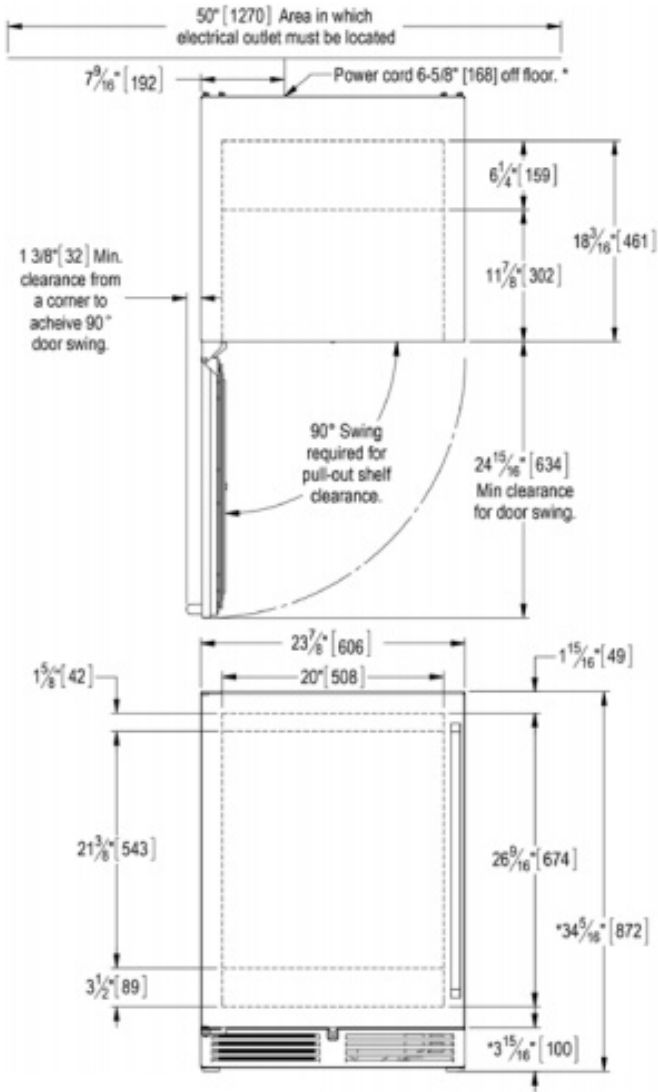


24" SIGNATURE SERIES
Beverage Center

| | CUSTOMER MODEL NUMBER | REGULATORY MODEL NUMBER | Hinge Side | Lock |
|------------------|-----------------------|-------------------------|------------|------|
| INDOOR | HP24BS-4-1L | HP24BS4C-00-SLF0B | Left | No |
| | HP24BS-4-1R | HP24BS4C-00-SRF0B | Right | No |
| | HP24BS-4-2L | HP24BS4C-00-PL00B | Left | No |
| | HP24BS-4-2R | HP24BS4C-00-PR00B | Right | No |
| | HP24BS-4-3L | HP24BS4C-00-TLF0B | Left | No |
| | HP24BS-4-3R | HP24BS4C-00-TRF0B | Right | No |
| | HP24BS-4-4L | HP24BS4C-00-RL00B | Left | No |
| | HP24BS-4-4R | HP24BS4C-00-RR00B | Right | No |
| | HP24BS-4-1LL | HP24BS4C-00-SLFLB | Left | Yes |
| | HP24BS-4-1RL | HP24BS4C-00-SRFLB | Right | Yes |
| | HP24BS-4-2LL | HP24BS4C-00-PL0LB | Left | Yes |
| | HP24BS-4-2RL | HP24BS4C-00-PROLB | Right | Yes |
| | HP24BS-4-3LL | HP24BS4C-00-TLFLB | Left | Yes |
| | HP24BS-4-3RL | HP24BS4C-00-TRFLB | Right | Yes |
| | HP24BS-4-4LL | HP24BS4C-00-RL0LB | Left | Yes |
| | HP24BS-4-4RL | HP24BS4C-00-RR0LB | Right | Yes |
| OUTDOOR | HP24BO-4-1L | HP24BO4C-00-SLF0B | Left | No |
| | HP24BO-4-1R | HP24BO4C-00-SRF0B | Right | No |
| | HP24BO-4-2L | HP24BO4C-00-PL00B | Left | No |
| | HP24BO-4-2R | HP24BO4C-00-PR00B | Right | No |
| | HP24BO-4-3L | HP24BO4C-00-TLF0B | Left | No |
| | HP24BO-4-3R | HP24BO4C-00-TRF0B | Right | No |
| | HP24BO-4-4L | HP24BO4C-00-RL00B | Left | No |
| | HP24BO-4-4R | HP24BO4C-00-RR00B | Right | No |
| | HP24BO-4-1LL | HP24BO4C-00-SLFLB | Left | Yes |
| | HP24BO-4-1RL | HP24BO4C-00-SRFLB | Right | Yes |
| | HP24BO-4-2LL | HP24BO4C-00-PL0LB | Left | Yes |
| | HP24BO-4-2RL | HP24BO4C-00-PROLB | Right | Yes |
| | HP24BO-4-3LL | HP24BO4C-00-TLFLB | Left | Yes |
| | HP24BO-4-3RL | HP24BO4C-00-TRFLB | Right | Yes |
| | HP24BO-4-4LL | HP24BO4C-00-RL0LB | Left | Yes |
| | HP24BO-4-4RL | HP24BO4C-00-RR0LB | Right | Yes |
| MARINE & COASTAL | HP24BM-4-1L | HP24BM4C-00-MLF0B | Left | No |
| | HP24BM-4-1R | HP24BM4C-00-MRF0B | Right | No |
| | HP24BM-4-2L | HP24BM4C-00-PL00B | Left | No |
| | HP24BM-4-2R | HP24BM4C-00-PR00B | Right | No |
| | HP24BM-4-3L | HP24BM4C-00-NLF0B | Left | No |
| | HP24BM-4-3R | HP24BM4C-00-NRF0B | Right | No |
| | HP24BM-4-4L | HP24BM4C-00-RL00B | Left | No |
| | HP24BM-4-4R | HP24BM4C-00-RR00B | Right | No |
| | HP24BM-4-1LL | HP24BM4C-00-MLFLB | Left | Yes |
| | HP24BM-4-1RL | HP24BM4C-00-MRFLB | Right | Yes |
| | HP24BM-4-2LL | HP24BM4C-00-PL0LB | Left | Yes |
| | HP24BM-4-2RL | HP24BM4C-00-PROLB | Right | Yes |
| | HP24BM-4-3LL | HP24BM4C-00-NLFLB | Left | Yes |
| | HP24BM-4-3RL | HP24BM4C-00-NRFLB | Right | Yes |
| | HP24BM-4-4LL | HP24BM4C-00-RL0LB | Left | Yes |
| | HP24BM-4-4RL | HP24BM4C-00-RR0LB | Right | Yes |



24" SIGNATURE SERIES
Beverage Center



* - Leg levelers can add 3/4" [19] to these dimensions when fully extended.

