



**24" ADA-HEIGHT COMPLIANT SERIES**  
*Wine Reserve*



**ecofriendly**  
R600a Refrigerant



JOB	
AREA	
ITEM NO.	
MODEL NO.	



**Glass Door Model**



**Solid Door Model**

MODELS	DESCRIPTION
<b>HA24WB-4-1R/L</b>	Indoor ADA-Height Compliant Wine Reserve Solid Stainless Steel Door
<b>HA24WB-4-2R/L</b>	Indoor ADA-Height Compliant Wine Reserve Solid Panel Ready Door
<b>HA24WB-4-3R/L</b>	Indoor ADA-Height Compliant Wine Reserve Stainless Steel Glass Door
<b>HA24WB-4-4R/L</b>	Indoor ADA-Height Compliant Wine Reserve Panel Ready Glass Door

**KEY PRODUCT FEATURES AND BENEFITS**

- Industry's largest selection of ADA-height compliant models for accessible and aging in place designs
- 800 BTU/hr capacity delivers commercial grade cooling performance
- Variable speed compressor minimizes sound; up to 30% quieter than competitors
- Commercial-grade all stainless steel interior provides superior durability and easy cleaning; black vinyl exterior for built in applications
- Wine shelves fully extend on vibration dampened, stainless steel ball-bearing glides; stainless steel wine shelves will not absorb odors over time

**Quick Features:**

- Industry's best full 6 year warranty for owner ease of mind
- Available with stainless steel or panel ready door to match your design style
- Audible door alarm warns user if door is held open
- Selectable blue or white LED lighting
- R600a Natural Refrigerant offers maximum energy efficiency with zero ozone depletion potential
- Storage for up to 32 bottles of wine



**24" ADA-HEIGHT COMPLIANT SERIES**  
*Wine Reserve*

MODEL NUMBERS		HA24WB
MODEL DESCRIPTION		24" Indoor ADA-Height Compliant Wine Reserve
ATTRIBUTES		
Perlick Anti-Condensation System		NO
OVERALL DIMENSIONS	Width - in. (mm)	23-7/8" (606 mm.)
	Depth - in. (mm)	24" (610 mm.)
	Height - in. (mm)	32" (813 mm.)
STANDARD OPENING DIMENSIONS	Width - in. (mm)	24" (610 mm.)
	Depth - in. (mm)	24-7/8" (632 mm.)
	Height - in. (mm)	32-1/4" (819 mm.)
INTERNAL VOLUME Net. Cu. Ft.		4.8 cu. ft total
SHIPPING WEIGHT Lbs. (kg.)		181 lbs (82.27 kg)
ELECTRICAL SPECIFICATIONS	Electrical Supply	115 VAC/60 Hz/1 Ph
	Running Load Amps	1.9 amps
	Electrical Connection	Cord connected
	Cord Plug Type	NEMA 3 Prong 5-15P
	Cord Length	6'
	Defrost Initiation	Automatic
	Defrost Type	Off cycle
	Thermostat	Digital
REFRIGERATION SPECIFICATIONS	Lighting Type	LED
	Refrigerant	R600a (62g)
	Expansion Device	Capillary Tube
	Temperature Settings F°(C°)	45° (7.2°) - 65° (18.3°) <b>Factory Set Point 36° (2.2°)</b>
	Heat Rejection (at 75°F)	450 BTU/hr
	Pull Down Capacity	800 BTU/hr
PLUMBING		None Required
Front Vented		Yes

*Installation Notes: To achieve 24" install depth, place electrical connection adjacent to the installation cavity.*

**ACCESSORIES**

MODEL NOS.	DESCRIPTION
(L)	Factory Installed Lock
67164	6" Toe Kick Kit (includes riser) for HA24 models
66736	Caster Kit for HP24/HC24/HA24 models

Perlick accessories are available for purchase through an authorized Perlick dealer. For a full list of accessories and to find a dealer near you, visit [perlick.com](http://perlick.com).

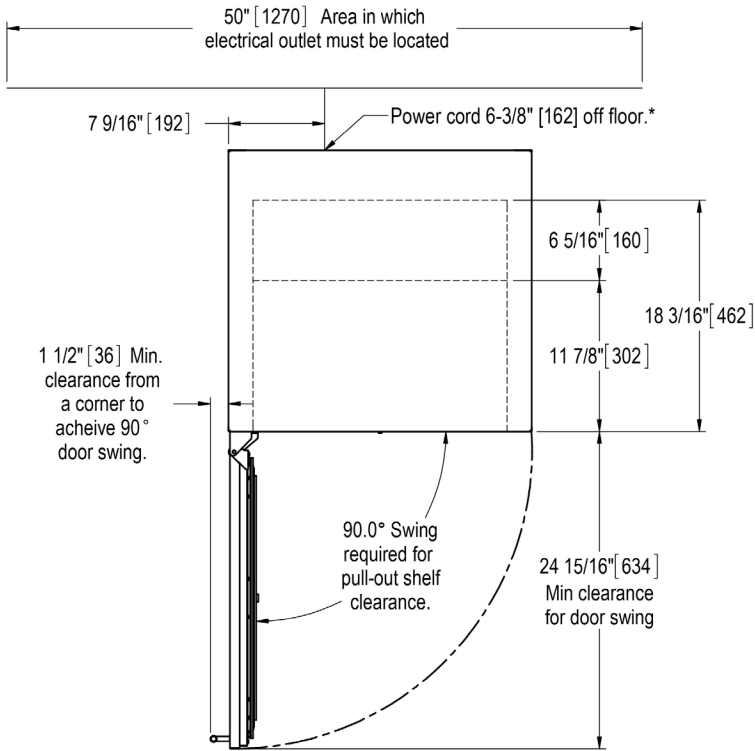


**24" ADA-HEIGHT COMPLIANT SERIES**  
*Wine Reserve*

CUSTOMER MODEL NUMBER	REGULATORY MODEL NUMBER	Hinge Side	Lock
HA24WB-4-1L	HA24WB4F-00-SLS0W	Left	No
HA24WB-4-1R	HA24WB4F-00-SRS0W	Right	No
HA24WB-4-2L	HA24WB4F-00-PL00W	Left	No
HA24WB-4-2R	HA24WB4F-00-PR00W	Right	No
HA24WB-4-3L	HA24WB4F-00-TLS0W	Left	No
HA24WB-4-3R	HA24WB4F-00-TRS0W	Right	No
HA24WB-4-4L	HA24WB4F-00-RL00W	Left	No
HA24WB-4-4R	HA24WB4F-00-RR00W	Right	No
HA24WB-4-1LL	HA24WB4F-00-SLSLW	Left	Yes
HA24WB-4-1RL	HA24WB4F-00-SRSLW	Right	Yes
HA24WB-4-2LL	HA24WB4F-00-PL0LW	Left	Yes
HA24WB-4-2RL	HA24WB4F-00-PR0LW	Right	Yes
HA24WB-4-3LL	HA24WB4F-00-TLSLW	Left	Yes
HA24WB-4-3RL	HA24WB4F-00-TRSLW	Right	Yes
HA24WB-4-4LL	HA24WB4F-00-RL0LW	Left	Yes
HA24WB-4-4RL	HA24WB4F-00-RR0LW	Right	Yes



**24" ADA-HEIGHT COMPLIANT SERIES**  
*Wine Reserve*



\* - Leg levelers can add 3/4" [19] to these dimensions when fully extended.

