



24" ADA-HEIGHT COMPLIANT SERIES
Freezer



ecofriendly
R600a Refrigerant



JOB	
AREA	
ITEM NO.	
MODEL NO.	



Solid Door Model

MODELS	DESCRIPTION
HA24FB-4-1R/L	Indoor ADA-Height Compliant Freezer Solid Stainless Steel Door
HA24FB-4-2R/L	Indoor ADA-Height Compliant Freezer Solid Panel Ready Door

KEY PRODUCT FEATURES AND BENEFITS

- Industry's largest selection of ADA-height compliant models for accessible and aging in place designs
- 800 BTU/hr capacity delivers commercial grade cooling performance
- Variable speed compressor minimizes sound; up to 30% quieter than competitors
- Commercial-grade all stainless steel interior provides superior durability and easy cleaning; black vinyl exterior for built in applications
- Full extension shelving provides faster and safer product access with no reaching in the back of the cabinet; shelves fully extend on vibration dampened stainless steel ball-bearing glides

Quick Features:

- Industry's best full 6 year warranty for owner ease of mind
- Available with stainless steel or panel ready door to match your design style
- Audible door alarm warns user if door is held open
- White LED task lighting
- R600a Natural Refrigerant offers maximum energy efficiency with zero ozone depletion potential



24" ADA-HEIGHT COMPLIANT SERIES
Freezer

MODEL NUMBERS		HA24FB
MODEL DESCRIPTION		24"Indoor Freezer ADA Height Compliant
ATTRIBUTES		
Perlick Anti-Condensation System		NO
OVERALL DIMENSIONS	Width - in. (mm)	23-7/8" (606 mm.)
	Depth - in. (mm)	24" (610 mm.)
	Height - in. (mm)	32" (813 mm.)
OPENING DIMENSIONS	Width - in. (mm)	24" (610 mm.)
	Depth - in. (mm)	24-7/8" (632 mm.)
	Height - in. (mm)	32-1/4" (819 mm.)
INTERNAL VOLUME Net. Cu. Ft.		4.8 cu. ft total
SHIPPING WEIGHT Lbs. (kg.)		181 lbs (82.27 kg.)
ELECTRICAL SPECIFICATIONS	Electrical Supply	115 VAC/60 Hz/1 Ph
	Running Load Amps	2.2 amps
	Electrical Connection	Cord connected
	Cord Plug Type	NEMA 3 Prong 5-15P
	Cord Length	6'
	Defrost Initiation	Hot Gas
	Defrost Type	Off cycle
	Thermostat	Digital
REFRIGERATION SPECIFICATIONS	Refrigerant	R600a (57g)
	Expansion Device	Capillary Tube
	Temperature Settings F°(C°)	-10° (-23.3°) - 10° (-12.2°) Factory Set Point 36° (2.2°)
	Heat Rejection (at 75°F)	700 BTU/hr
	Pull Down Capacity	800 BTU/hr
	Front Vented	Yes
PLUMBING		None Required

Installation Notes: To achieve 24" install depth, place electrical connection adjacent to the installation cavity.

ACCESSORIES

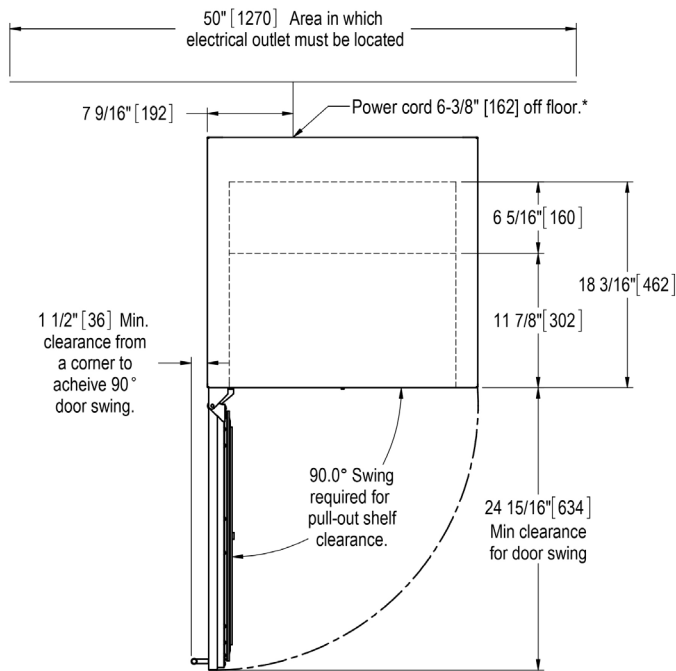
MODEL NOS.	DESCRIPTION
(L)	Factory Installed Lock
67164	6" Toe Kick Kit (includes riser) for HA24 models
66736	Caster Kit for HP24/HC24/HA24 models

Perlick accessories are available for purchase through an authorized Perlick dealer. For a full list of accessories and to find a dealer near you, visit perlick.com.



24" ADA-HEIGHT COMPLIANT SERIES
Freezer

CUSTOMER MODEL NUMBER	REGULATORY MODEL NUMBER	Hinge Side	Lock
HA24FB-4-1L	HA24FB4A-00-SLS0R	Left	No
HA24FB-4-1R	HA24FB4A-00-SRS0R	Right	No
HA24FB-4-2L	HA24FB4A-00-PL00R	Left	No
HA24FB-4-2R	HA24FB4A-00-PR00R	Right	No
HA24FB-4-1LL	HA24FB4A-00-SLSLR	Left	Yes
HA24FB-4-1RL	HA24FB4A-00-SRSLR	Right	Yes
HA24FB-4-2LL	HA24FB4A-00-PL0LR	Left	Yes
HA24FB-4-2RL	HA24FB4A-00-PR0LR	Right	Yes



* - Leg levelers can add 3/4" [19] to these dimensions when fully extended.

