



**24" DUAL-ZONE WINE COLUMN**  
Panel Ready



eco friendly  
R600a Refrigerant



Solid Door Model

JOB	
AREA	
ITEM NO.	
MODEL NO.	

MODELS	DESCRIPTION
CR24D-1-4L	Dual-zone wine, glass overlay ready, hinged left
CR24D-1-4R	Dual-zone wine, glass overlay ready, hinged right

**KEY PRODUCT FEATURES AND BENEFITS**

- Patented dual-zone refrigeration system allows for storage of reds and whites at optimal serving temperatures
- Smart Humidity advanced technology monitors humidity levels in the cabinet and pushes additional moisture into the cabinet to maintain 60-70% humidity, maintaining corks and prevent oxidation
- Carbon air filtration removes odors from the cabinet that could be absorbed into corks over time
- PerliQ™ touch screen control panel disappears into the background until awoken for a modern look
- Customize temperature, activate sabbath mode, or adjust lighting with the sleek PerliQ™ Control panel – Smart temperature settings for red and white wine
- All stainless steel and glass interior provides a hygienic, easy-to-clean, and beautiful cabinet
- Energy efficient and eco-friendly R600a refrigerant has zero ozone depletion potential and is up to 30% more efficient than systems using R134a

**Quick Features:**

- Triple-pane, UV-resistant glass provides protection from harmful light oxidation
- Convertible display shelf showcases 6 prized wine bottles and easily lays flat to store 11 bottles without additional parts and pieces
- Roll-on theatre lighting brightly illuminates cabinet – adjust brightness with 5 built-in settings
- Blue and White LED Interior lighting; Slow fade on and off; Lighting brightness control displays intensity settings in 20% increments (20-40-60-80-100%)
- High-capacity storage of up to 88 750ml bottles in two temperature zones
- Integrated design comes ready to accept custom panel and hardware – stainless steel panels available (ordered separately)
- Full three year warranty plus additional nine years on sealed system

Form No. Z2505  
Rev 09.13.23



**24" DUAL-ZONE WINE COLUMN**  
Panel Ready

MODEL NUMBERS		CR24D-1-4L	CR24D-1-4R
MODEL DESCRIPTION		Dual-zone wine, glass overlay ready, hinged left	Dual-zone wine, glass overlay ready, hinged right
APPLIANCE EXTERIOR DIMENSIONS	Width - in.	23-3/4"	23-3/4"
	Depth - in.	24"	24"
	Height - in.	83-5/8"	83-5/8"
OPENING DIMENSIONS	Width - in.	24"	24"
	Depth - in.	25"	25"
	Height - in.	84"	84"
DEPTH WITH DOOR OPEN		49-3/4" (less door overlay installed)	49-3/4" (less door overlay installed)
INTERNAL VOLUME Net. Cu. Ft.		12.8 cu. ft.	12.8 cu. ft.
SHIPPING WEIGHT Lbs.		541 lbs	541 lbs
ELECTRICAL SPECIFICATIONS	Electrical Supply	115 VAC/60 Hz/1 Ph	115 VAC/60 Hz/1 Ph
	Running Load Amps	3.2 amps	2.3 amps
	Electrical Service	15 amp dedicated circuit	15 amp dedicated circuit
	Cord Plug Type	NEMA 5-15 plug, 5' /3 prong grounding-type	NEMA 5-15 plug, 5' /3 prong grounding-type
MAX BOTTLE CAPACITY		88 (750 ml.)	88 (750 ml.)
TEMPERATURE RANGES	Refrigerant	R600a (53g)	R600a (53g)
	Red Wine Mode	Factory set to 60° (range 40°-68°F)	Factory set to 60° (range 40°-68°F)
	White Wine Mode	Factory set to 50° (range 40°-68°F)	Factory set to 50° (range 40°-68°F)
	Cellar Mode	Factory set to 55° (range 40°-68°F)	Factory set to 55° (range 40°-68°F)

\*Leveling legs allow for up to 3/4" of additional height. Leveling appliance correctly will lead to less door adjustments required.

\*\*Depth does not include door panel, minimum 5/8" door panel is required, see installation instructions for full door panel details.

NOTE: Dual zone wine upper compartment temperature set point must always be set at or above the lower compartment set point.

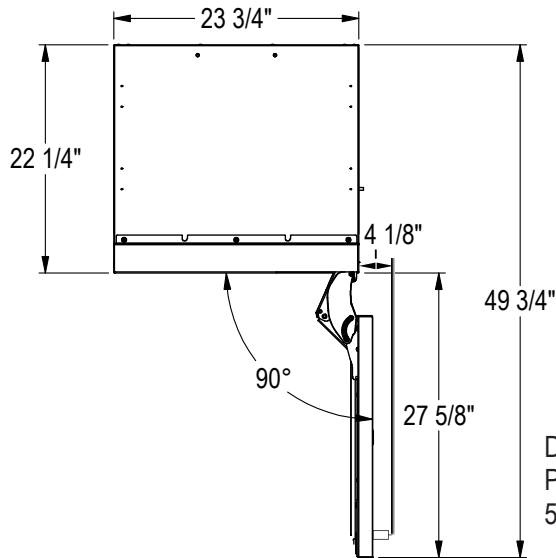
**ACCESSORIES**

- 36" Two tone polished chrome and stainless steel handle
- Field installed stainless steel overlay for glass door (left or right hinged) w/ lock
- Stainless steel finish panel for left or right side

Perlick accessories are available for purchase through an authorized Perlick dealer. For a full list of accessories and to find a dealer near you, visit [perlick.com](http://perlick.com).



**24" DUAL-ZONE WINE COLUMN**  
Panel Ready

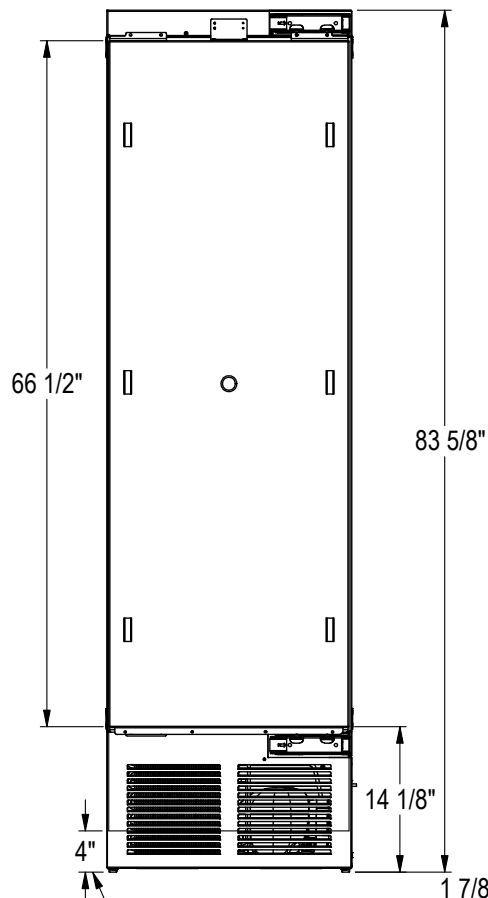


Max clearance required for opened door is 49-3/4" when opened to 90°\* (dimensions shown are without door overlay installed.)

PLEASE NOTE: Door opens to 115°.

\*90° achieved when included hinge stop pin is installed. Pin must be installed prior to full integration.

PLEASE NOTE: When installing column adjacent to wall, a 2" clearance is required if door opens towards the wall.



OVERLAY TEMPLATE DIMENSIONAL LIMIT

