

Perlick® 24" SINGLE-ZONE WINE COLUMN
Panel Ready



eco friendly
R600a Refrigerant



JOB	
AREA	
ITEM NO.	
MODEL NO.	

MODELS	DESCRIPTION
CR24W-1-4L	Single-zone wine, glass overlay ready, hinged left
CR24W-1-4R	Single-zone wine, glass overlay ready, hinged right

Solid Door Model

KEY PRODUCT FEATURES AND BENEFITS

- Smart Humidity advanced technology monitors humidity levels in the cabinet and pushes additional moisture into the cabinet to maintain 60-70% humidity maintaining corks and prevent oxidation
- Carbon air filtration removes odors from the cabinet that could be absorbed into corks over time
- PerliQ™ touch screen control panel disappears into the background until awoken for a modern look
- Customize temperature, activate sabbath mode, or adjust lighting with the sleek PerliQ™ Control panel – Smart temperature settings for red and white wine
- All stainless steel and glass interior provides a hygienic, easy to clean, and beautiful cabinet
- Energy efficient and eco-friendly R600a refrigerant has zero ozone depletion potential and is up to 30% more efficient than systems using R134a

Quick Features:

- Triple-pane, UV-resistant glass provides protection from harmful light oxidation
- Convertible display shelf showcases 6 prized wine bottles and easily lays flat to store 11 bottles without additional parts and pieces
- Roll-on theatre lighting brightly illuminates cabinet, adjust brightness with 5 built in settings
- Blue and White LED Interior lighting; Slow fade on and off; Lighting brightness control displays intensity settings in 20% increments (20-40-60-80-100%)
- High capacity storage up to 99 750ml bottles
- Integrated design comes ready to accept custom panel and hardware, stainless steel panels available (ordered separately)
- Full three year warranty plus additional nine years on sealed system

Form No. Z2504
Rev 09.13.23



24" SINGLE-ZONE WINE COLUMN
Panel Ready

MODEL NUMBERS		CR24W-1-4L	CR24W-1-4R
MODEL DESCRIPTION		Single-zone wine, glass overlay ready, hinged left	Single-zone wine, glass overlay ready, hinged right
APPLIANCE EXTERIOR DIMENSIONS	Width - in. (mm)	23-3/4"	23-3/4"
	Depth - in. (mm)	24"	24"
	Height - in. (mm)	83-5/8"	83-5/8"
OPENING DIMENSIONS	Width - in. (mm)	24"	24"
	Depth - in. (mm)	25"	25"
	Height - in. (mm)	84"	84"
DEPTH WITH DOOR OPEN		49-3/4" (less door overlay installed)	49-3/4" (less door overlay installed)
INTERNAL VOLUME Net. Cu. Ft.		12.6 cu. ft.	12.6 cu. ft.
SHIPPING WEIGHT Lbs. (kg.)		534 lbs	534 lbs
ELECTRICAL SPECIFICATIONS	Electrical Supply	115 VAC/60 Hz/1 Ph	115 VAC/60 Hz/1 Ph
	Running Load Amps	2.3 amps	2.3 amps
	Electrical Service	15 amp dedicated circuit	15 amp dedicated circuit
	Cord Plug Type	NEMA 5-15 plug, 5' /3 prong grounding-type	NEMA 5-15 plug, 5' /3 prong grounding-type
MAX BOTTLE CAPACITY		Single-Zone	94 (750 ml.)
TEMPERATURE RANGES	Refrigerant	R600a (45g)	R600a (45g)
	Red Wine Mode	Factory Set to 60° (Range 40°-68°F)	Factory Set to 60° (Range 40°-68°F)
	White Wine Mode	Factory Set to 50° (Range 40°-68°F)	Factory Set to 50° (Range 40°-68°F)
	Cellar Mode	Factory Set to 55° (Range 40°-68°F)	Factory Set to 55° (Range 40°-68°F)

*Leveling legs allow for up to 3/4" of additional height. Leveling appliance correctly will lead to less door adjustments required.

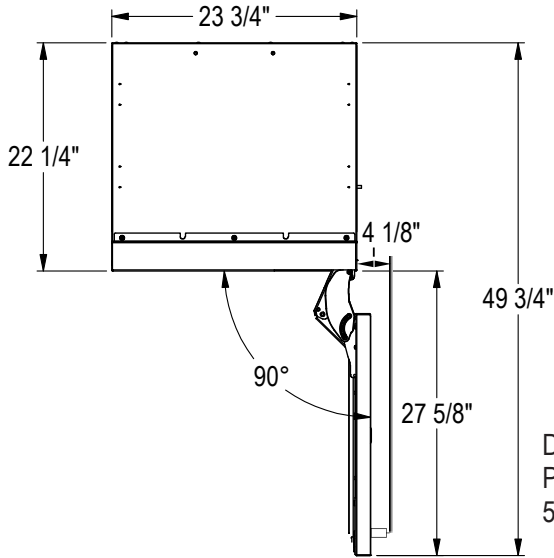
**Depth does not include door panel, minimum 5/8" door panel is required, see installation instructions for full door panel details.

ACCESSORIES

- Dual installation kits
- Stainless steel exterior side finishing panels
- Stainless steel door panels with Perlick Pro Handle

Perlick accessories are available for purchase through an authorized Perlick dealer. For a full list of accessories and to find a dealer near you, visit perlick.com.

Perlick® **24" SINGLE-ZONE WINE COLUMN**
Panel Ready

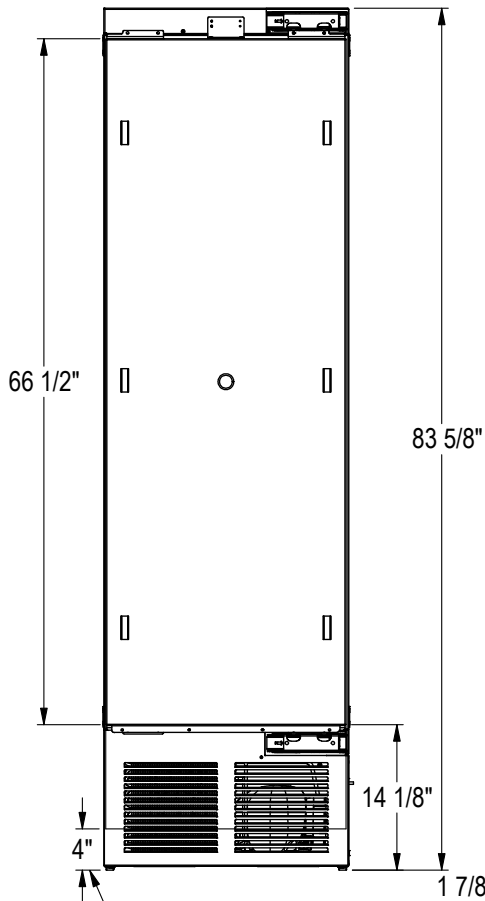


Max clearance required for opened door is 49-3/4" when opened to 90°* (dimensions shown are without door overlay installed.)

(Please note that door opens to 115°.)

*90° achieved when included hinge stop pin is installed. Pin must be installed prior to full integration.

PLEASE NOTE: When installing column adjacent to wall, a 2" clearance is required if door opens towards the wall.



OVERLAY TEMPLATE DIMENSIONAL LIMIT

DOOR PANEL 5/8"

CABINET OPENING

