



**24" FREEZER COLUMN**  
Panel Ready



eco friendly  
R600a Refrigerant



Solid Door Model

JOB	
AREA	
ITEM NO.	
MODEL NO.	

MODELS	DESCRIPTION
CR24F-1-2L	Freezer, solid overlay ready, hinged left
CR24F-1-2R	Freezer, solid overlay ready, hinged right

**KEY PRODUCT FEATURES AND BENEFITS**

- PerliQ™ touch screen control panel disappears into the background until awoken for a modern look
- Customize temperature, activate sabbath mode, or adjust lighting with the sleek PerliQ™ Control panel
- All stainless steel interior provides a hygienic, easy-to-clean, and beautiful cabinet
- Full extension, all stainless steel bins provide easy access to items stored in the lower half of the cabinet
- Energy efficient and eco-friendly R600a refrigerant has zero ozone depletion potential and is up to 30% more efficient than systems using R134a
- Industry-exclusive removable freezer deck allows freezer system to be removed and replaced with a new deck without the need to uninstall unit

**Quick Features:**

- Roll-on theatre lighting brightly illuminates cabinet – adjust brightness with five built-in settings
- Integrated design comes ready to accept custom panel and hardware – stainless steel panels available (ordered separately)
- 13.2 cu. ft. of storage capacity
- Full three year warranty plus additional nine years on sealed system



**24" FREEZER COLUMN**  
Panel Ready

MODEL NUMBERS		CR24F-1-2L	CR24F-1-2R
MODEL DESCRIPTION		Freezer, solid overlay ready, hinged left	Freezer, solid overlay ready, hinged right
APPLIANCE EXTERIOR DIMENSIONS	Width - in.	23-3/4"	23-3/4"
	Depth - in.	24"***	24"***
	Height - in.	83-5/8"	83-5/8"
OPENING DIMENSIONS	Width - in.	24"	24"
	Depth - in.	25"***	25"***
	Height - in.	84"	84"
DEPTH WITH DOOR OPEN		49-3/4" (less door overlay installed)	49-3/4" (less door overlay installed)
INTERNAL VOLUME Net. Cu. Ft.		13.2 cu. ft.	13.2 cu. ft.
SHIPPING WEIGHT Lbs.		443 lbs	443 lbs
ELECTRICAL SPECIFICATIONS	Electrical Supply	115 VAC/60 Hz/1 Ph	115 VAC/60 Hz/1 Ph
	Running Load Amps	3.3 amps	3.3 amps
	Electrical Service	15 amp dedicated circuit	15 amp dedicated circuit
	Cord Plug Type	NEMA 5-15 plug, 5' /3 prong grounding-type	NEMA 5-15 plug, 5' /3 prong grounding-type
FREEZER SPECIFICATIONS	Refrigerant	R600a (53g)	R600a (53g)
	Main Compartment Temperature Settings F°(C°)	Factory set to 0° (range -10°-10°F)	Factory set to 0° (range -10°-10°F)
Ambient Condition†		F° 70 80 90 RH% 80 78 75	F° 70 80 90 RH% 80 78 75

\*Leveling legs allow for up to 3/4" of additional height. Leveling appliance correctly will lead to less door adjustments required.

\*\*Depth does not include door panel, minimum 5/8" door panel is required, see installation instructions for full door panel details.

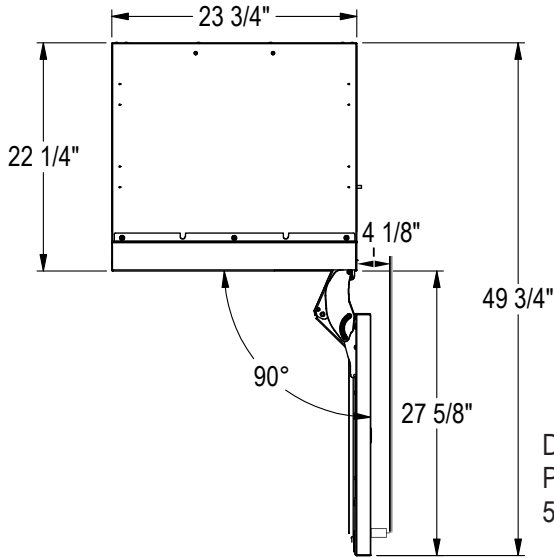
† In extreme ambient conditions that exceed those in the corresponding table, condensation may start to form on the front face of the cabinet. Condensation will subside as ambient temperature (F°) and relative humidity (RH%) lower to levels shown in table.

**ACCESSORIES**

- Dual installation kits
- Stainless steel exterior side finishing panels
- Stainless steel door panels with Perlick Pro Handle

Perlick accessories are available for purchase through an authorized Perlick dealer. For a full list of accessories and to find a dealer near you, visit [perlick.com](http://perlick.com).

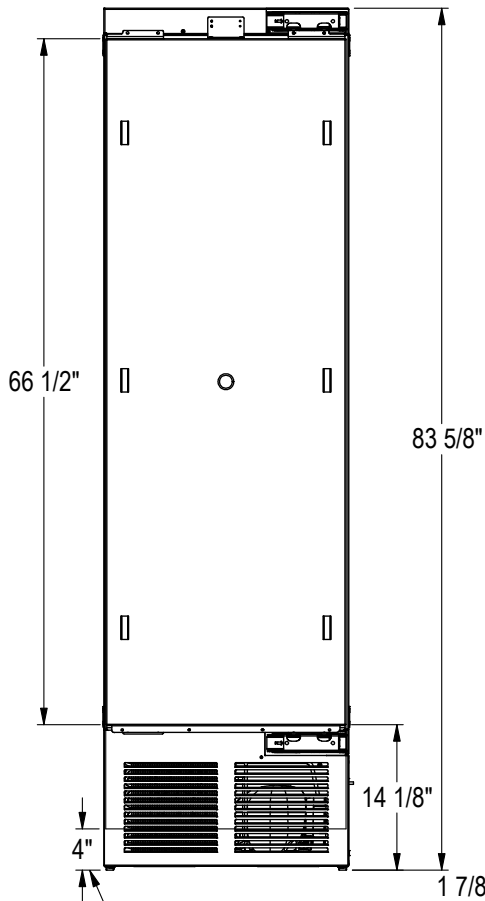
**Perlick®** 24" FREEZER COLUMN  
Panel Ready



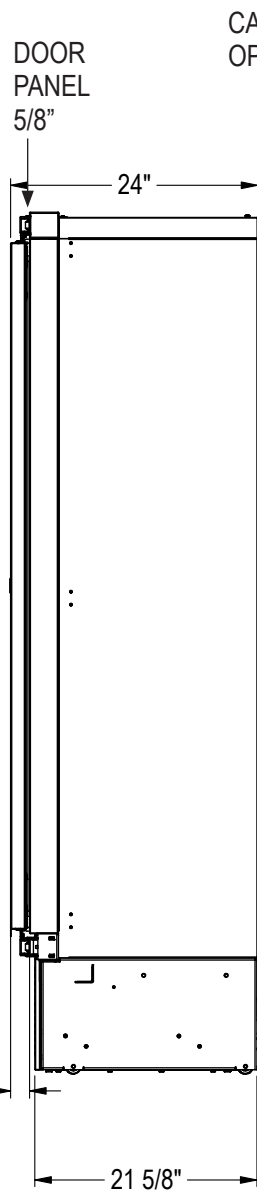
Max clearance required for opened door is 49-3/4" when opened to 90°\* (dimensions shown are without door overlay installed.)

PLEASE NOTE: Door opens that door opens to 115°.

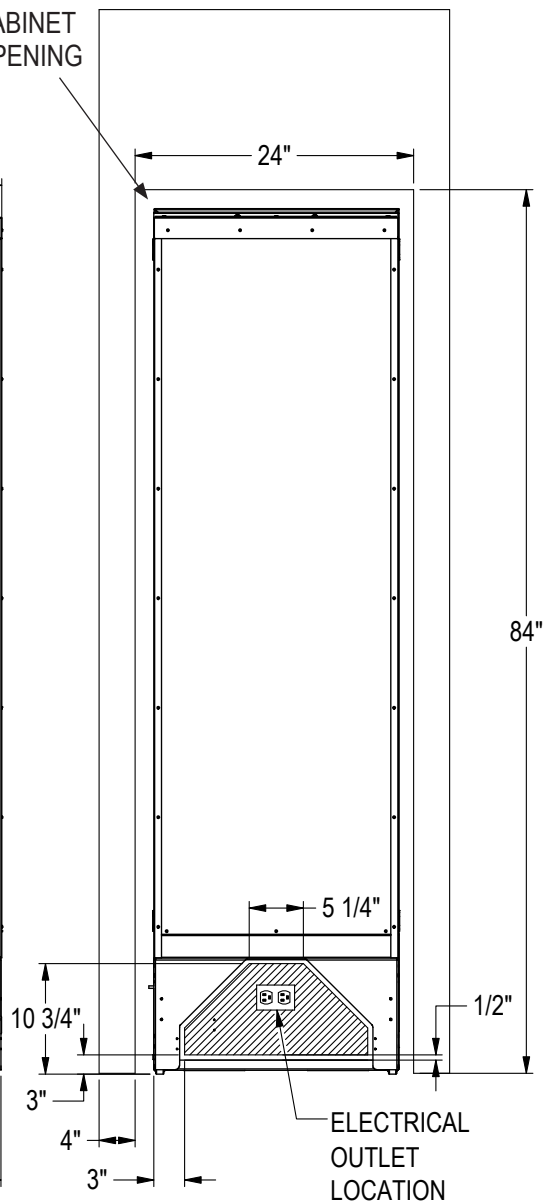
\*90° achieved when included hinge stop pin is installed. Pin must be installed prior to full integration



OVERLAY TEMPLATE DIMENSIONAL LIMIT



CABINET OPENING



ELECTRICAL OUTLET LOCATION