



24" REFRIGERATOR COLUMN
Panel Ready



eco friendly
R600a Refrigerant



Solid Door Model

JOB	
AREA	
ITEM NO.	
MODEL NO.	

MODELS	DESCRIPTION
CR24R-1-2L	Refrigerator, solid overlay ready, hinged left
CR24R-1-2R	Refrigerator, solid overlay ready, hinged right

KEY PRODUCT FEATURES AND BENEFITS

- Industry-exclusive QuatroCool™ advanced preservation system provides four separate micro zones that allow independent control of temperature, humidity, and air quality to optimize freshness
- Each zone will maintain to within 1°F of set point to keep food fresh longer
- PerliQ™ touch screen control panel disappears into the background until awoken for a modern look
- Customize temperature, activate sabbath mode, or adjust lighting with the sleek PerliQ™ Control panel – Smart temperature settings for deli, meat/fish, and fresh produce
- All stainless steel and glass interior provides a hygienic, easy-to-clean, and beautiful preservation cabinet
- Industry-exclusive tip-out bin with Smart Humidity monitors and adjusts the humidity level to keep leafy greens fresh longer
- Energy efficient and eco-friendly R600a refrigerant has zero ozone depletion potential and is up to 30% more efficient than systems using R134a

Quick Features:

- Frameless spill-proof shelving contains spills with hydro-phobic barrier
- Slide-in stainless steel pans provide space for marinating, storing pre-made appetizers, or storing sous vide packets
- Carbon air filtration removes odors that could be absorbed by surrounding foods
- Roll-on theatre lighting brightly illuminates cabinet, adjust brightness with 5 built-in settings
- Integrated design comes ready to accept custom panel and hardware, stainless steel panels available (ordered separately)
- 13.2 cu. ft. of storage capacity
- Full three year warranty plus additional nine years on sealed system

Form No. Z2502
Rev 09.05.23



24" REFRIGERATOR COLUMN
Panel Ready

MODEL NUMBERS		CR24R-1-2L	CR24R-1-2R
MODEL DESCRIPTION		Refrigerator, solid overlay ready, hinged left	Refrigerator, solid overlay ready, hinged right
OVERALL DIMENSIONS	Width - in.	23-3/4"	23-3/4"
	Depth - in.	24"	24"
	Height - in.	83-5/8"	83-5/8"
OPENING DIMENSIONS	Width - in.	24"	24"
	Depth - in.	25"	25"
	Height - in.	84"	84"
DEPTH WITH DOOR OPEN		49-3/4" (less door overlay installed)	49-3/4" (less door overlay installed)
INTERNAL VOLUME Net. Cu. Ft.		13.2 cu. ft.	13.2 cu. ft.
SHIPPING WEIGHT Lbs.		486 lbs	486 lbs
ELECTRICAL SPECIFICATIONS	Electrical Supply	115 VAC/60 Hz/1 Ph	115 VAC/60 Hz/1 Ph
	Running Load Amps	3.2 amps	3.2 amps
	Electrical Service	15 amp dedicated circuit	15 amp dedicated circuit
	Cord Plug Type	NEMA 5-15 plug, 5' / 3 prong grounding-type	NEMA 5-15 plug, 5' / 3 prong grounding-type
TEMPERATURE RANGES	Refrigerant	R600a (53 g)	R600a (53 g)
	Main Compartment	Factory set to 38° (range 34°-42°F)	Factory set to 38° (range 34°-42°F)
	Deli Drawer	Factory set to 33° (range 32°-37°F)	Factory set to 33° (range 32°-37°F)
	Meat/Fish Drawer	Fish factory set to 33° (range 32°-37°F) Meat factory set to 35° (range 32°-37°F)	Fish factory set to 33° (range 32°-37°F) Meat factory set to 35° (range 32°-37°F)
	Tip-Out Produce Bin	Factory set to 35° (range 32° -37°F)	Factory set to 35° (range 32° -37°F)

*Leveling legs allow for up to 3/4" of additional height. Leveling appliance correctly will lead to less door adjustments required.

**Depth does not include door panel, minimum 5/8" door panel is required, see installation instructions for full door panel details

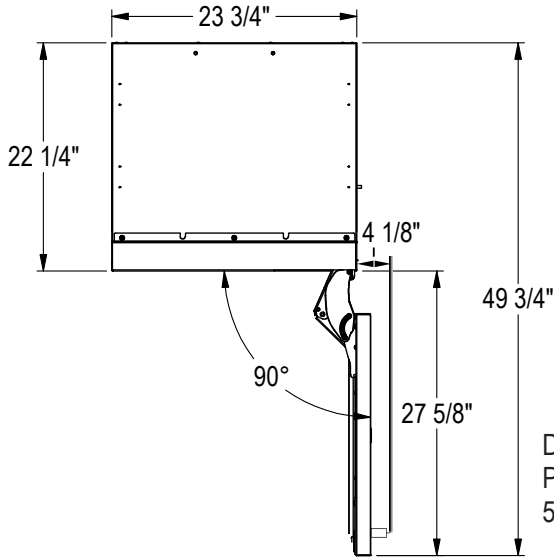
ACCESSORIES

- Dual installation kits
- Stainless steel exterior side finishing panels
- Stainless steel door panels with Perlick Pro Handle

Perlick accessories are available for purchase through an authorized Perlick dealer. For a full list of accessories and to find a dealer near you, visit perlick.com.



24" REFRIGERATOR COLUMN
Panel Ready

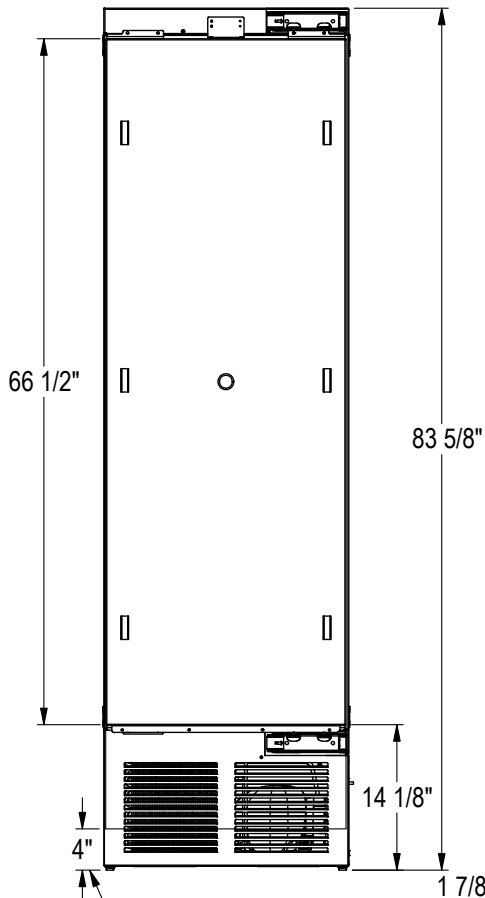


Max clearance required for opened door is 49-3/4" when opened to 90°* (dimensions shown are without door overlay installed.)

PLEASE NOTE: Door opens to that door opens to 115° without hinge pin installed.

*90° achieved when included hinge stop pin is installed. Pin must be installed prior to full integration.

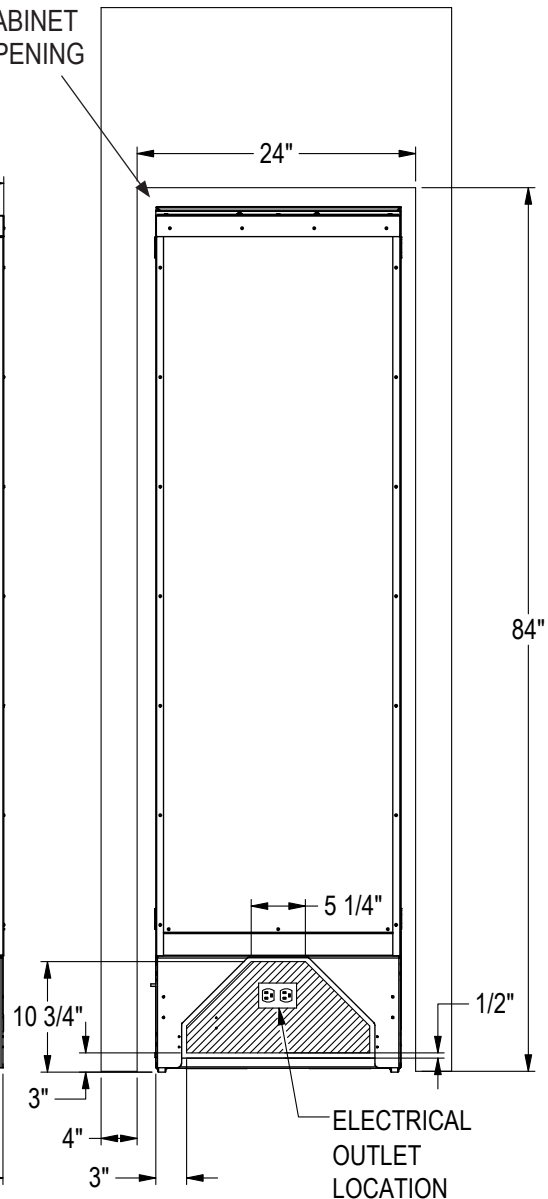
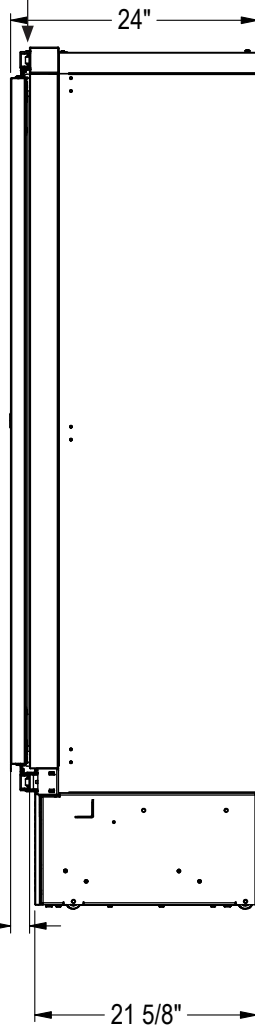
PLEASE NOTE: When installing column adjacent to wall, a 2" clearance is required if door opens towards the wall.



OVERLAY TEMPLATE DIMENSIONAL LIMIT

DOOR PANEL 5/8"

CABINET OPENING



ELECTRICAL OUTLET LOCATION