



**LOW HEIGHT SELF-CONTAINED BACK BAR REFRIGERATOR**  
1-, 2-, 3- and 4-Door



**eco friendly**  
R290 Hydrocarbon Refrigerant



**BBSLP60 with stainless steel door shown**

JOB	
AREA	
ITEM NO.	
MODEL NO.	

MODELS	
BBSLP36	1-Door Model
BBSLP60	2-Door Model
BBSLP84	3-Door Model
BBSLP108	4-Door Model

NSF/ANSI Standard 7 Listed for open food storage.  
*Note: Models furnished with wine temperature are listed for the storage and display of bottled and canned products only.*

MODEL NUMBERS - BBSLP36, BBSLP60, BBSLP84, BBSLP108

**KEY PRODUCT FEATURES AND BENEFITS**

- Low Profile 29" total height, designed for areas where space constraints do not allow for a standard height
- Stainless steel interior and top standard on all Perlick Back Bar refrigeration for long life durability and easy to clean hygienic storage
- 2" foamed-in-place eco-friendly insulation provides energy savings with zero ozone depletion
- NSF/ANSI Standard 7 Listed for open food, beverage, and garnish storage
- End wall compressor and evaporator design increases storage capacity by 14% compared to top mounted designs
- Anti-Sweat heaters in cabinet face prevents condensation from forming on door, extending door gasket life and protecting flooring below from damage or slip hazards
- Multiple door styles available in any compartment
  - Choose between Glass, Stainless-Steel, Black Vinyl, or Customer Provided Overlay
  - Drawers not available on low profile models

**Quick Features:**

- Integrated door locks standard on all units
- Choose compressor mounted on left or right side of cabinet to match your space
- NSF Rated digital controller allows for easy and precise temperature changes
- Choose between three temperature ranges
  - Refrigerator (34°F-42°F) Factory set to 38°F
  - White Wine (40°F-65°F) Factory set to 45°F
  - Red Wine (40°F-65°F) Factory set to 60°F
- Choose between 6000K white LED lighting or cool blue display lighting
- Choose between Full Length, 6" Chrome, or pull tab style handles
- Choose between flat shelving and wine racks for each compartment
- 1 Year Parts and Labor Warranty, 5 Year Compressor Warranty



**LOW HEIGHT SELF-CONTAINED BACK BAR REFRIGERATOR**  
 1-, 2-, 3- and 4-Door

MODEL NUMBERS - BBSLP36, BBSLP60, BBSLP84, BBSLP108

MODEL NUMBERS		BBSLP36	BBSLP60	BBSLP84	BBSLP108
<b>NUMBER OF COMPARTMENTS</b>		1	2	3	4
<b>EXTERIOR CABINET DIMENSIONS</b>	<b>Length - in. (mm)</b>	36 (914)	60 (1524)	84 (2134)	108 (2743)
	<b>Depth - in. (mm)</b>	24¾ (629)	24¾ (629)	24¾ (629)	24¾ (629)
	<b>Height - in. (mm)</b>	29 (736)	29 (736)	29 (736)	29 (736)
<b>INTERIOR CABINET DIMENSIONS</b>	<b>Length - in. (mm)</b>	20 (508)	44 (1118)	68 (1727)	92 (2337)
	<b>Depth - in. (mm)</b>	18¾ (476)	18¾ (476)	18¾ (476)	18¾ (476)
	<b>Height - in. (mm)</b>	25⅞ (646)	25⅞ (646)	25⅞ (646)	25⅞ (646)
<b>INTERNAL VOLUME Net. Cu. Ft. (Litres)</b>		6.2 (176)	13.3 (377)	20.7 (586)	27.9 (790)
<b>PRODUCT CAPACITY</b>	<b>CASE PACKED - 12 OZ. BOTTLE/CAN</b>	98/196	238/448	371/721	504/973
	<b>STAGGERED - 12 OZ. BOTTLE/CAN</b>	112/220	268/268	420/812	572/1100
<b>SHIPPING WEIGHT Lbs. (kg.)</b>		223 (101)	300 (136)	431 (195)	590 (267)
<b>ELECTRICAL SPECIFICATIONS</b>	<b>Electrical Supply</b>	120 VAC/60 Hz/1 Ph	120 VAC/60 Hz/1 Ph	120 VAC/60 Hz/1 Ph	120 VAC/60 Hz/1 Ph
	<b>Running Load Amps</b>	1.8	2.5	4.2	4.2
	<b>Electrical Connection</b>	Cord connected	Cord connected	Cord connected	Cord connected
	<b>Cord Plug Type</b>	NEMA 5-15	NEMA 5-15	NEMA 5-15	NEMA 5-15
	<b>Cord Length</b>	6'5"	6'5"	6'5"	6'5"
	<b>Defrost Initiation</b>	Automatic	Automatic	Automatic	Automatic
	<b>Defrost Type</b>	Off cycle	Off cycle	Off cycle	Off cycle
	<b>Thermostat</b>	Digital control	Digital control	Digital control	Digital control
	<b>Lighting Type</b>	LED	LED	LED	LED
<b>REFRIGERATION SPECIFICATIONS</b>	<b>Horsepower</b>	1/6	1/5	1/4	1/4
	<b>Refrigerant</b>	R290	R290	R290	R290
	<b>Refrigerant Charge (grams)</b>	90	100	90	90
	<b>Heat Rejection at 75F</b>	900	1900	1900	2300
	<b>Factory Temperature Setting - Refrigerator F (C)</b>	36° (2.2°)	36° (2.2°)	36° (2.2°)	36° (2.2°)
	<b>Temperature Range - Refrigerator F (C)</b>	33°-46° (0.5°-7.7°)	33°-46° (0.5°-7.7°)	33°-46° (0.5°-7.7°)	33°-46° (0.5°-7.7°)
	<b>Factory Temperature Setting - White Wine F (C)</b>	45° (7.2°)	45° (7.2°)	45° (7.2°)	45° (7.2°)
	<b>Factory Temperature Setting - Red Wine F (C)</b>	60° (15.5°)	60° (15.5°)	60° (15.5°)	60° (15.5°)
	<b>Temperature Range - Wine F (C)</b>	40°-65° (4.4°-18.0°)	40°-65° (4.4°-18.0°)	40°-65° (4.4°-18.0°)	40°-65° (4.4°-18.0°)
	<b>Condensing Unit Location</b>	Left or Right	Left or Right	Left or Right	Left or Right
	<b>Expansion Device</b>	Capillary tube	Capillary tube	Capillary tube	Capillary tube
	<b>Pull-Out Condensing Unit</b>	Yes	Yes	Yes	Yes
	<b>Front Vented</b>	Yes	Yes	Yes	Yes

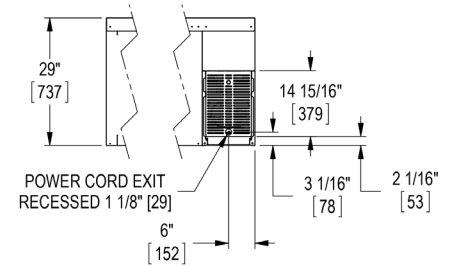
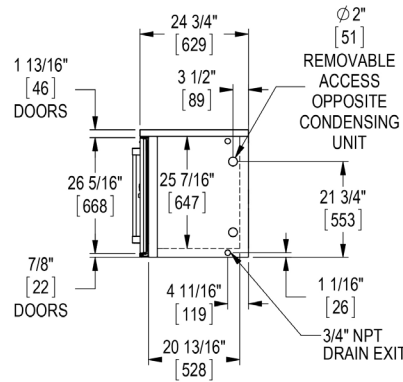
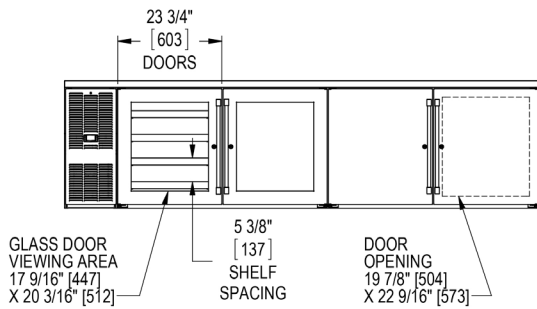
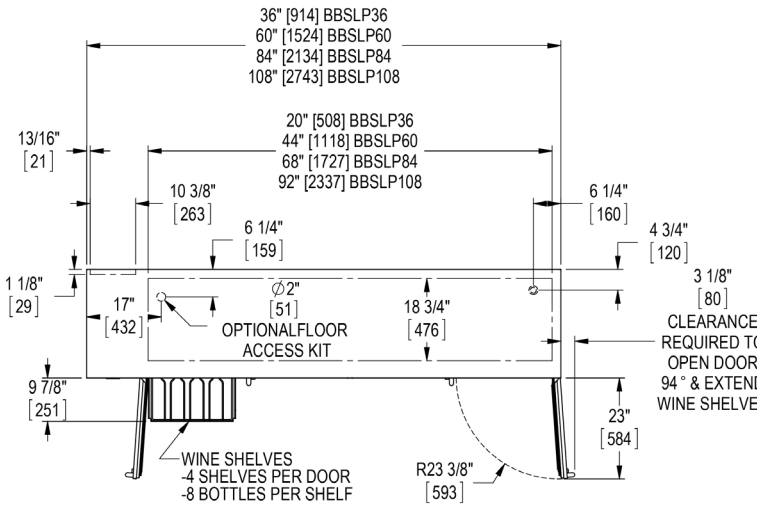
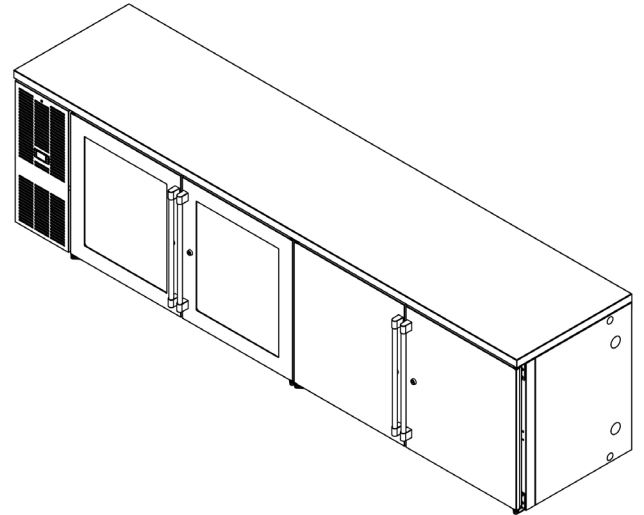
Wine Temperature refrigerators do not carry NSF Rating for open food storage.  
 Wine Temperature units are NSF certified for non-potentially hazardous bottled and canned beverage storage.



**LOW HEIGHT SELF-CONTAINED BACK BAR REFRIGERATOR**  
1-, 2-, 3- and 4-Door

Note: Open floor drain not provided on models intended for non-packaged food.

**Low Height Self-Contained Back Bar**



**! WARNING: California Prop 65 Notice**

These products may expose you to chemicals including Chromium, which are known to the state of California to cause cancer and birth defects or other reproductive harm. For more information on whether a product in this list contains these chemicals, please refer to the specific product page at [perlick.com](http://perlick.com). Or to find out more about Prop 65, go to [P65Warnings.ca.gov](http://P65Warnings.ca.gov).

Form No. Z2427  
Rev. 09.08.23