



SIGNATURE SERIES ICE CHEST WITH COLD PLATE
 24"-42" Wide



TSC36IC10
 Shown with optional ice covers

JOB
AREA
ITEM NO.
MODEL NO.

MODELS
TSC Series
TSC24IC10
TSC30IC10
TSC36IC10
TSC42IC10

MODEL NUMBERS - TSC24IC10, TSC30IC10, TSC36IC10, TSC42IC10

KEY PRODUCT FEATURES AND BENEFITS

- Dent-resistant ABS top ledge for longer life
- Optional "clip-on" ice dividers create separated ice storage to keep all your cube sizes right at your finger tips
- Unique design allows the bartender to stand closer to their work counter and guests
- Raised work height improves ergonomics and reduces reaching and bending
- Stainless steel legs install without tools and have adjustable rust-free thermoplastic feet
- Polished stainless interior for easier cleanability and highest sanitary rating

Quick Features:

- Shallower depth allows the bartender to stand closer to their work counter and guests
- Dent-resistant ABS top ledge for better resilience in a fast paced working bar
- Highest rated foamed-in-place insulated walls

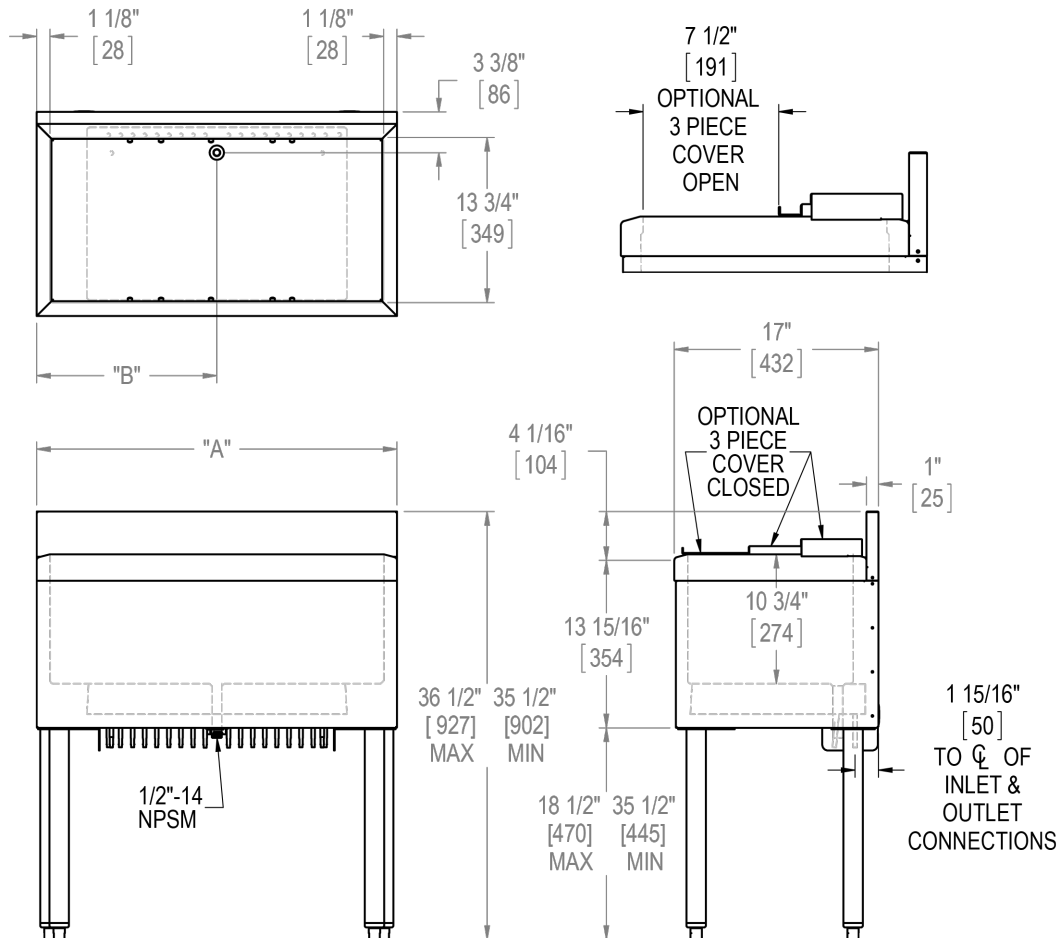


SIGNATURE SERIES ICE CHEST WITH COLD PLATE
24"-42" Wide

MODEL NUMBERS - TSC24IC10, TSC30IC10, TSC36IC10, TSC42IC10

MODEL NOS.		TSC24IC10	TSC30IC10	TSC36IC10	TSC42IC10
DIMENSIONS: EXTERIOR (mm)	LENGTH IN. (mm)	24 (610)	30 (762)	36 (914)	42 (1067)
	ICE CAP. lbs. (kg)	50 (22.7)	64 (27.2)	78 (35.4)	92 (41.7)
	SHIP WT. lbs (kg)	130 (60)	140 (63.5)	150 (68.0)	160 (72.6)
CONSTRUCTION		All Stainless steel with ABS top rim TSC Series: Stainless steel 6" high (4" optional) with 1" return at top, mechanically fastened and sealed to ice chest top. TSD Series: Not applicable			
COVERS*		Stainless steel, three-piece, removable			
INTERIOR		Stainless steel with 1/4" radius corners, welded and sealed with non-exposed cold plate. Interiors can be divided with accessory "clip-on" ice dividers			
INSULATION		Foamed-in-place polyurethane			
COLD PLATE		Cast aluminum plate concealed under ice chest liner. Cold plate has 2 full-length circuits and 8 half-length circuits. Connections - 5/16" O.D. stainless steel tubing with swaged end to accept standard 1/4" I.D. beverage tubing			
OPERATING SPECIFICATIONS		Each full circuit will deliver four 6 oz. drinks per minute at 40° continuously, or 40 oz. every three minutes in a single draw (flow rate 2 oz./sec, 75° product)			
LEGS		1-5/8" tubular, stainless steel with 1" adjustable thermoplastic foot (4 legs are standard)			
PLUMBING		Drain connection- 1/2" - 14 NPSM male			
ACCESSORIES		Three-piece covers, "clip-on" dividers and bottle tray			

*Note: Covers not included.



Form No. Z2386
 Rev 10.01.21