

Perlick **REMOTE BACK BAR REFRIGERATOR**
 1-, 2-, 3- and 4-Door (Standard)



BBR96 shown

JOB	
AREA	
ITEM NO.	
MODEL NO.	

MODELS	
BBR24	1-Door Model
BBR48	2-Door Model
BBR72	3-Door Model
BBR96	4-Door Model

NSF/ANSI Standard 7 Listed for open food storage.
 Note: Models furnished with wine temperature are listed for the storage and display of bottled and canned products only.

KEY PRODUCT FEATURES AND BENEFITS

- Remote back bar refrigerators allow customers to mount the compressor in an alternate location, ideal for remote servicing and noise isolation
- Stainless steel interior and top standard on all Perlick Back Bar refrigeration for long life durability and easy to clean hygienic storage
- 2" foamed-in-place eco-friendly insulation provides energy savings with zero ozone depletion
- NSF/ANSI Standard 7 Listed for open food, beverage, and garnish storage
- Anti-sweat heaters in cabinet face prevents condensation from forming on door, extending door gasket life and protecting flooring below from damage or slip hazards
- Multiple door styles available in any compartment
 - Choose between Glass, Stainless-Steel, Black Vinyl, or Customer Provided Overlay
 - Drawers not available on remote models

Quick Features:

- Configurable to accommodate tapping from any compartment
- Integrated door locks standard on all units
- Optional condensing units available
- NSF Rated digital controller allows for easy and precise temperature changes
- Choose between three temperature ranges
 - Refrigerator (34°F-42°F) Factory set to 38°F
 - White Wine (40°F-65°F) Factory set to 45°F
 - Red Wine (40°F-65°F) Factory set to 60°F
- Choose between 6000K white LED lighting or cool blue display lighting
- Choose between flat shelving and wine racks for each compartment
- Choose between Full Length, 6" Chrome, or pull tab style handles
- 1 Year Parts and Labor Warranty, 5 Year Compressor Warranty
- Made in USA



REMOTE BACK BAR REFRIGERATOR
1-, 2-, 3- and 4-Door (Standard)

MODEL NUMBERS		BBR24	BBR48	BBR72	BBR96
NUMBER OF DOORS		1	2	3	4
EXTERIOR CABINET DIMENSIONS	Length - in. (mm)	24 (610)	48 (1219)	72 (1829)	96 (2438)
	Depth - in. (mm)	24¾ (629)	24¾ (629)	24¾ (629)	24¾ (629)
	Height - in. (mm)	34¾ (878)	34¾ (878)	34¾ (878)	34¾ (878)
INTERIOR CABINET DIMENSIONS	Length - in. (mm)	20 (508)	44 (1118)	68 (1727)	92 (2337)
	Depth - in. (mm)	18¾ (476)	18¾ (476)	18¾ (476)	18¾ (476)
	Height - in. (mm)	31 (788)	31 (788)	31 (788)	31 (788)
INTERNAL VOLUME Net. Cu. Ft. (Litres)		7.0 (198)	15.3 (433)	23.9 (677)	32.6 (923)
PRODUCT CAPACITY	CASE PACKED - 12 OZ. BOTTLE/CAN	146/249	321/513	523/819	725/1121
	STAGGERED - 12 OZ. BOTTLE/CAN	157/266	346/549	565/879	784/1205
SHIPPING WEIGHT Lbs. (kg.)		162 (73)	286 (130)	386 (175)	527 (239)
ELECTRICAL SPECIFICATIONS	Electrical Supply	120 VAC/60 Hz/1 Ph	120 VAC/60 Hz/1 Ph	120 VAC/60 Hz/1 Ph	120 VAC/60 Hz/1 Ph
	Running Load Amps	1.1	1.6	2	2.5
	Electrical Connection	Hard wired	Hard wired	Hard wired	Hard wired
	Defrost Initiation	Automatic	Automatic	Automatic	Automatic
	Defrost Type	Off cycle	Off cycle	Off cycle	Off cycle
	Lighting Type	LED	LED	LED	LED
REFRIGERATION SPECIFICATIONS	Evaporator Capacity - Remotes	900 Btu/Hr @ 20° F Evaporator	1900 Btu/Hr @ 20° F Evaporator	2300 Btu/Hr @ 20° F Evaporator	2300 Btu/Hr @ 20° F Evaporator
	Remote Refrigerant Options	R134a & R404a	R134a & R404a	R134a & R404a	R134a & R404a
PLUMBING	Evaporator Condensate	Field plumbed	Field plumbed	Field plumbed	Field plumbed

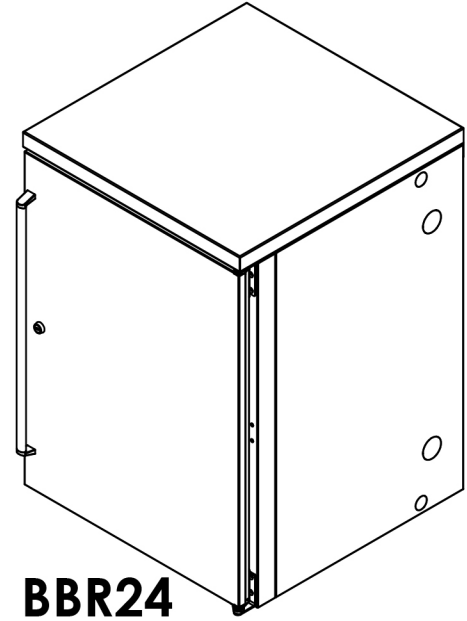
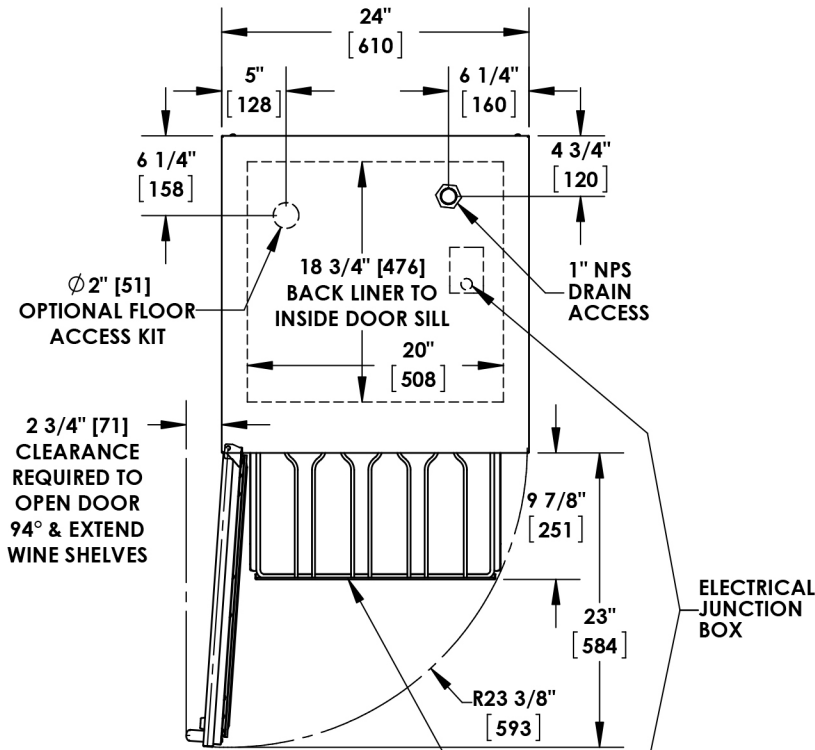
Wine Temperature refrigerators do not carry NSF Rating for open food storage.
 Wine Temperature units are NSF certified for non-potentially hazardous bottled and canned beverage storage.



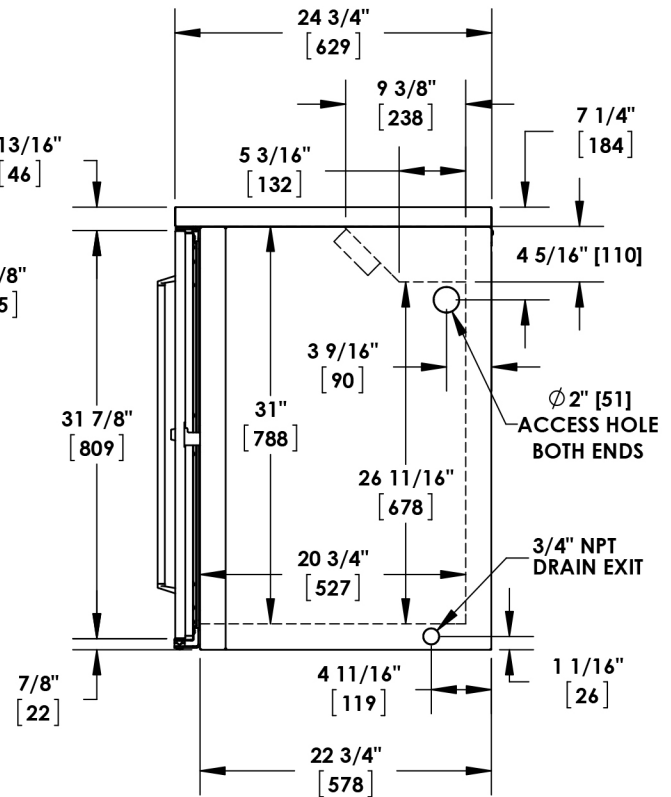
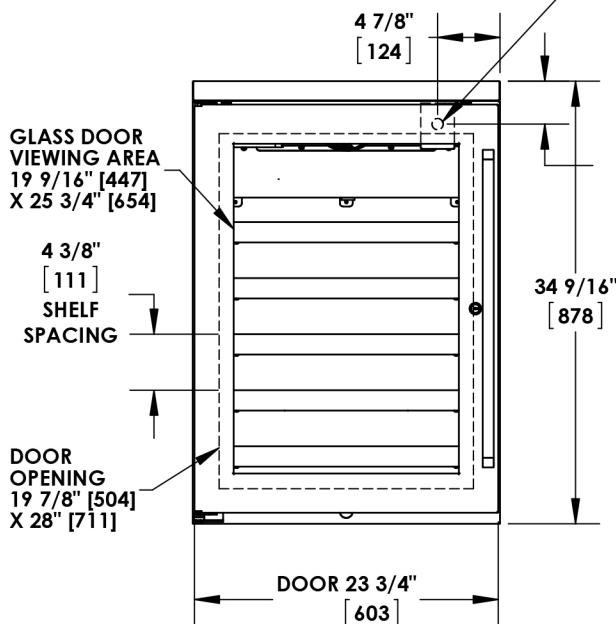
REMOTE BACK BAR REFRIGERATOR

1-, 2-, 3- and 4-Door (Standard)

Note: Open floor drain not provided on models intended for non-packaged food.



WINE SHELVES
- 5 SHELVES
- 8 BOTTLES PER SHELF



California Prop 65 Notice:

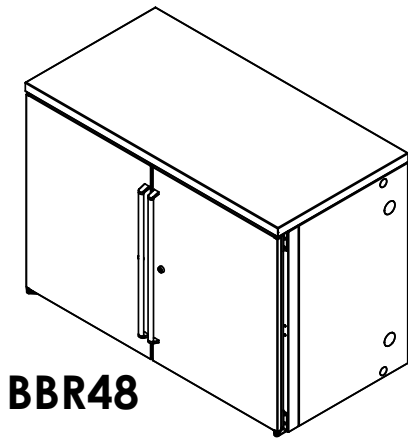
WARNING: The materials used in this product may contain chemicals known to the State of California to cause cancer and birth defects or other reproductive harm. For more information go to www.P65Warnings.ca.gov.

Form No. Z2367
Rev. 04.22.2021

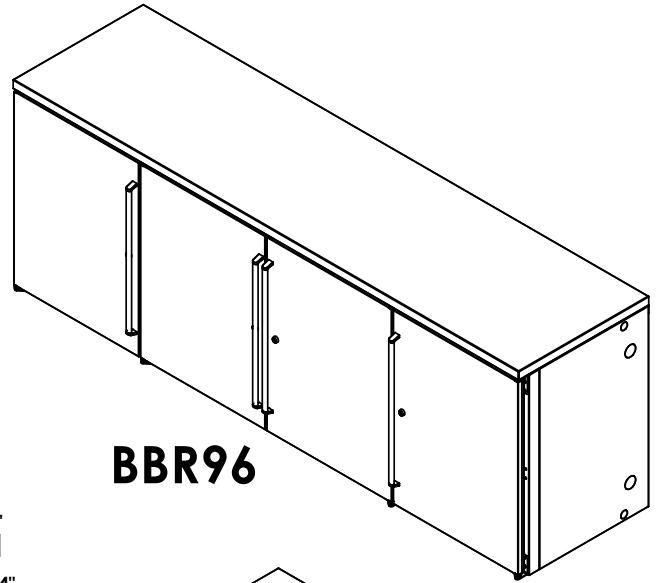
Perlick® REMOTE BACK BAR REFRIGERATOR

1-, 2-, 3- and 4-Door (Standard)

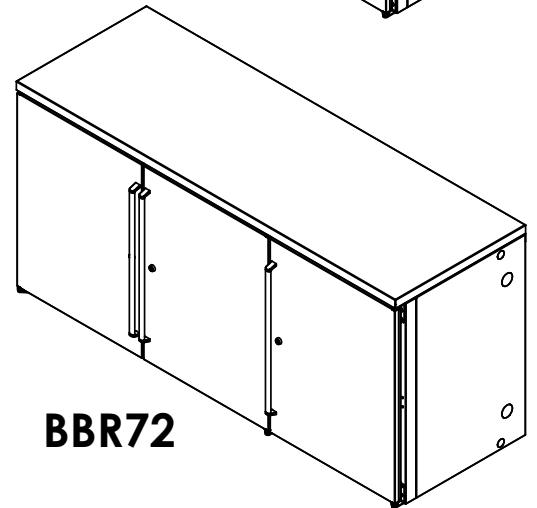
Note: Open floor drain not provided on models intended for non-packaged food.



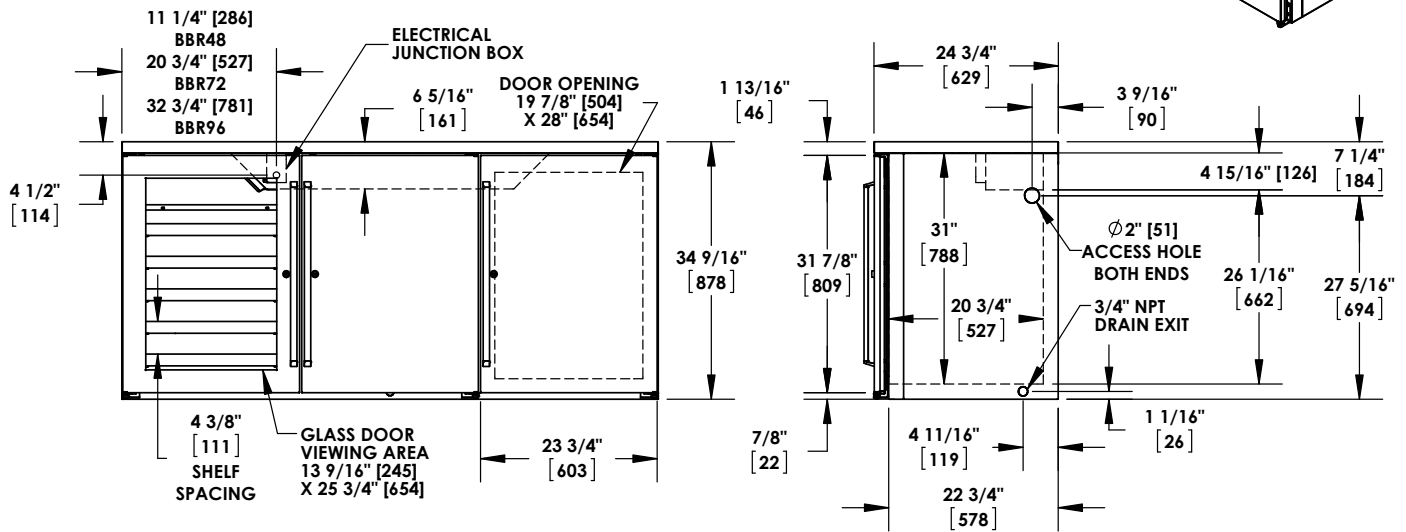
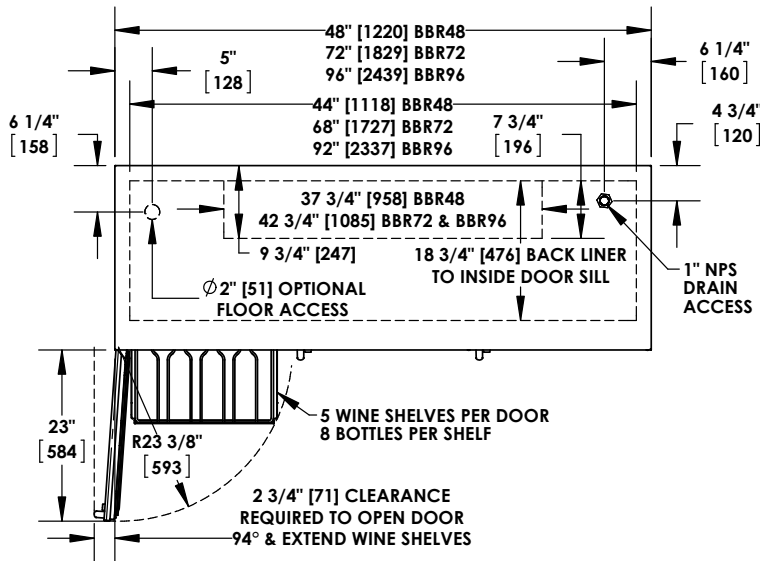
BBR48



BBR96



BBR72



California Prop 65 Notice:

WARNING: The materials used in this product may contain chemicals known to the State of California to cause cancer and birth defects or other reproductive harm. For more information go to www.P65Warnings.ca.gov.

Form No. Z2367
Rev. 04.22.2021