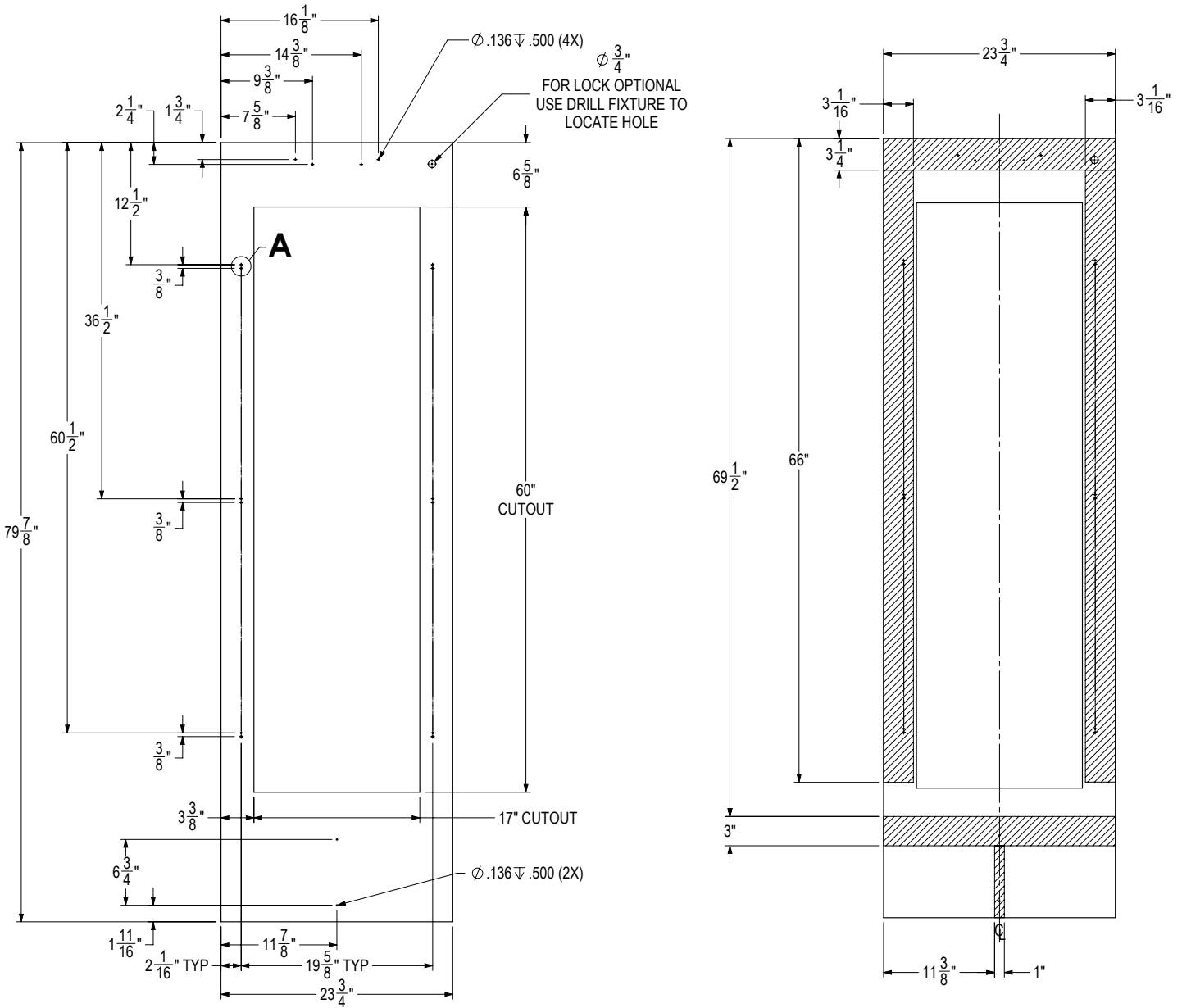


Perlick® WOOD OVERLAY TEMPLATE
4" TOE KICK FOR COLUMN WINE

Perlick 24" Column with Glass Door

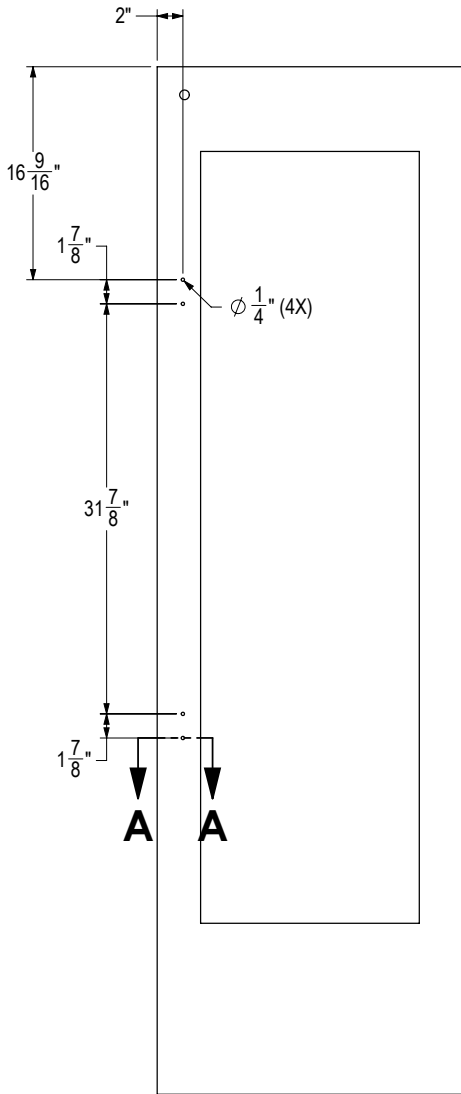


NOTE:
HATCH AREAS SHOULD PROVIDE ENOUGH THICKNESS FOR WOOD SCREW FOR OVERLAY ATTACHMENT BRACKETS.

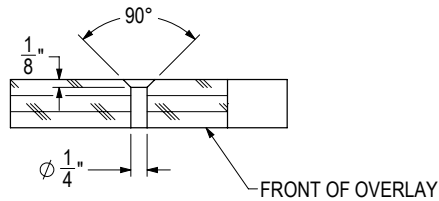


**WOOD OVERLAY TEMPLATE
HANDLE HOLES FOR WINE COLUMN**

**Hole locations for installation of a
standard Perlick 36" Handle (1012860)**



HANDLE HOLES MUST BE COUNTERSUNK



**SECTION A-A
SCALE 1 : 2**

