



UNDERBAR SINKS
MULTI-TANK/EXTRA CAPACITY, SINGLE AND TWO TANK



JOB	
AREA	
ITEM NO.	
MODEL NO.	

MODELS	
TS Series	TSD Series
TS181CA	TSD181CA
TS362CA	TSD362CA



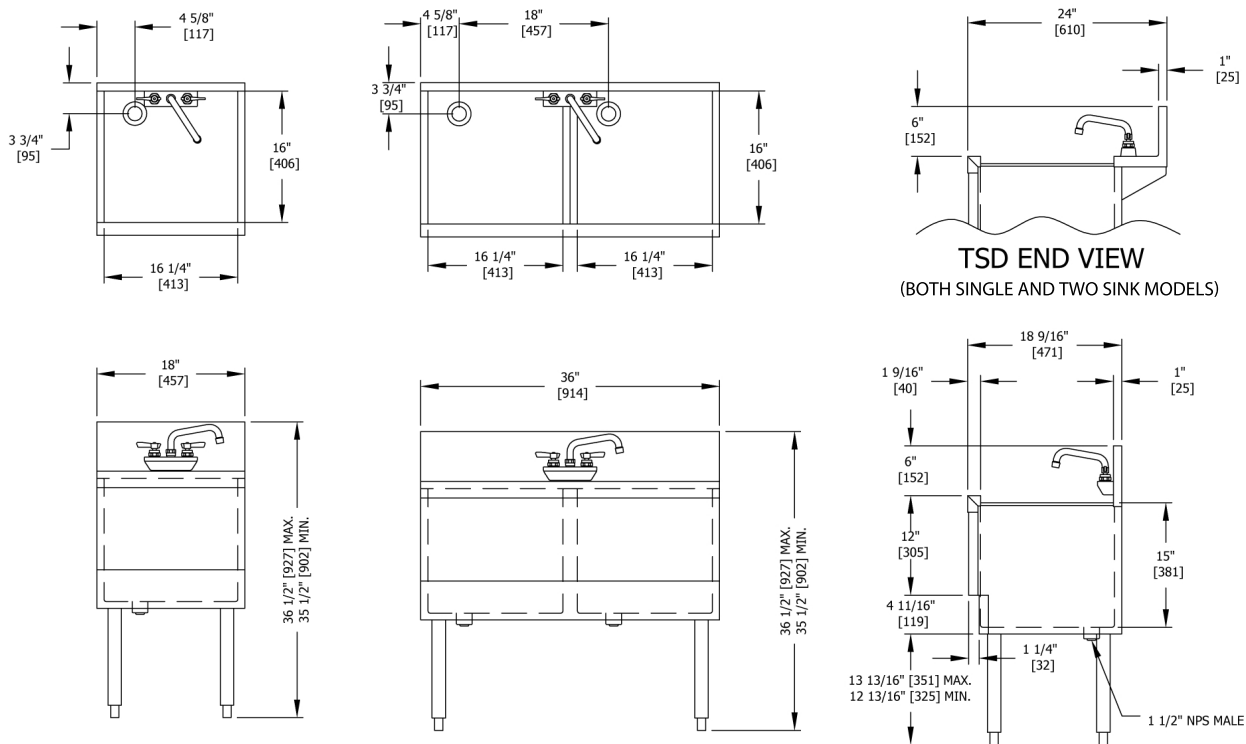
Features

- Additional capacity meets various regional health codes
- NSF listed, commercial grade hot/cold water faucet (must be ordered separately)
- Underside is sound-deadening
- Stainless steel legs install without tools and have rust-free thermoplastic feet



UNDERBAR SINKS
MULTI-TANK/EXTRA CAPACITY, SINGLE AND TWO TANK

MODEL NOS.	TS(D)181CA	TS(D)362CA
LENGTH, INCHES (mm)	18 (457)	36 (914)
NUMBER OF TANKS	1	2
SHIP WEIGHT, LBS. (kg)	105 (48)	155 (70)
GENERAL	All stainless steel parts	
FRONT LEDGE & APRON	20 gauge stainless steel	
BACKSPLASH	6" high (4" high optional) with 1" return at the top, mechanically fastened and sealed to hand sink top with steel support brackets TS Series: 20 gauge stainless steel TSD Series: 5-1/2" rear deck, 20 gauge stainless steel on backsplash and rear deck	
ENDS, BACK & BOTTOM	Stainless steel	
LEGS	1-5/8" tubular, stainless steel with 1" adjustable thermoplastic feet	
RINSE TANK	20 gauge stainless steel, 16"x16-1/4"x15" deep. All horizontal corners have 1/4" radius and vertical corners have 3/16" radius with balled corners. Furnished with 1-1/2" stainless steel drain socket and 12" standpipe. Sound deadening underside.	
WATER FAUCET	Hot and cold, heavy-duty all brass construction, chrome plated. Must be ordered separately. TS Series: Wall mount with 6" swing spout TSD Series: Deck-mount with 6" swing spout	
PLUMBING	Drain connection: 1-1/2" NPS male. Hot and cold water connection 1/4" NPT female.	
ACCESSORIES	Optional lead-free faucet available for both 1 and 2 sink models	



Faucet shown for clarity. Must be ordered separately.