



**GLASS RACK STORAGE CABINET**  
*With Drainboard Top*



JOB	
AREA	
ITEM NO.	
MODEL NO.	

<b>MODELS</b>
7055A-D
7055A

**KEY PRODUCT FEATURES AND BENEFITS**

- 24" glass rack cabinet with drainboard top and rack slides to fit a variety of glass storage needs
- Designed to maximize vertical space in a the underbar area
- Seamlessly fits within the Perlick underbar line up
- Adjustable shelf to allow for taller glass storage when needed
- Fits industry standard 20" x 20" glass racks
- Open front design allows you to quick add or remove glassracks without a door in the way
- Embossed drainboard top keeps glasses close at hand for efficiency

**Quick Features:**

- Embossed stainless steel drainboard top allows for extra storage and quickly drains away water
- Adjustable stainless steel shelf allows you to customize the cabinet to your standard glassware
- Stainless steel legs for long life and durability
- Reinforced sound deadened work surfaces for quiet operation

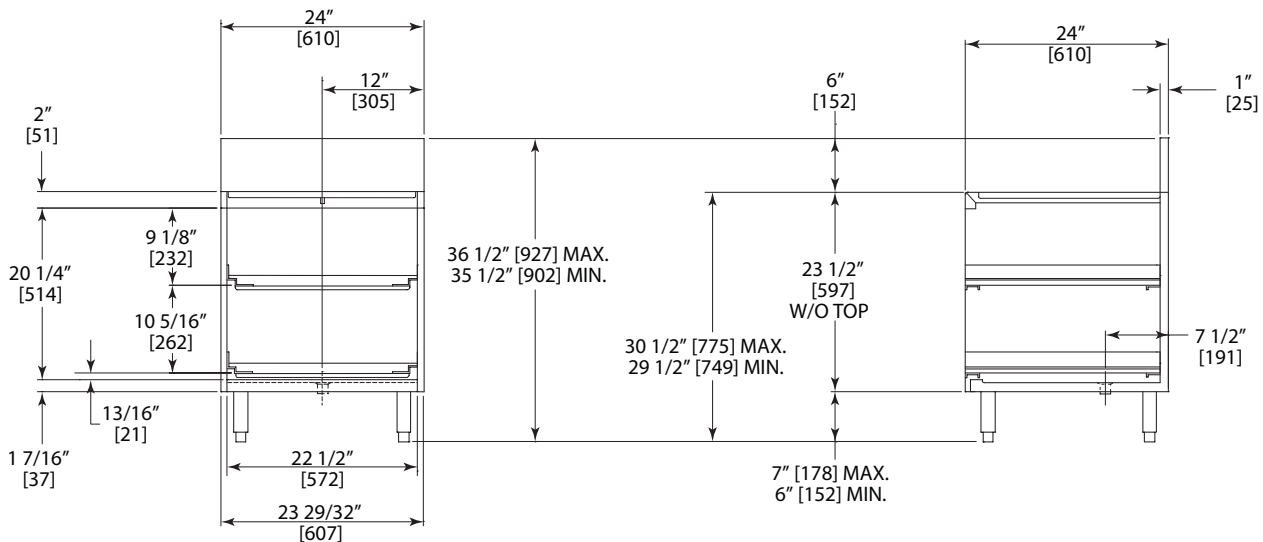
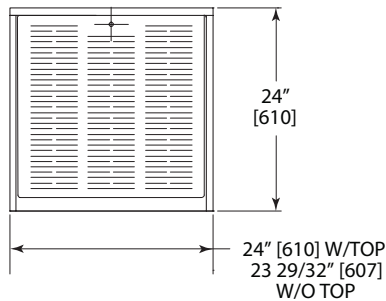
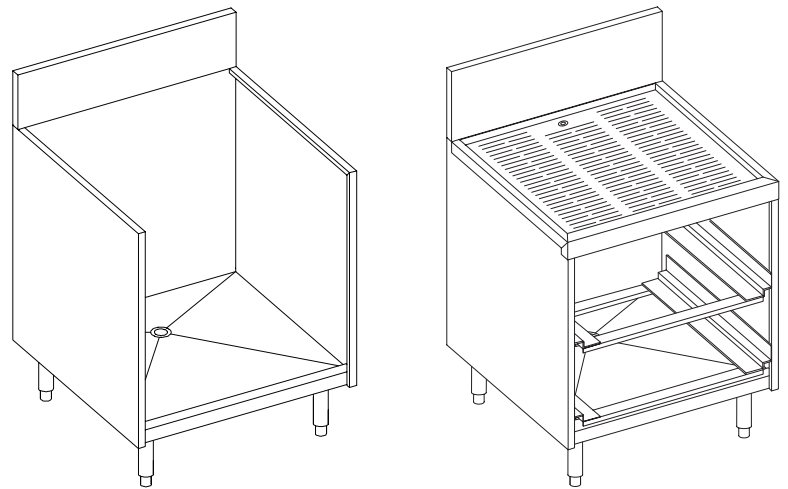


**GLASS RACK STORAGE CABINET**  
With Drainboard Top

MODEL NOS.		7055A	7055A-D
DIMENSIONS	Length Ins. (mm)	24" (610)	24" (610)
	Ship Weight Lbs. (Kg)	50 (23)	65 (30)
MATERIALS	General Parts	Stainless steel	
	Backsplash	Stainless steel 6" high (4" high optional) with 1" return at top, mechanically fastened and sealed with steel support brackets	
	Drainboard	<b>Model No. 7055A-D:</b> Embossed stainless steel, 217/16" deep front to back. All horizontal and vertical edges 1/4" radius with balled corners. Underside reinforced with welded brackets.	
	Legs	15/8" tubular, stainless steel with 1" adjustable stainless steel foot	
	Shelf	Adjustable shelf is reinforced stainless steel	
MECHANICALS	Plumbing	Bin drain-connection: 1-1/2" NPS Male. Drainboard: Drain fitting at rear furnished with 1/2" I.D. flexible hose to drain water at bottom	

**ACCESSORIES**

MODEL NOS.	DESCRIPTION
7055A	7055A5 Drainboard Top 75055A End Splashes 7055-6 Stationary Shelf 7055-7 Glass Rack Slides 7055-10 Slanted Liquor Bracket 7055-77 Glass Back Tray End Splashes
7055A-D	End Splashes



Form No. SB01  
Rev 02.21.22