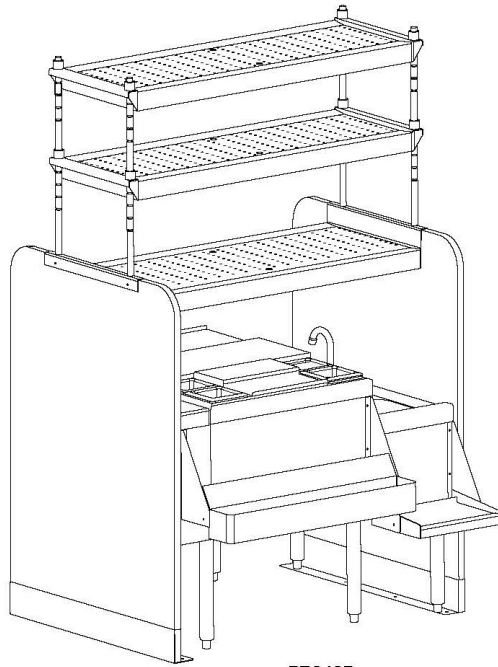




**PASS THRU STATION**  
42" X 32"



PTS42R

JOB	
AREA	
ITEM NO.	
MODEL NO.	

<b>MODELS</b>
PTS42L
PTS42R

**Features:**

- Dual rinse sinks with commercial grade water faucet easily accommodates wet waste.
- Pass-Thru ice bin with 8 circuit cold plate.
- Filler section with access cutout and chase provides opening for beverage lines.
- Stainless steel end panels with floor mounting brackets.
- One fixed and two adjustable over shelves provide abundant and flexible glass storage.
- Stainless steel legs install without tools and have "rust free" thermoplastic feet.

**Perlick®** **PASS THRU STATION**  
**42" X 32"**

MODEL NOS.	PTS42L	PTS42R
LENGTH IN (mm)	42" (1067)	42" (1067)
SHIP WT LBS (kg)	475 (215)	475 (215)
GENERAL	All exterior parts made from stainless steel. Bottom pans, where applicable made from galvanized steel.	
LEGS	1-5/8" tubular, stainless steel with 1" adjustable thermoplastic foot.	
FILLER SECTION	<b>Model No.:</b> PT4CO: <b>Dimensions:</b> 4-1/4" x 32". <b>Chase:</b> 2-3/4" x 6" x 4"	
ICE CHEST	<b>Model No.</b> PT24IC8: <b>Dimensions</b> - 24" x 32": <b>Ice Capacity</b> - 95 lbs., <b>Drain Connection</b> - 1/2" NPS. <b>Bottle Wells</b> - 4 Bottle Wells with 4 piece cover. <b>Cold Plate</b> - 8 circuit cast aluminum plate concealed under ice chest liner. 5/16" O.D. stainless steel tubing with swaged end to accept standard 1/4" I.D. beverage tubing.	
SINK	<b>Model No.</b> PT12S2: <b>Dimensions</b> - 12" x 32": <b>Bowl Size</b> - 105/8" x 95/8" x 6" deep. Undercoated to absorb sound. <b>Drain Connection</b> - 1 1/2" NPS Male. <b>Faucet</b> - Deck mounted, NSF listed, commercial grade hot/cold, chrome plated, goose neck spout. <b>Supply Connection</b> - 1/2" IPS shanks and nuts. <b>Wet Waste Box</b> - 2 perforated plastic 1/4 size pans.	
OVERSHELVES	<b>Fixed Shelf Dimensions</b> - 40-1/4" x 18": <b>Glass Racks</b> - (2) Removable. <b>Drain Connection</b> - 3/8" tailpiece for flexible hose. <b>Adjustable Shelf Dimensions:</b> 40-1/4" x 15". Includes (2) shelves. (4) removable glass racks and stainless steel posts. Self draining - 3/8" tailpiece.	
END PANELS	<b>Dimensions</b> - 32" x 7/8" x 45" high: <b>Finish:</b> Stainless steel. Includes stainless steel floor mounting brackets.	
INCLUDED ACCESSORIES	28" Bottle Rail, hang-on bottle rail (spanning Ice Chest and Filler Section). 12" Blender Shelf mounted to Dual Sink.	
OPTIONAL ACCESSORIES	Ice Chest Condiment Cup Rack, Towel Ring, and Sink Drain Assembly.	

