

**Perlick®** **PRECONFIGURED PASS THRU STATION**  
**42" X 32"**



PTS42R

JOB	
AREA	
ITEM NO.	
MODEL NO.	

<b>MODELS</b>
PTS42L
PTS42R

**KEY PRODUCT FEATURES AND BENEFITS**

- Includes end finish panels to mount the overshelves
- Left and right hand versions available to fit your bar layout
- Designed to efficiently work through the entire cocktail life cycle
- Great for busy environments allowing server staff to prepare soft drinks while bartenders focus on alcoholic drinks
- Sound deadened equipment for quiet operation

**Quick Features:**

- All stainless construction for longevity
- Includes pass thru ice bin with tubing chase, wet waste sink, faucet, and bartender side double speed rail and blender shelf
- Available with 3 overshelves providing plenty of glass storage with in easy reach of the bartender or wait staff



**PRECONFIGURED PASS THRU STATION**  
**42" X 32"**

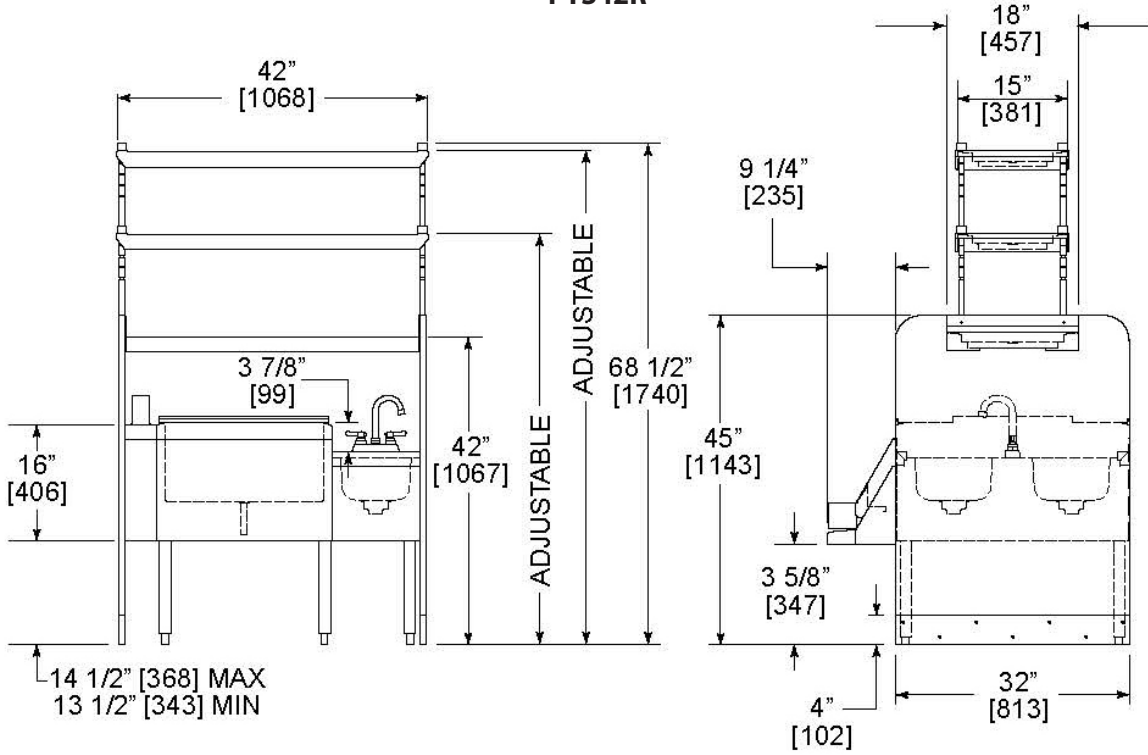
MODEL NUMBERS - PTS42L, PTS42R

MODEL NOS.	PTS42L		PTS42R
<b>DIMENSIONS: EXTERIOR (mm)</b>	<b>Length</b>	42" (1067)	42" (1067)
	<b>Weight Lbs. (kg)</b>	475 (215)	475 (215)
<b>PERLICK BAR EQUIPMENT</b>	<b>General</b>	All exterior parts made from stainless steel. Bottom pans, where applicable made from galvanized steel.	
	<b>Legs</b>	1-5/8" tubular, stainless steel with 1" adjustable thermoplastic foot	
<b>FILLER SECTION</b>	<b>Model No.</b>	PT4CO	
	<b>Dimensions</b>	4-1/4" x 32"	
	<b>Chase</b>	2-3/4" x 6" x 4"	
<b>ICE CHEST</b>	<b>Model No.</b>	PT24IC10	
	<b>Dimensions</b>	24" x 32"	
	<b>Ice Capacity</b>	95 lbs.	
	<b>Drain Connection</b>	1/2" NPS	
	<b>Bottle Wells</b>	4 Bottle wells with 4 piece cover	
	<b>Cold Plate</b>	8 circuit cast aluminum plate concealed under ice chest liner. 5/16" O.D. stainless steel tubing with swaged end to accept standard 1/4" I.D. beverage tubing.	
<b>SINK</b>	<b>Model No.</b>	PT12S2	
	<b>Dimensions</b>	12" x 32"	
	<b>Bowl Size</b>	10-5/8" x 9-5/8" x 6" deep. Undercoated to absorb sound.	
	<b>Drain Connection</b>	1-1/2" NPS Male.	
	<b>Faucet</b>	Deck mounted, NSF listed, commercial grade hot/cold, chrome plated, goose neck spout.	
	<b>Supply Connection</b>	1/2" IPS shanks and nuts	
	<b>Wet Waste Box</b>	2 perforated plastic 1/4 size pans	
<b>OVERSHELVES</b>	<b>Fixed Shelf Dimensions</b>	40-1/4" x 18"	
	<b>Glass Racks</b>	(2) Removable	
	<b>Drain Connection</b>	3/8" tailpiece for flexible hose	
	<b>Adjustable Shelf Dimensions</b>	40-1/4" x 15". Includes (2) shelves. (4) removable glass racks and stainless steel posts. Self draining - 3/8" tailpiece.	
<b>END PANELS</b>	<b>Dimensions</b>	32" x 7/8" x 45" high	
	<b>Finish</b>	Stainless steel. Includes stainless steel floor mounting brackets.	
<b>INCLUDED ACCESSORIES</b>	28" Bottle rail, hang-on bottle rail (spanning ice chest and filler section). 12" Blender shelf mounted to dual sink.		
<b>OPTIONAL ACCESSORIES</b>	Ice chest condiment cup rack, towel ring, and sink drain assembly		



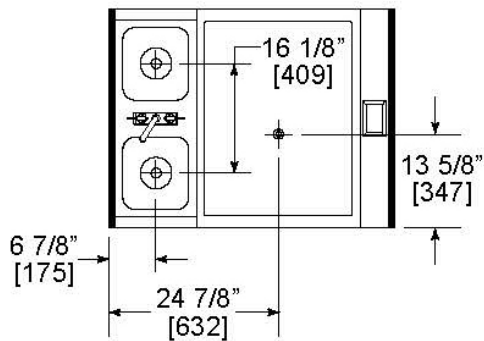
**PRECONFIGURED PASS THRU STATION**  
42" X 32"

**PTS42R**



**PTS42L**

*Top/Left View*



**PTS42R**

*Top/Right View*

