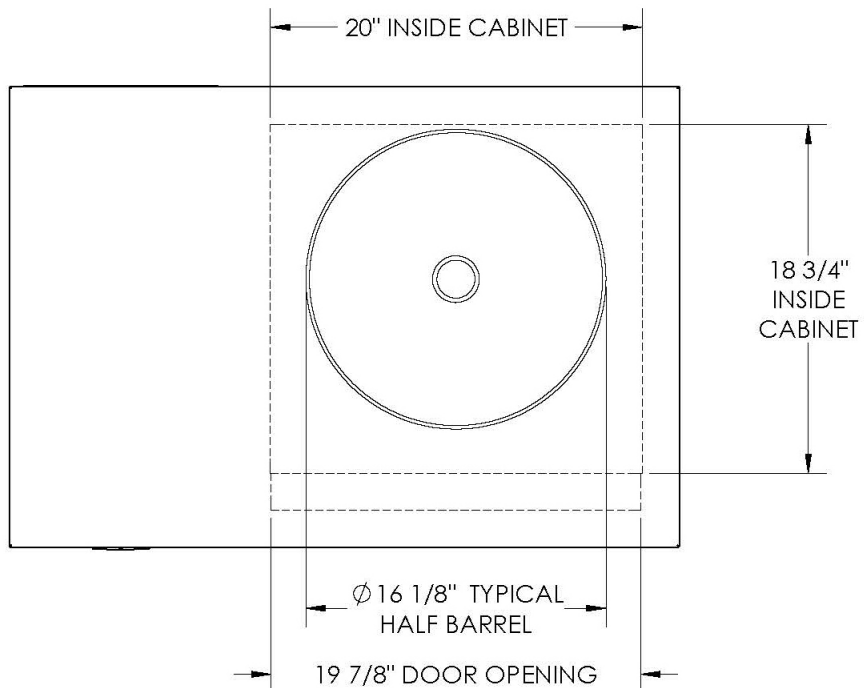
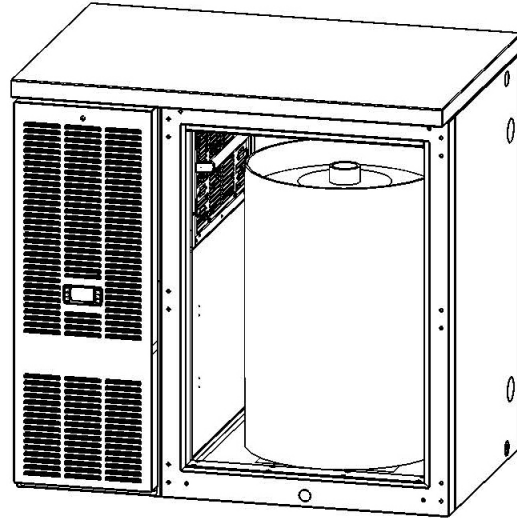


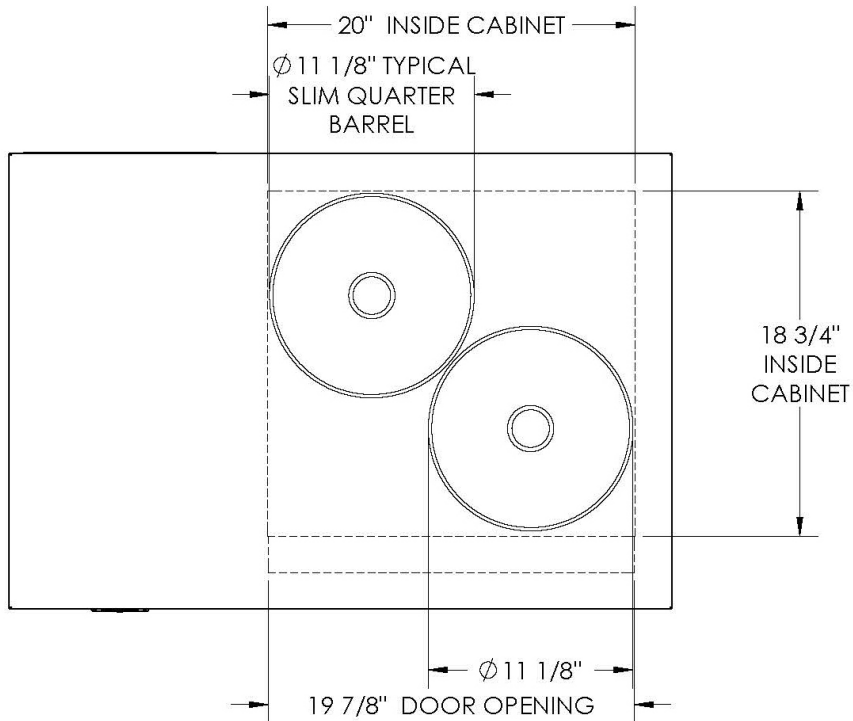
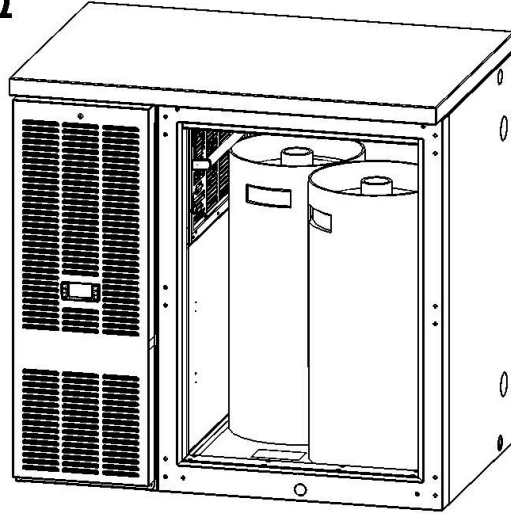


## KEG CAPACITY OF STANDARD SINGLE DOOR CABINETS (1 HALF BARREL)



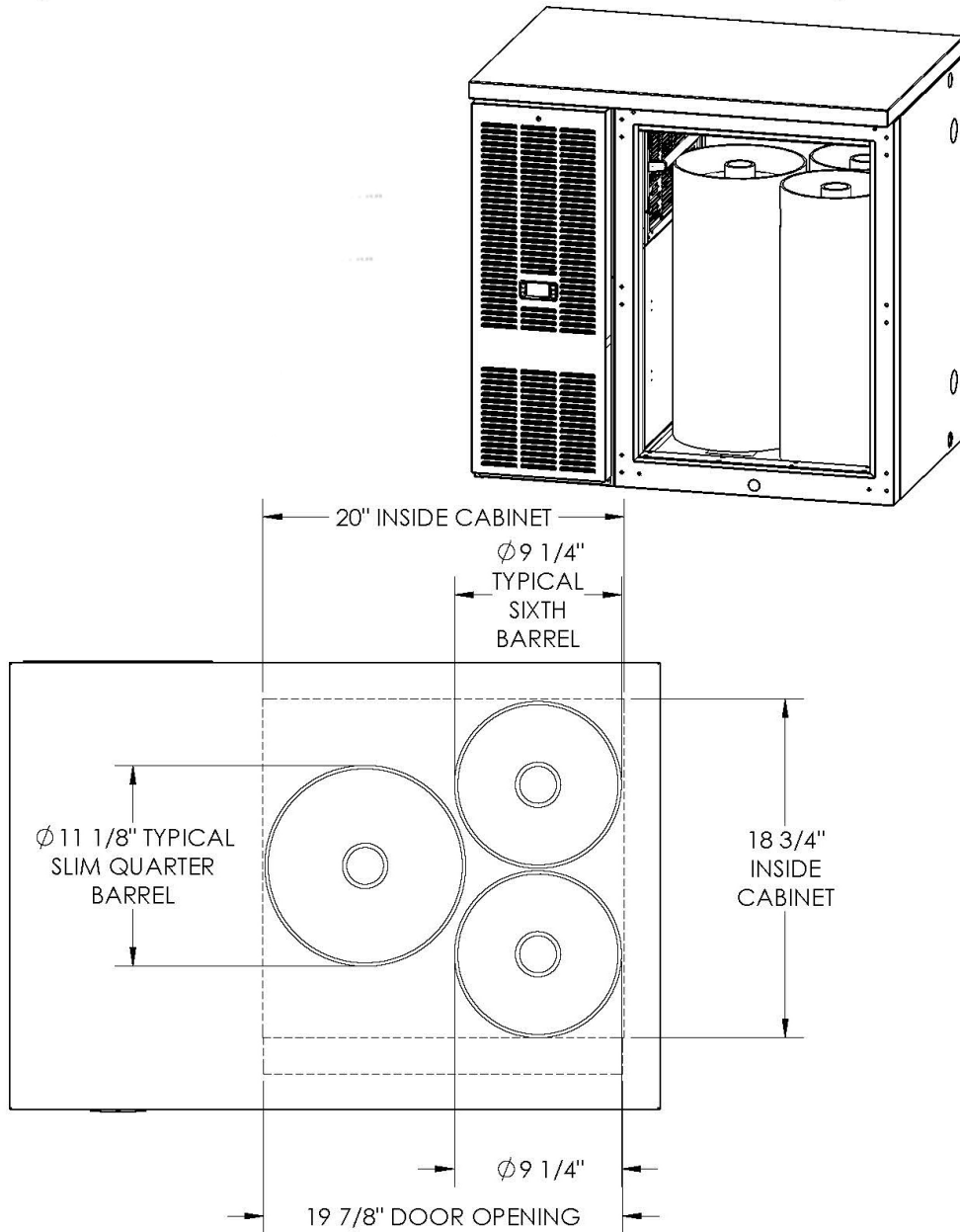


**KEG CAPACITY OF STANDARD SINGLE DOOR CABINETS**  
**(2 SLIM QUARTER BARRELS)**





**KEG CAPACITY OF STANDARD SINGLE DOOR CABINETS**  
**(1 SLIM QUARTER BARREL, 2 SIXTH BARRELS)**





## KEG CAPACITY OF STANDARD SINGLE DOOR CABINETS (4 SIXTH BARRELS)

