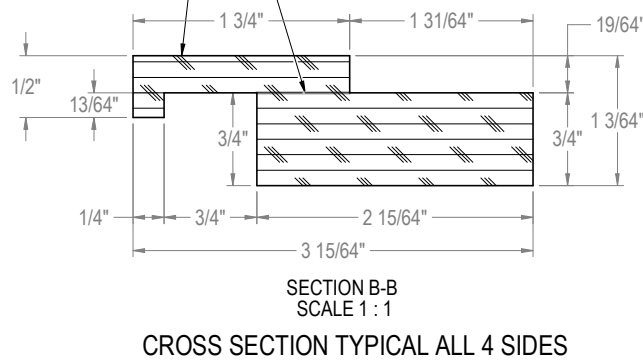
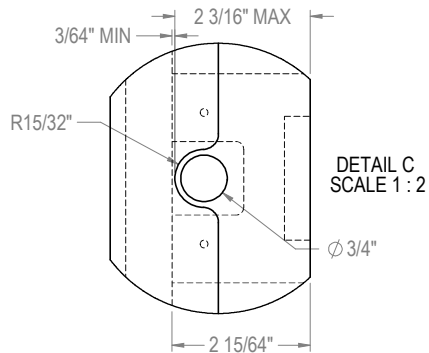


NOTE: THE 1/2" X 1-3/4" SECTION CAN BE ADDED AS SEPARATE MITERED PIECES.

OPTIONAL GLUE JOINT FOR MULTIPLE PIECE CONSTRUCTION.



BACK VIEW

NOTE: VALID FOR ANY ORDERS ENTER ON OR AFTER JAN. 1, 2016

MATERIAL: WOOD	SIGNATURES DESIGNED JMP DRAWN JMP	DATE 11/10/2015 11/10/2015
QTY.:	UNLESS OTHERWISE SPECIFIED: DIMENSIONS ARE IN INCHES TOLERANCES: X4 ±.1, X4 ±.03, X30 ±.015 ANGULAR: ±1.5°, FRACTIONS: ±1/64 BREAK SHARP EDGES - .015 X 45° RADIUS SHARP FILLETS - .015 TO .031 HOLES: ϕ .015 THRU ϕ .125: ±.004 ϕ .125 THRU ϕ .250: ±.005 ϕ .250 THRU ϕ .500: ±.006 ϕ .500 THRU ϕ .750: ±.008 ϕ .750 THRU ϕ 1.000: ±.010 ϕ 1.001 & UP: ±.012	
FINISH: CUSTOM	TITLE: GLASS DOOR WOOD OVERLAY 24" DOOR, HD & HB CABINETS	

PERLICK CORPORATION MILWAUKEE, WISCONSIN		
REFERENCE: PART NO. 68135A-7	DWG NO. 68135A	PURCHASE REC.:
SCALE = 1:8		SHEET 7 OF 9

ADDED DUAL DIMENSIONS IN 68135A-3		
B	06/07/2017	TEC
RELEASE FOR PRODUCTION		
A	11/10/2015	JMP
REVISIONS		