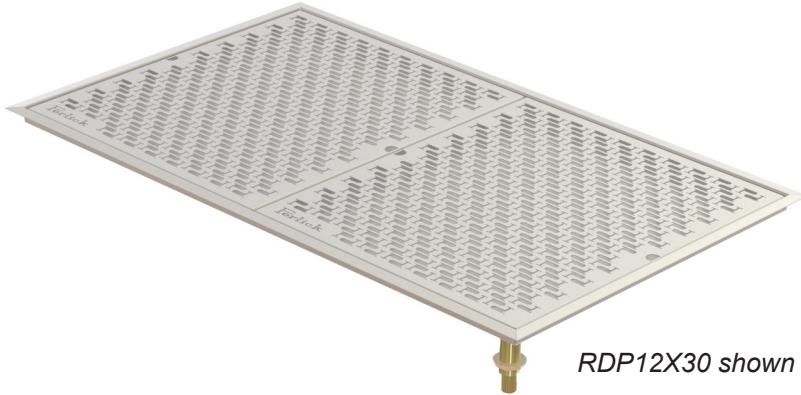




SERVICE STATION DROP IN DRAINERS



JOB	
AREA	
ITEM NO.	
MODEL NO.	

MODELS	
RDP12X24	RDP18X24
RDP12X30	RDP18X30
RDP12X36	RDP18X36
RDP12X42	RDP18X42
RDP12X48	RDP18X48

Service Station Drop in Drainers provide a flush mounted, draining, stainless steel work surface. Designed for installation into a cut-out opening in the bar.

Features

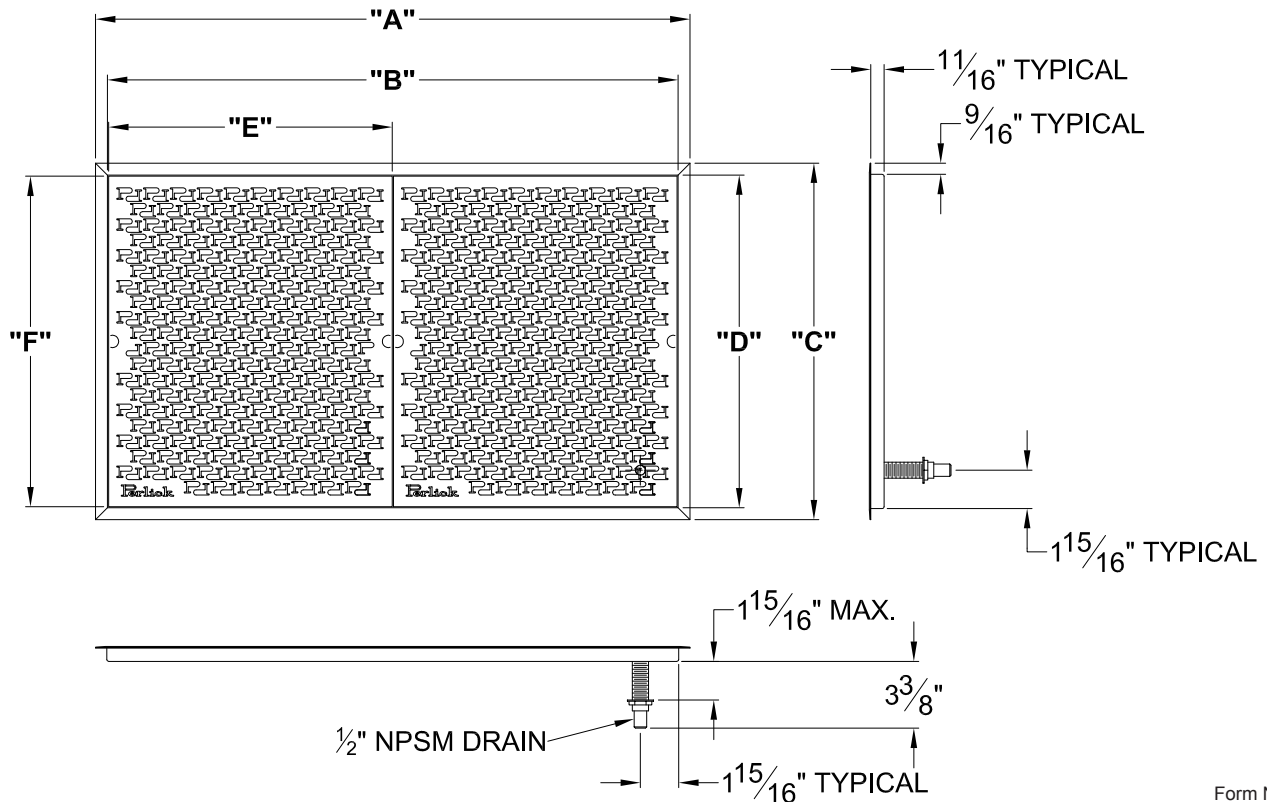
- All Stainless Steel Construction
- Removable/lift out glass racks
- 1/2" I.D. brass drain tube located at corner of drain pan
- Available in both 12" and 18" options



SERVICE STATION DROP IN DRAINERS

12" MODEL NOS.	RDP12X24	RDP12X30	RDP12X36	RDP12X42	RDP12X48
OVERALL LENGTH "A" (mm)	24" (610)	30" (762)	36" (914)	42" (1067)	48" (1219)
DRAINER LENGTH "B" (mm)	22-13/16" (579)	28-13/16" (732)	34-13/16" (884)	40-13/16" (1037)	46-13/16" (1189)
OVERALL WIDTH "C" (mm)	12" (305)	12" (305)	12" (305)	12" (305)	12" (305)
DRAINER WIDTH "D" (mm)	10-13/16" (275)	10-13/16" (275)	10-13/16" (275)	10-13/16" (275)	10-13/16" (275)
GLASS RACK LENGTH "E" (mm)	22-11/16" (576)	14-5/16" (364)	17-5/16" (440)	20-5/16" (516)	15-1/2" (394)
GLASS RACK WIDTH "F" (mm)	10-11/16" (271)	10-11/16" (271)	10-11/16" (271)	10-11/16" (271)	10-11/16" (271)
NUMBER OF GLASS RACKS	1	2	2	2	3
DRIP PAN AND GLASS RACK(S)	Stainless Steel				
PLUMBING	1/2" I.D. Brass Drain Tube with 1/2" NPSM Thread and Machined End to accept 1/2" I.D. flexible drain tube (1390D)				

18" MODEL NOS.	RDP18X24	RDP18X30	RDP18X36	RDP18X42	RDP18X48
OVERALL LENGTH "A" (mm)	24" (610)	30" (762)	36" (914)	42" (1067)	48" (1219)
DRAINER LENGTH "B" (mm)	22-13/16" (579)	28-13/16" (732)	34-13/16" (884)	40-13/16" (1037)	46-13/16" (1189)
OVERALL WIDTH "C" (mm)	18" (457)	18" (457)	18" (457)	18" (457)	18" (457)
DRAINER WIDTH "D" (mm)	16-13/16" (427)	16-13/16" (427)	16-13/16" (427)	16-13/16" (427)	16-13/16" (427)
GLASS RACK LENGTH "E" (mm)	22-5/16" (287)	14-5/16" (364)	17-5/16" (440)	20-5/16" (516)	15-1/2" (394)
GLASS RACK WIDTH "F" (mm)	16-11/16" (424)	16-11/16" (424)	16-11/16" (424)	16-11/16" (424)	16-11/16" (424)
NUMBER OF GLASS RACKS	2	2	2	2	3
DRIP PAN AND GLASS RACK(S)	Stainless Steel				
PLUMBING	1/2" I.D. Brass Drain Tube with 1/2" NPSM Thread and Machined End to accept 1/2" I.D. flexible drain tube (1390D)				



Form No. Z2416
Rev.10.01.2015