



**UNDERBAR CORNER SECTIONS**  
*Angled Corners with Drainboard Top*



TS45D-FI



TSF45D-FI



TS90D-FI



TS90D-CI

JOB	
AREA	
ITEM NO.	
MODEL NO.	

MODELS	
Inside Corners	
TS SERIES	TSF SERIES
TS45D-FI	TSF45D-FI
TS60D-FI	TSF60D-FI
TS75D-FI	TSF75D-FI
TS90D-FI	TSF90D-FI
TS90D-CI	TSF90D-CI

Outside Corners	
TS SERIES	TSF SERIES
TS45D-FO	TSF45D-FO

**KEY PRODUCT FEATURES AND BENEFITS**

- Angled drainboards come in various degrees for inside and outside corner applications
- Design provides clearance for beverage and utility lines to transition around the corner without hard bends in the lines
- Stainless steel drainboard surface is durable, rust resistant, and easy to clean
- Tool-less, screw-in legs for fast, easy installation, and available when there are not two adjacent units to attach to
- Can be mounted to any adjacent stable surface

**Quick Features:**

- Designed to mount between two adjacent underbar units to complete an inside turn
- Drainboard top is easy to clean
- All stainless construction for durability



**UNDERBAR CORNER SECTIONS**  
*Angled Corners with Drainboard Top*

MODEL NUMBERS - TS45D-FI, TSF45D-FI, TS60D-FI, TSF60D-FI, TS75D-FI, TSF75D-FI, TS90D-FI, TSF90D-FI, TS90D-CI, TSF90D-CI, TS45D-FO, TSF45D-FO

**INSIDE CORNERS**

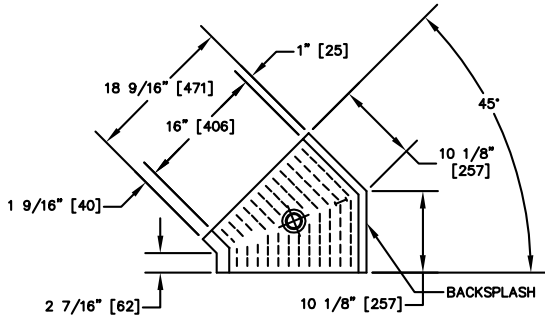
MODEL NUMBERS (TS SERIES)	TS45D-FI	TS60D-FI	TS75D-FI	TS90D-FI	TS90D-CI
MODEL NUMBERS (TSF SERIES)	TSF45D-FI	TSF60D-FI	TSF75D-FI	TSF90D-FI	TSF90D-CI
DESCRIPTION	45° Full Corner	60° Full Corner	75° Full Corner	90° Full Corner	90° Clip Corner
SHIPPING WEIGHT Lbs. (kg.)	45 (20)	45 (20)	50 (23)	55 (25)	50 (23)
MATERIALS, DRAINBOARD	Embossed stainless steel. All horizontal and vertical edges 1/4" radius with balled corners. Underside reinforced with welded brackets and sound deadened. Stainless steel drain socket.				
MATERIALS, FRONT & SIDES	Stainless steel				
MATERIALS, BACK	Galvanized steel				
MATERIALS, BACKSPLASH	Stainless steel 6" high (4" high optional) with 1" return at top, mechanically fastened and sealed with steel support brackets				
LEGS	Optional	Optional	Optional	Included	Included
PLUMBING	<b>Drain connection:</b> 1-1/2" NPS Male				

**OUTSIDE CORNERS**

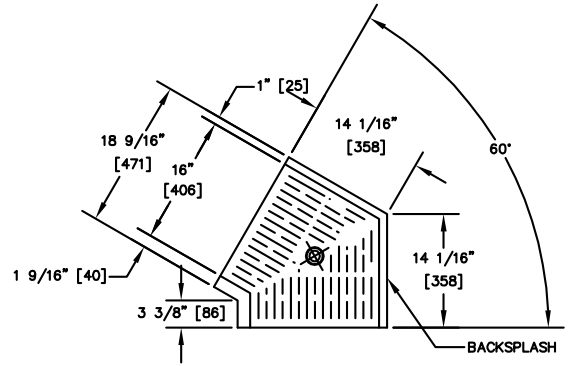
MODEL NUMBERS (TS SERIES)	TS45D-FO
MODEL NUMBERS (TSF SERIES)	TSF45D-FO
DESCRIPTION	45° Full Corner
SHIPPING WEIGHT Lbs. (kg.)	45 (20)
MATERIALS, DRAINBOARD	Embossed stainless steel. All horizontal and vertical edges 1/4" radius with balled corners. Underside reinforced with welded brackets and sound deadened. Stainless steel drain socket.
MATERIALS, FRONT & SIDES	Stainless steel
MATERIALS, BACK	Galvanized steel
MATERIALS, BACKSPLASH	Stainless steel 6" high (4" high optional) with 1" return at top, mechanically fastened and sealed
LEGS	Optional
PLUMBING	<b>Drain connection:</b> 1-1/2" NPS Male

**Perlick** **UNDERBAR CORNER SECTIONS**  
*Angled Corners with Drainboard Top*

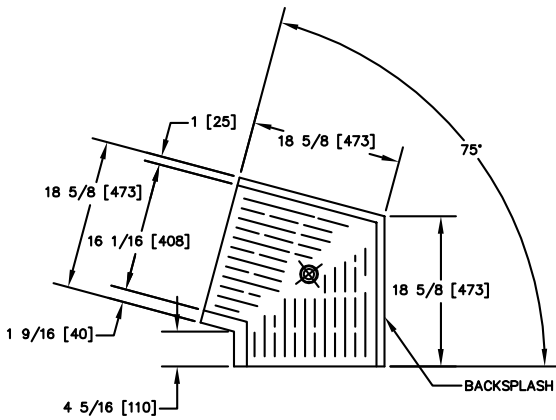
**TS Series - Inside Corners**



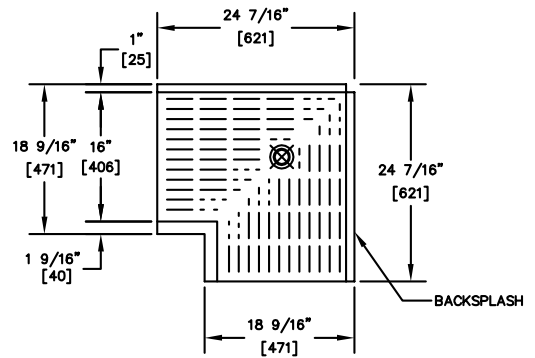
TS45D-FI



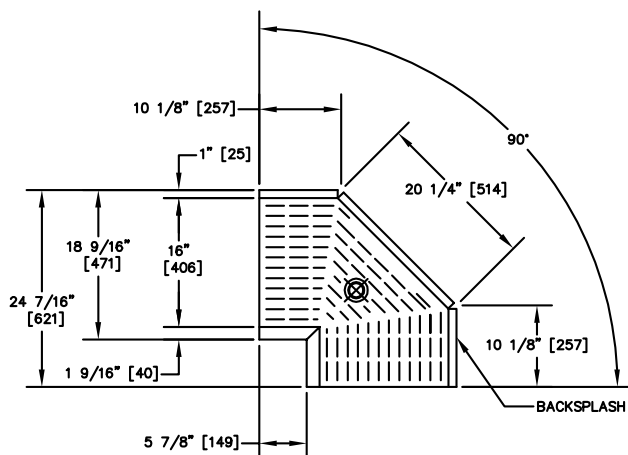
TS60D-FI



TS75D-FI



TS90D-FI



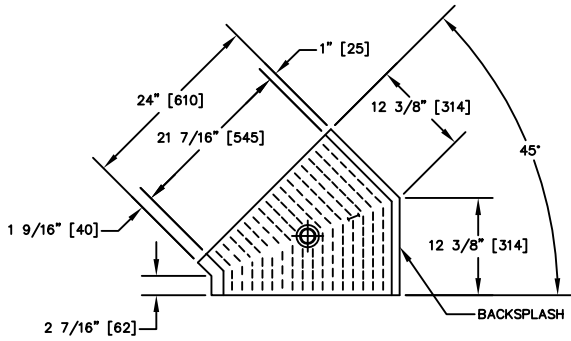
TS90D-CI

MODEL NUMBERS - TS45D-FI, TSF45D-FI, TS60D-FI, TSF60D-FI, TS75D-FI, TSF75D-FI, TS90D-FI, TSF90D-FI, TS90D-CI, TSF90D-CI, TS45D-FO, TSF45D-FO

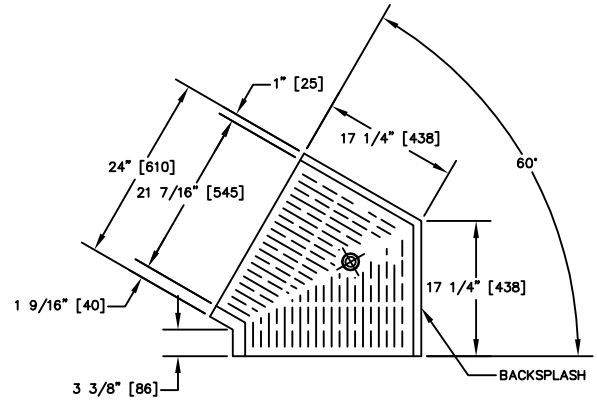


**UNDERBAR CORNER SECTIONS**  
*Angled Corners with Drainboard Top*

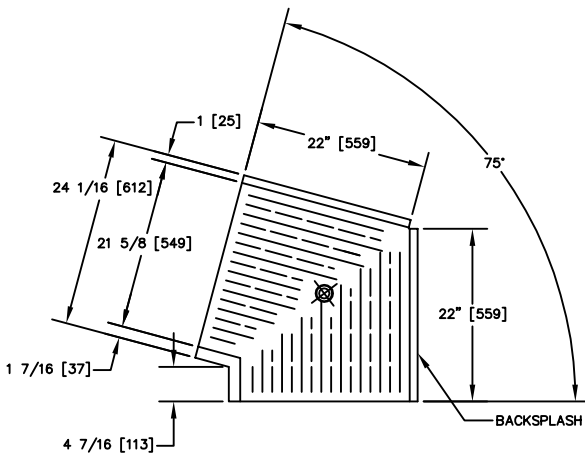
**TSF Series - Inside Corner**



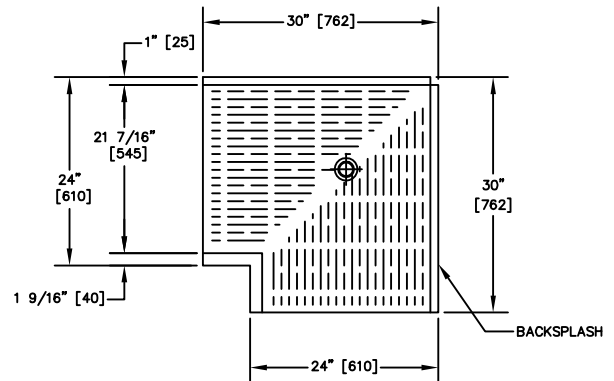
TSF45D-FI



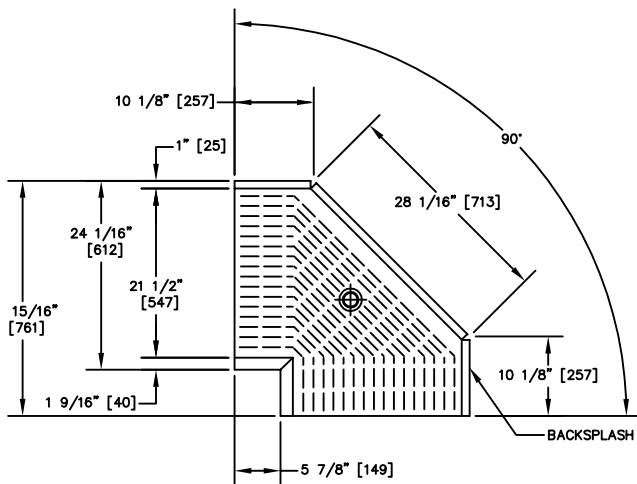
TSF60D-FI



TSF75D-FI



TSF90D-FI



TSF90D-CI

MODEL NUMBERS - TS45D-FI, TSF45D-FI, TS60D-FI, TSF60D-FI, TS75D-FI, TSF75D-FI, TS90D-FI, TSF90D-FI, TS90D-CI, TSF90D-CI, TS45D-FO, TSF45D-FO



**UNDERBAR CORNER SECTIONS**  
*Angled Corners with Drainboard Top*

MODEL NUMBERS - TS45D-FI, TSF45D-FI, TS60D-FI, TSF60D-FI, TS75D-FI, TSF75D-FI, TS90D-FI, TSF90D-FI, TS90D-CI, TSF90D-CI, TS45D-FO, TSF45D-FO

**TS & TSF Series - Outside Corners**

