



REMOTE PASS-THRU BACK BAR REFRIGERATOR
2- and 4-Door, Sliding



SDBR48 shown

JOB	
AREA	
ITEM NO.	
MODEL NO.	

MODELS	
SDBR48	2-Door Model
SDBR96	4-Door Model

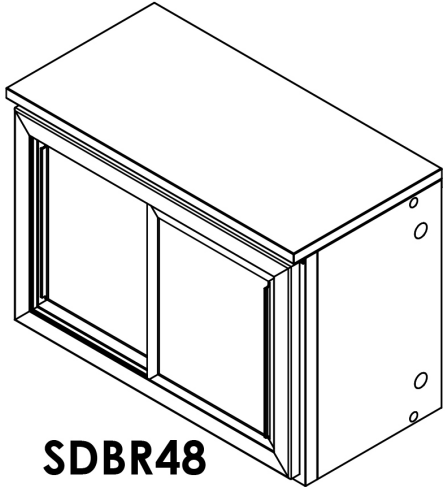
NSF/ANSI Standard 7 Listed for open food storage.
Note: Models furnished with wine temperature are listed for the storage and display of bottled and canned products only.

MODEL NUMBERS		SDBR48	SDBR96
NUMBER OF DOORS		2	4
EXTERIOR CABINET DIMENSIONS	Length - in. (mm)	48 (1219)	96 (2438)
	Depth - in. (mm)	24 ³ / ₄ (629)	24 ³ / ₄ (629)
	Height - in. (mm)	34 ⁵ / ₁₆ (878)	34 ⁵ / ₁₆ (878)
INTERIOR CABINET DIMENSIONS	Length - in. (mm)	44 (1118)	92 (2337)
	Depth - in. (mm)	18 ³ / ₄ (476)	18 ³ / ₄ (476)
	Height - in. (mm)	28 ¹ / ₂ (724)	28 ¹ / ₂ (724)
INTERNAL VOLUME Net. Cu. Ft. (Litres)		15.3 (433)	32.6 (923)
PRODUCT CAPACITY	Case Packed - 12 Oz. Bottle/Can	267/465	617/1025
	Staggered - 12 Oz. Bottle/Can	288/488	667/1102
SHIPPING WEIGHT Lbs. (kg.)		264 (120)	447 (203)
ELECTRICAL SPECIFICATIONS	Electrical Supply	120 VAC/60 Hz/1 Ph	120 VAC/60 Hz/1 Ph
	Running Load Amps	1.6	2.5
	Electrical Connection	Hard wired	Hard wired
	Defrost Initiation	Automatic	Automatic
	Defrost Type	Off cycle	Off cycle
	Lighting Type	LED	LED
REFRIGERATION SPECIFICATIONS	Horsepower	1/4	1/3
	Expansion Device	TXV	TXV
	Evaporator Capacity - Remotes	1900 Btu/Hr @ 20° F Evaporator	2300 Btu/Hr @ 20° F Evaporator
	Remote Refrigerant Options	R134a & R22 & R404a	R134a & R22 & R404a
PLUMBING	Evaporator Condensate	Field plumbed	Field plumbed

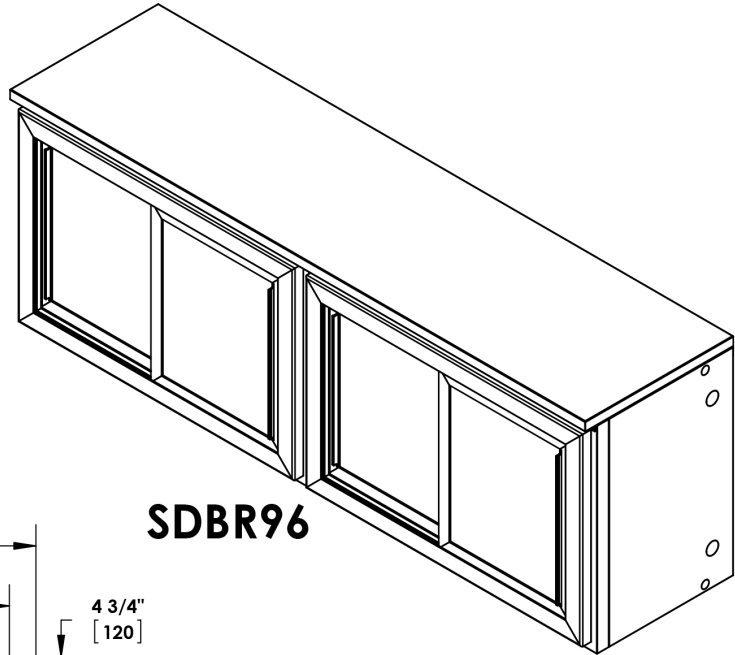


REMOTE PASS-THRU BACK BAR REFRIGERATOR
2- and 4-Door, Sliding

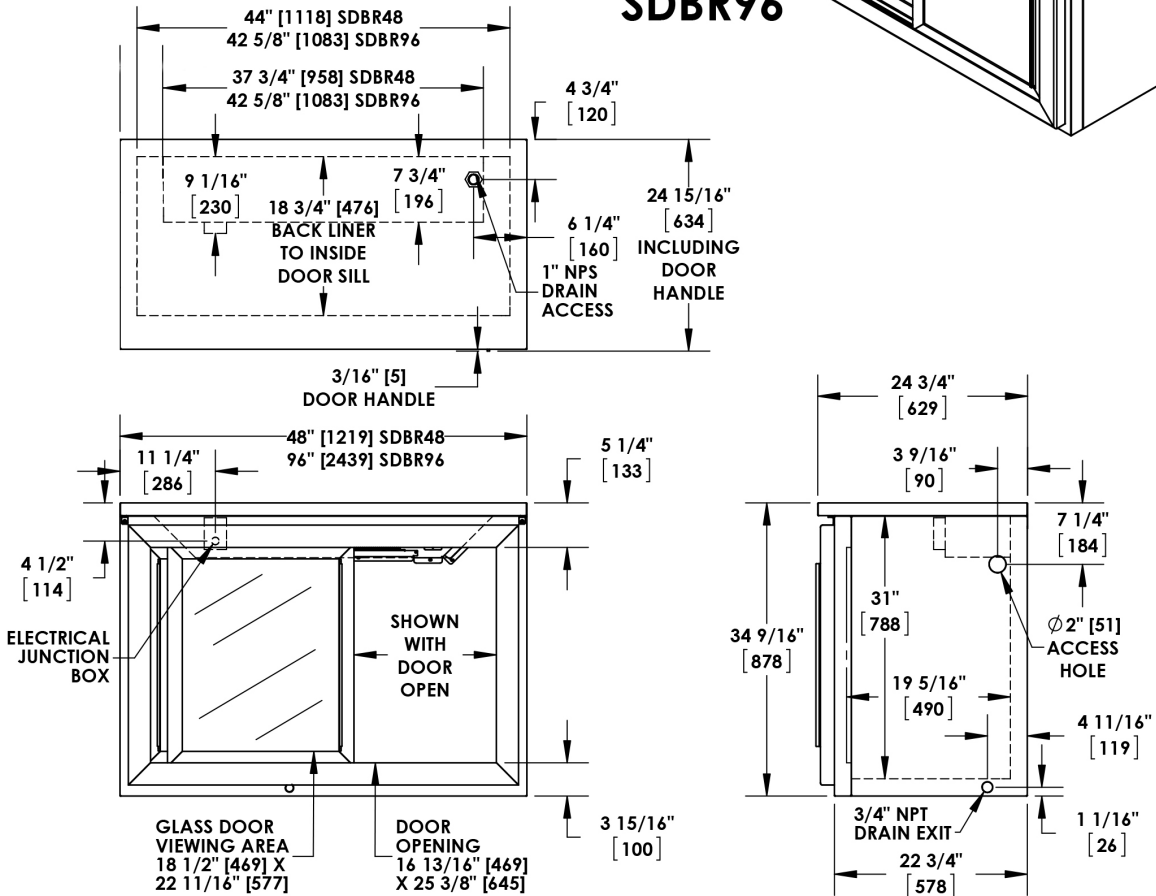
Note: Open floor drain not provided on models intended for non-packaged food.



SDBR48



SDBR96



California Prop 65 Notice:

WARNING: The materials used in this product may contain chemicals known to the State of California to cause cancer and birth defects or other reproductive harm. For more information go to www.P65Warnings.ca.gov.

Form No. 95179
Rev. 02.28.23