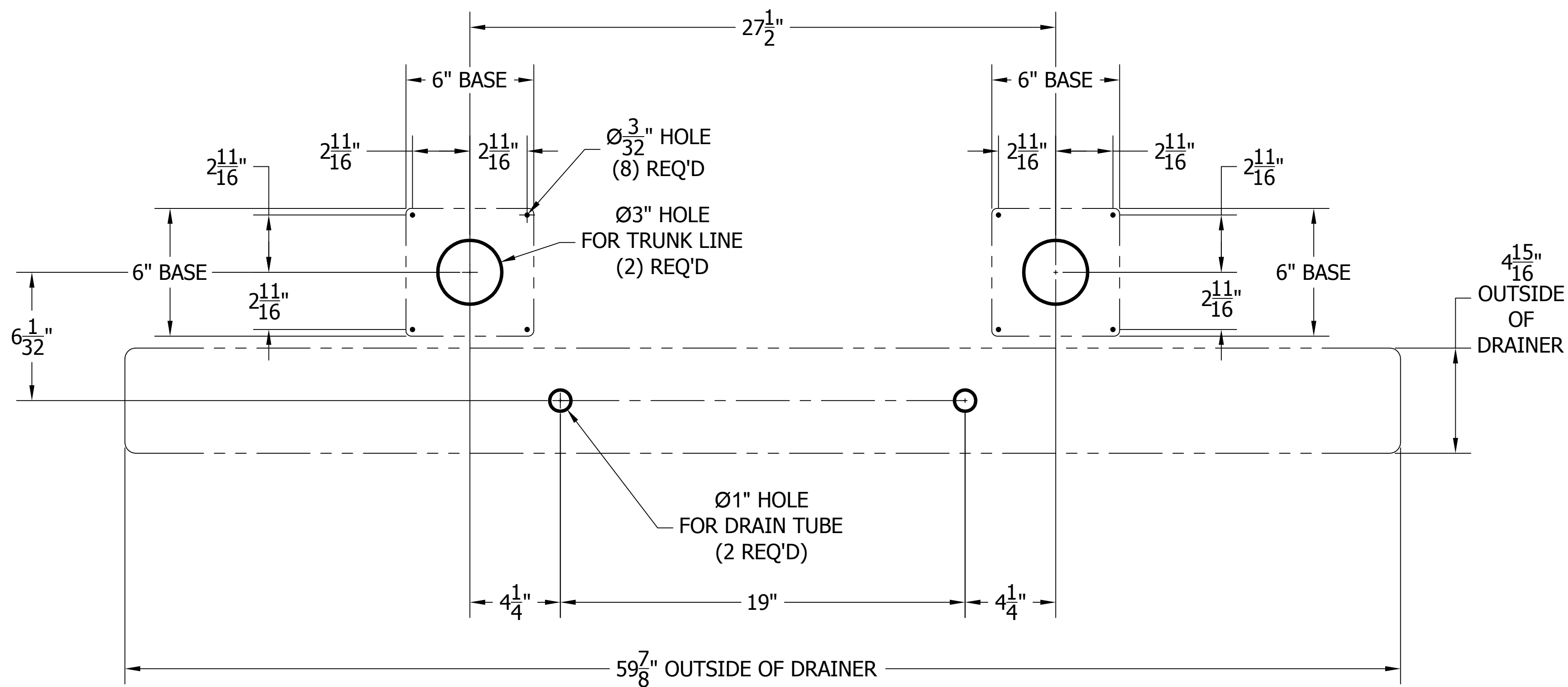
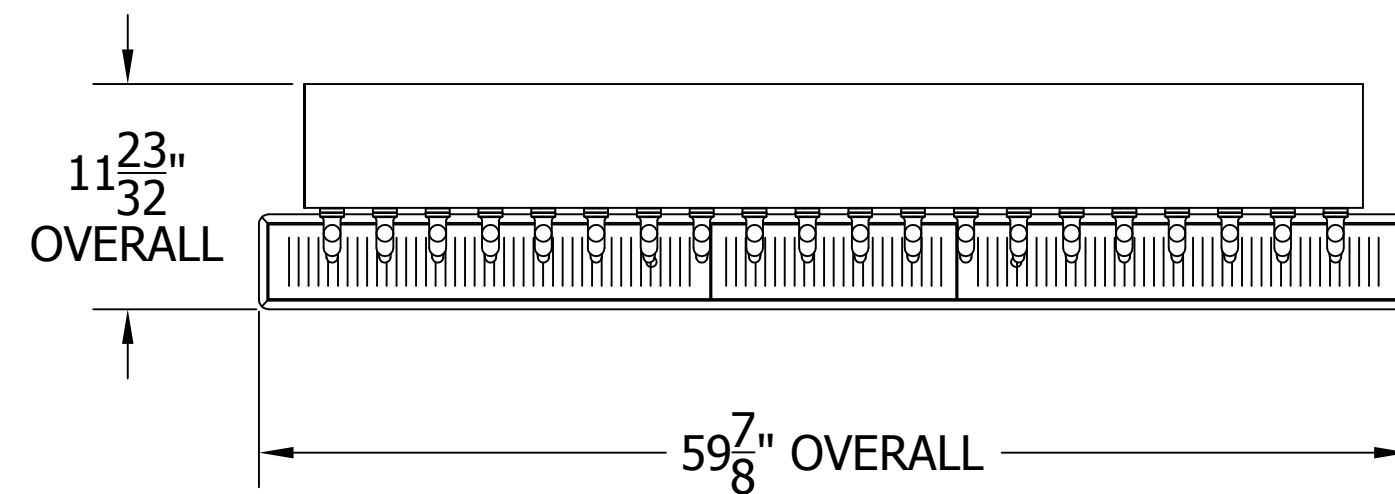
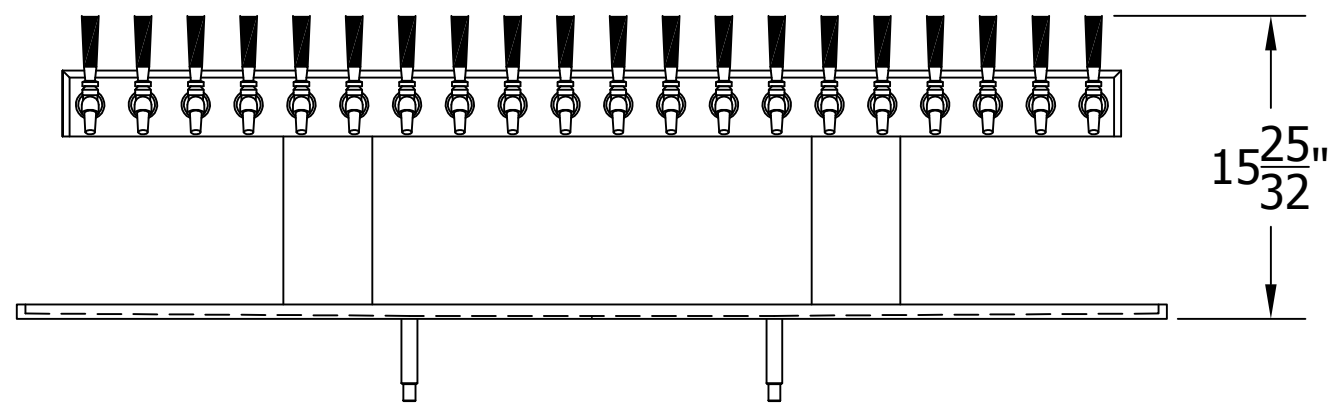


4006-20B BRIDGE TEE TOWER & 5036 TOP MOUNTED DRAINER

525SS FAUCETS MOUNTING TEMPLATE



**** DRAWING NOT TO FULL SCALE ****



PERLICK CORPORATION
MILWAUKEE, WI 53223
PROPERTY OF THE PERLICK CORP.
NOT TO BE COPIED OR USED DETRIMENTAL TO OUR INTERESTS.

SCALE 1:4
DR. JMP DATE 3/30/2012

LAST MODIFIED
3/30/2012

94083-525