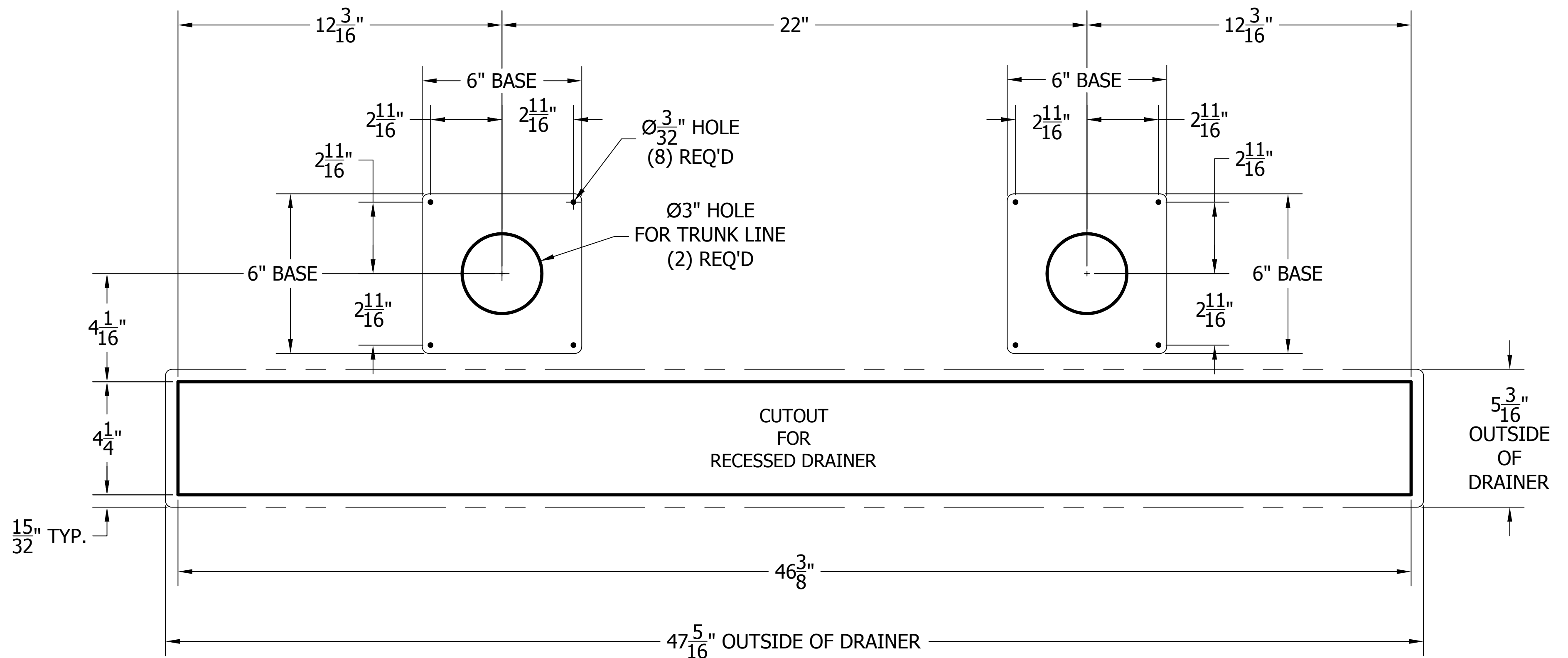
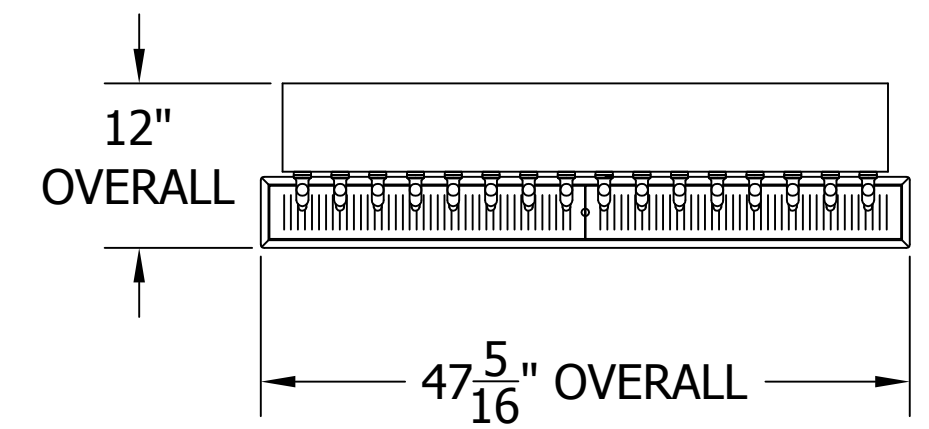
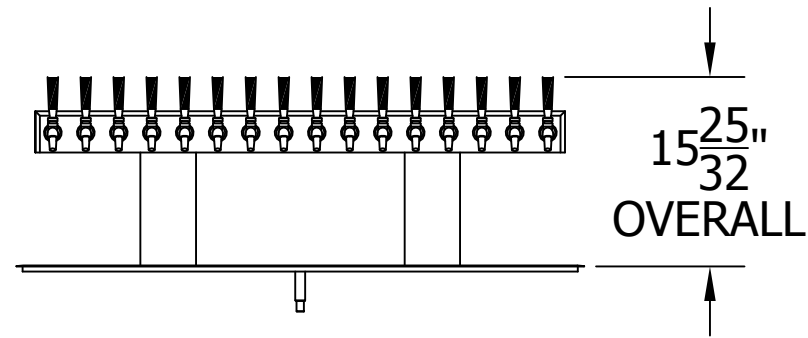


# 4006-16B BRIDGE TEE TOWER & 69330 RECESSED DRAINER WITH 525SS FAUCETS MOUNTING TEMPLATE



**\*\*DRAWING NOT TO FULL SCALE\*\***



PERLICK CORPORATION  
MILWAUKEE, WI 53223  
PROPERTY OF THE PERLICK CORP.  
NOT TO BE COPIED OR USED DETRIMENTAL TO OUR INTERESTS.

SCALE FULL  
DR. JMP DATE 3-30-2012

LAST MODIFIED  
3/30/2012

94081-525