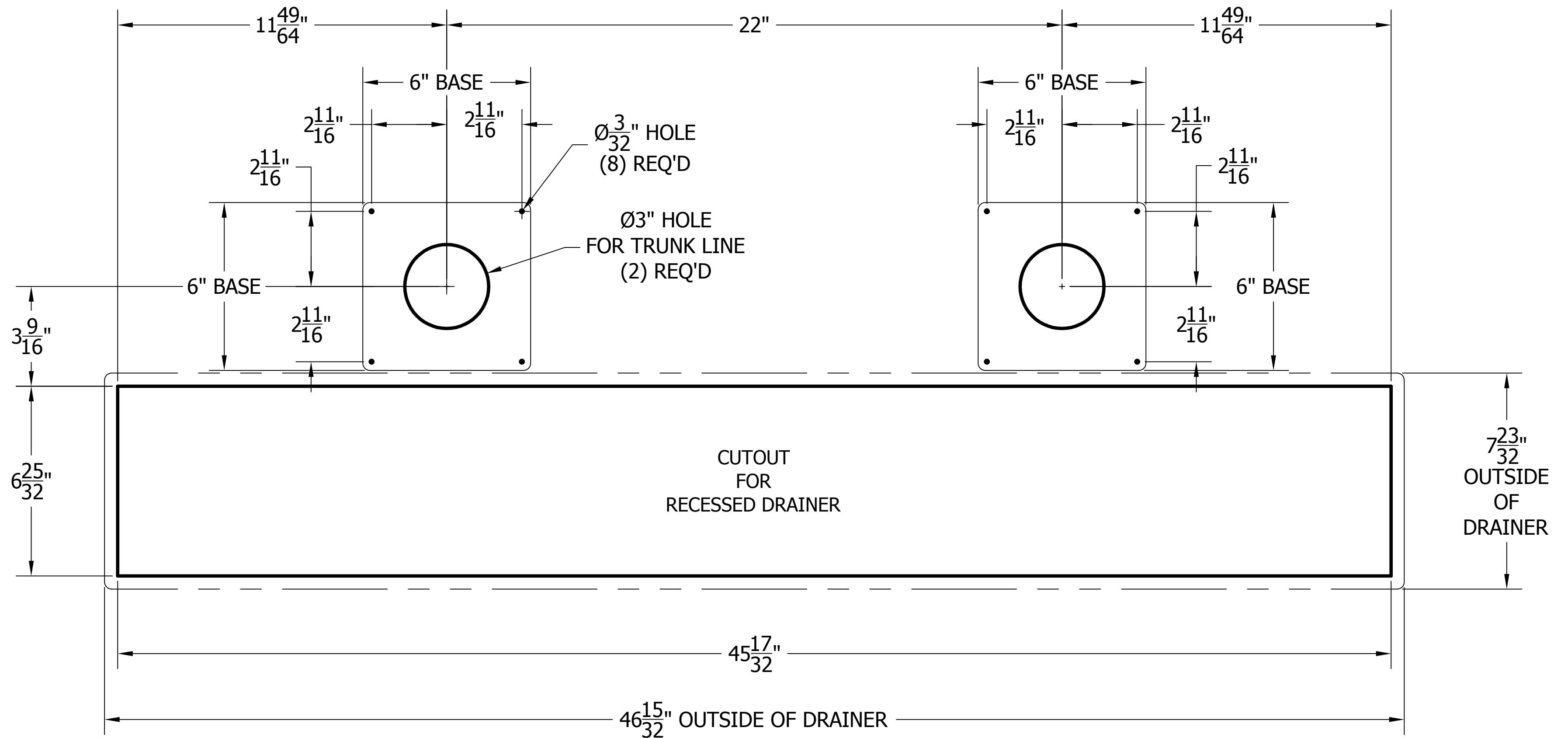
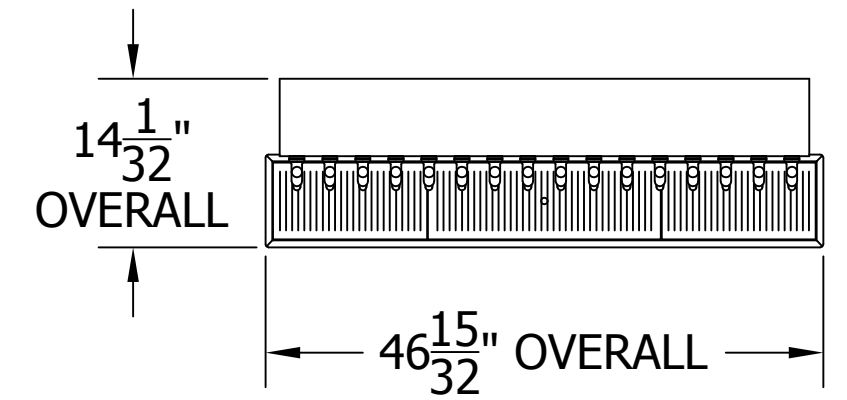
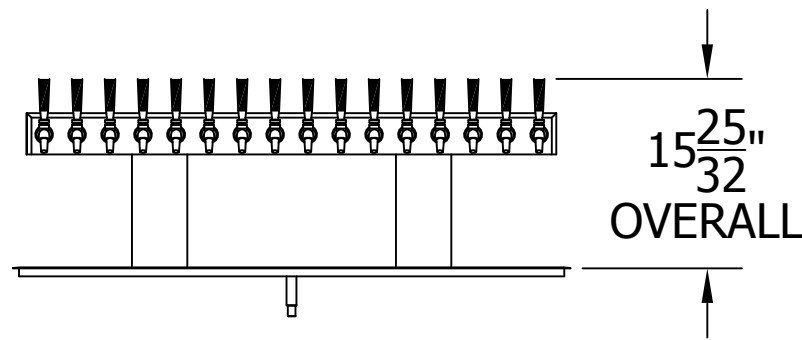


4006-16B BRIDGE TEE TOWER & 69324 RECESSED DRAINER WITH 408 FAUCETS OR 525SS FAUCETS MOUNTING TEMPLATE



PERLICK CORPORATION
MILWAUKEE, WI 53223
PROPERTY OF THE PERLICK CORP.
NOT TO BE COPIED OR USED DETRIMENTAL TO OUR INTERESTS.

SCALE FULL
DR. JMP DATE 6-20-2011

LAST MODIFIED
6/20/2011

94080