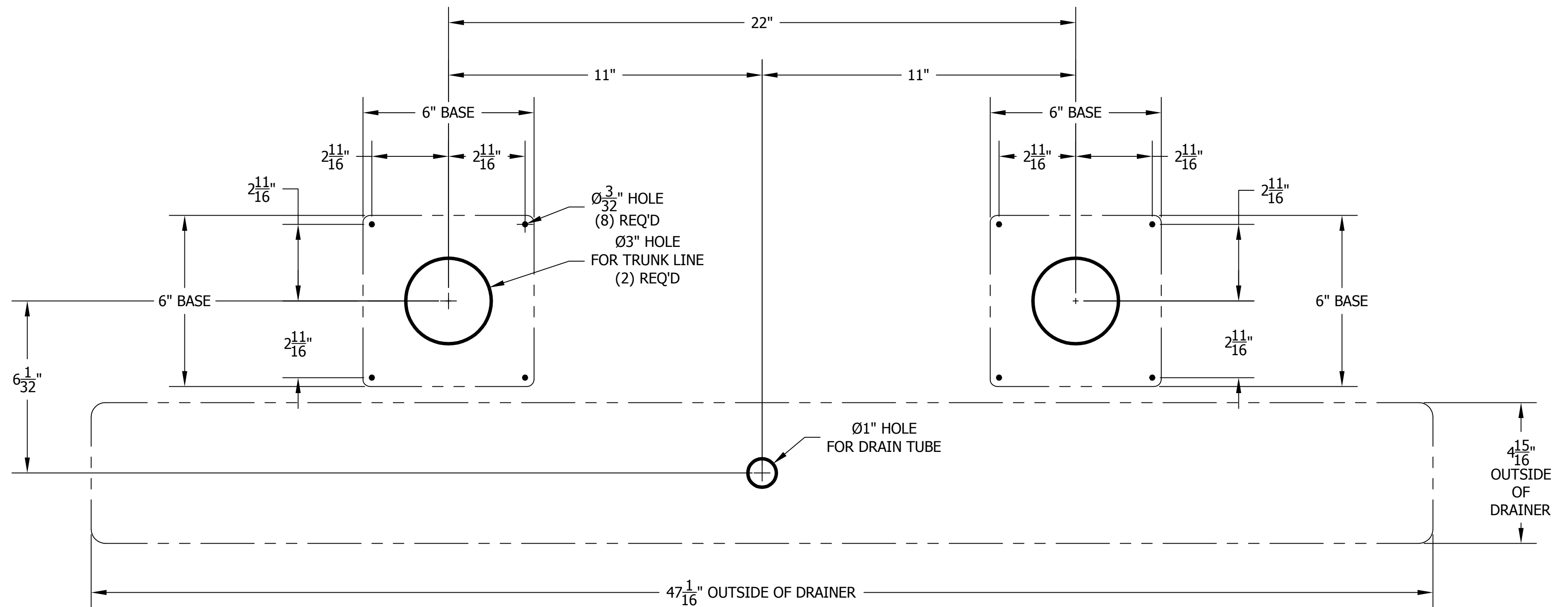
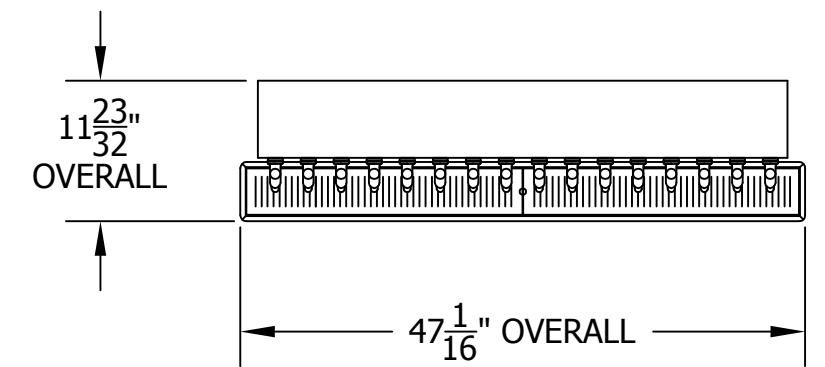
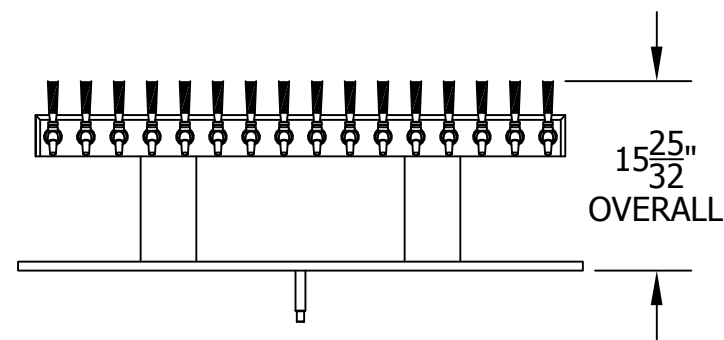


# 4006-16B BRIDGE TOWER & 5034 TOP MOUNTED DRAINER WITH 525SS FAUCETS MOUNTING TEMPLATE



**\*\*DRAWING NOT TO FULL SCALE\*\***



PERLICK CORPORATION  
MILWAUKEE, WI 53223  
PROPERTY OF THE PERLICK CORP.  
NOT TO BE COPIED OR USED DETRIMENTAL TO OUR INTERESTS.

SCALE 1:3  
DR. JMP DATE 6/20/2011

LAST MODIFIED  
6/20/2011

94079-525