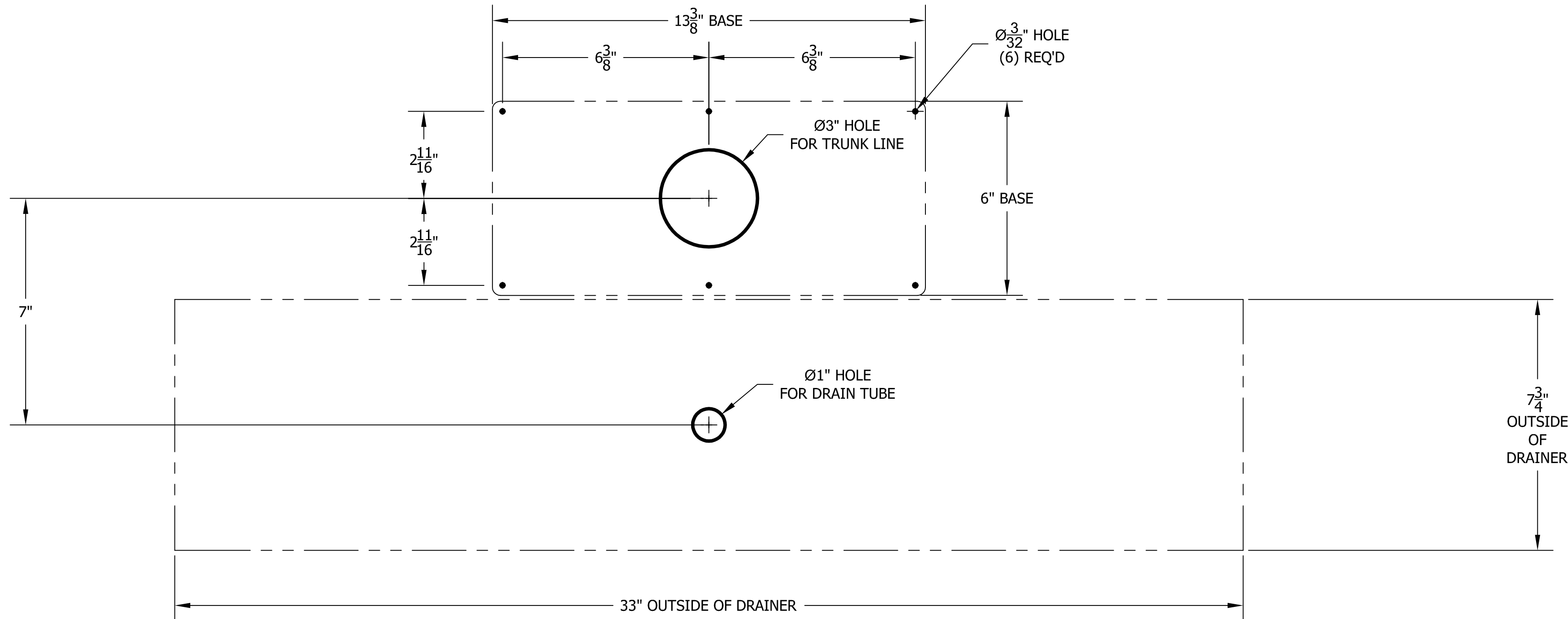
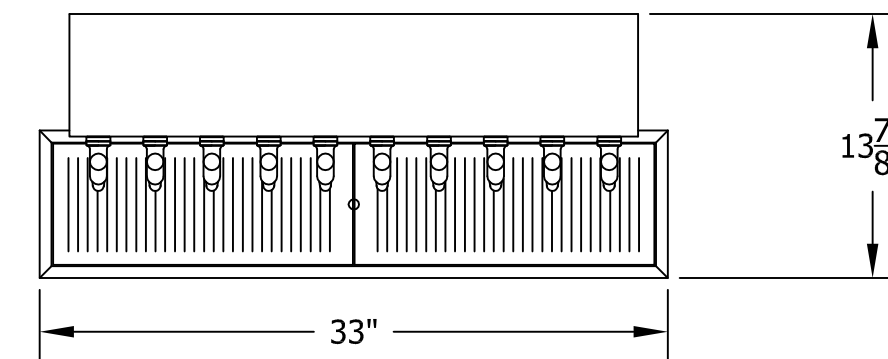
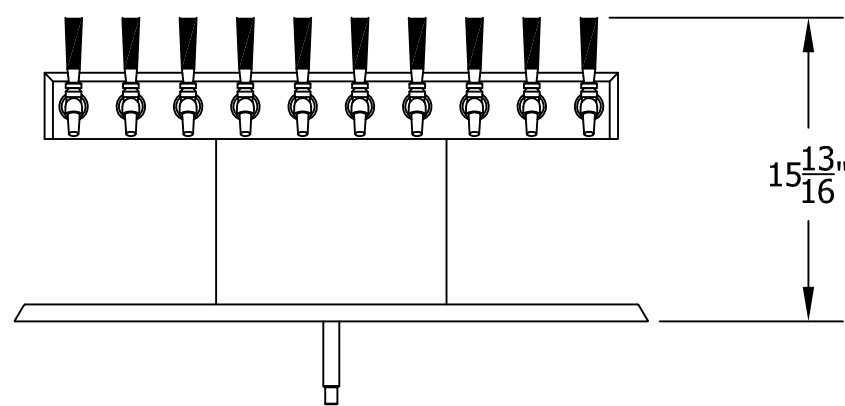


4006S10B TEE TOWER & C18655 TOP MOUNTED DRAINER WITH 630SS FAUCETS MOUNTING TEMPLATE



****DRAWING NOT TO FULL SCALE****



PERLICK CORPORATION
MILWAUKEE, WI 53223
PROPERTY OF THE PERLICK CORP.
NOT TO BE COPIED OR USED DETRIMENTAL TO OUR INTERESTS.

SCALE 3:8
DR. MRS DATE 9/18/2014

LAST MODIFIED
9/18/2014

94060