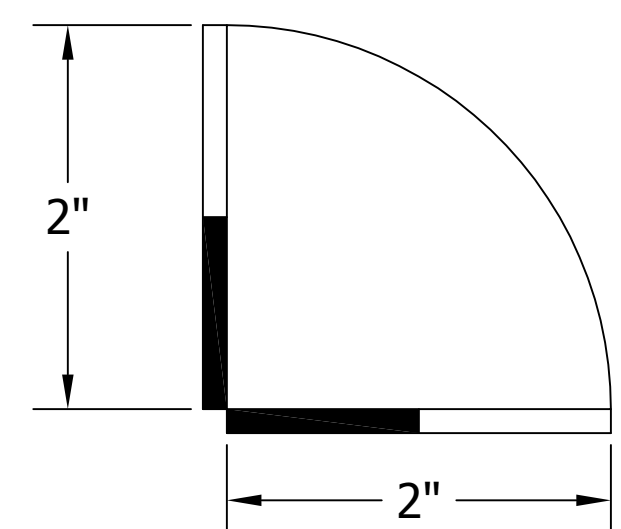
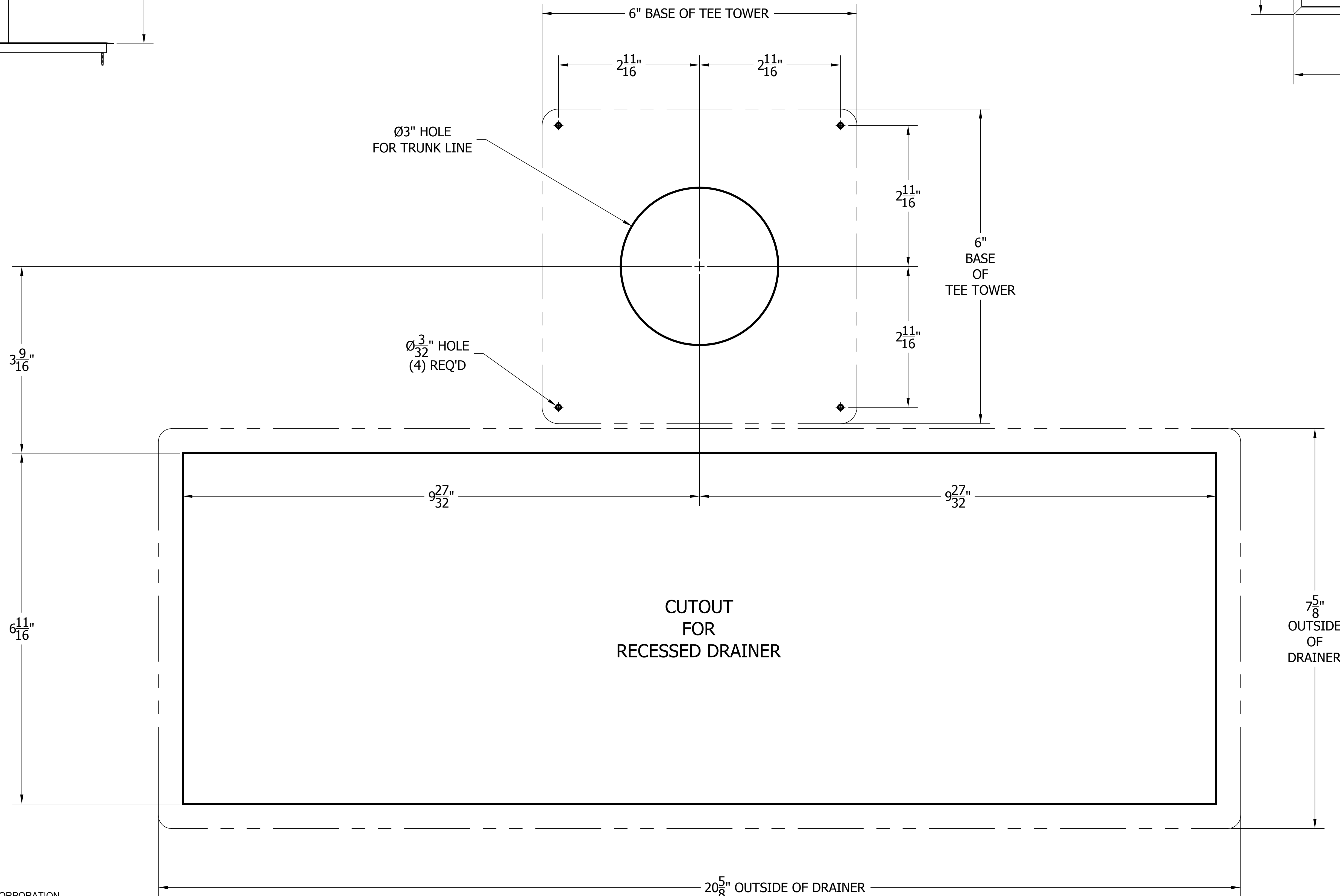
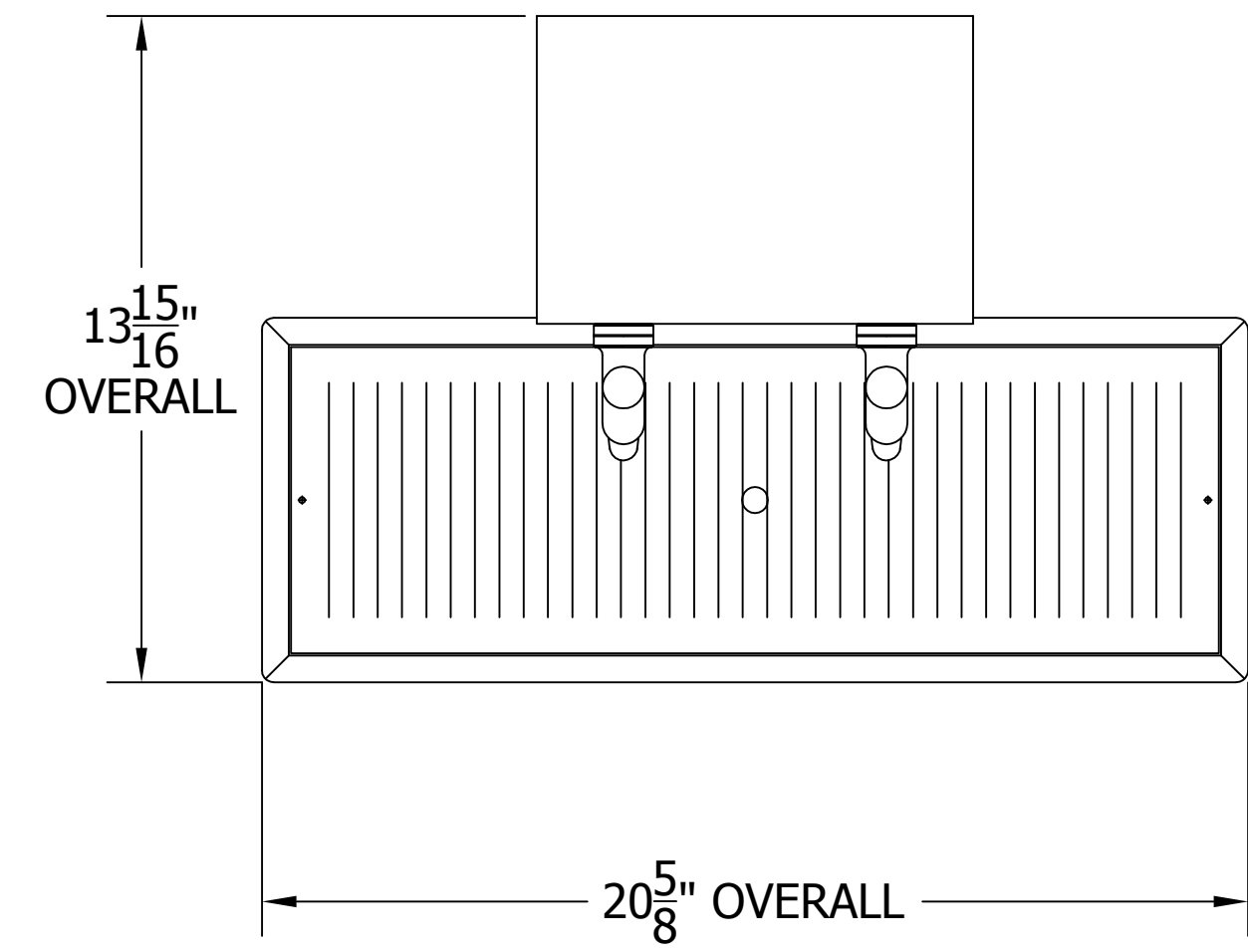
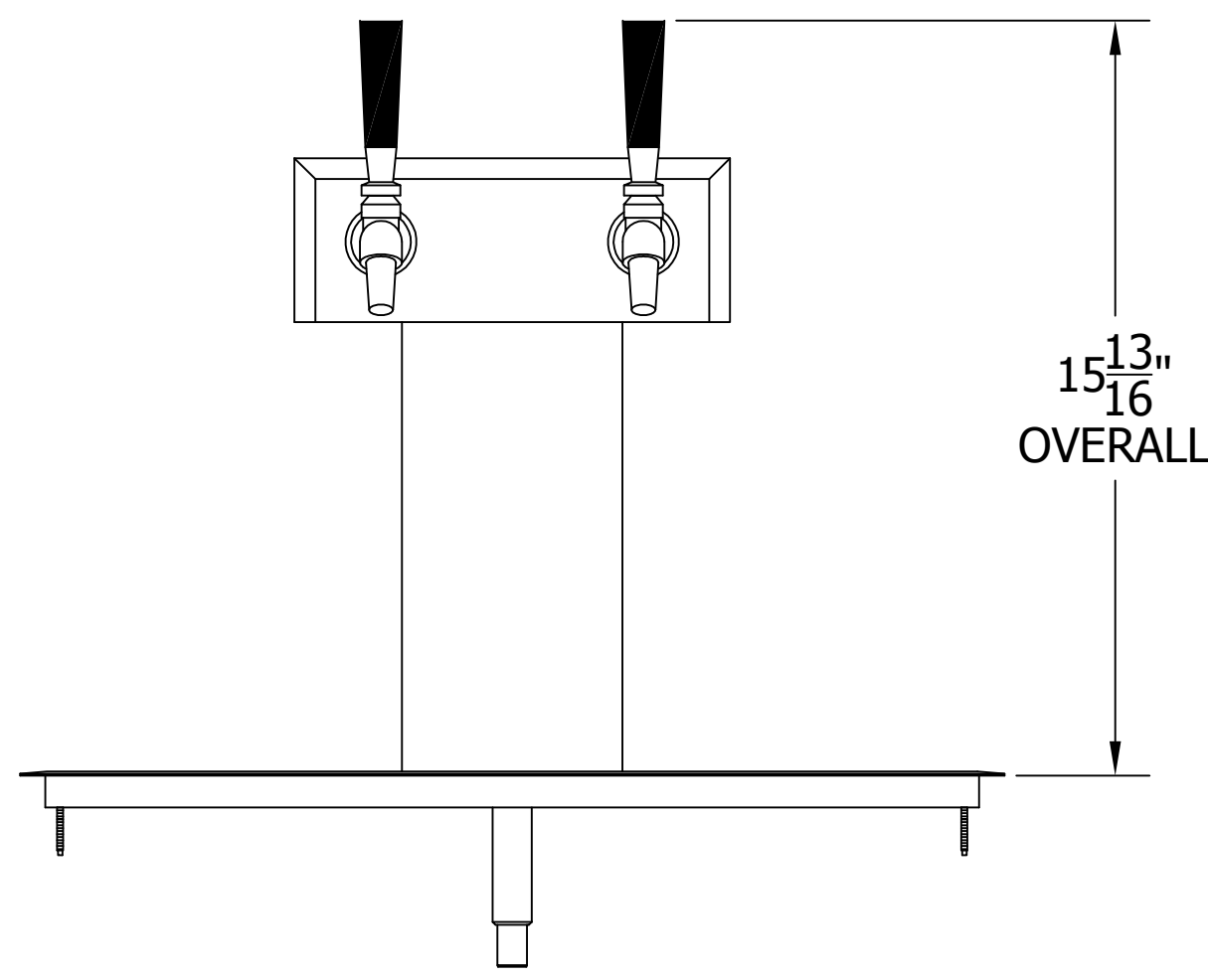


4006-2B TEE TOWER & C32257 RECESSED DRAINER WITH 408 FAUCETS OR 525SS FAUCETS MOUNTING TEMPLATE



ATTENTION INSTALLERS
VERIFY SCALE OF PRINT
BY CHECKING THESE DIMENSIONS
PRIOR TO INSTALLATION OF BEER HEAD
(EACH SIDE SHOULD MEASURE
EXACTLY 2.00 INCHES)