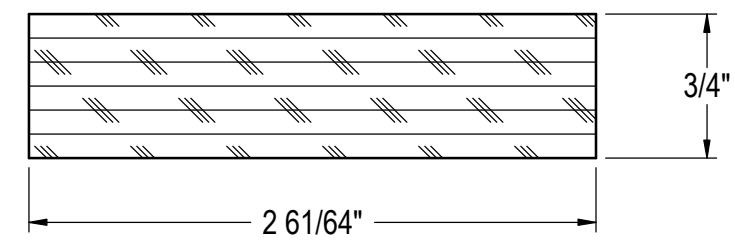


IF ADDING LOCKS,  
SEE SHEET 8 FOR  
LOCK DETAILS

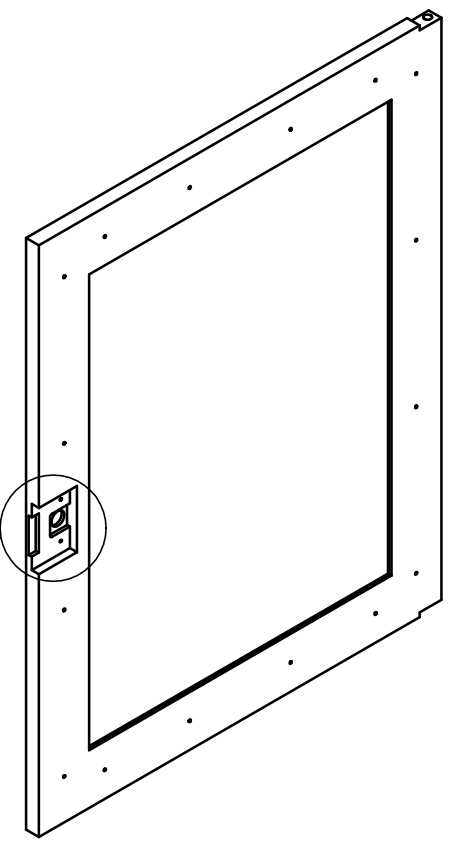
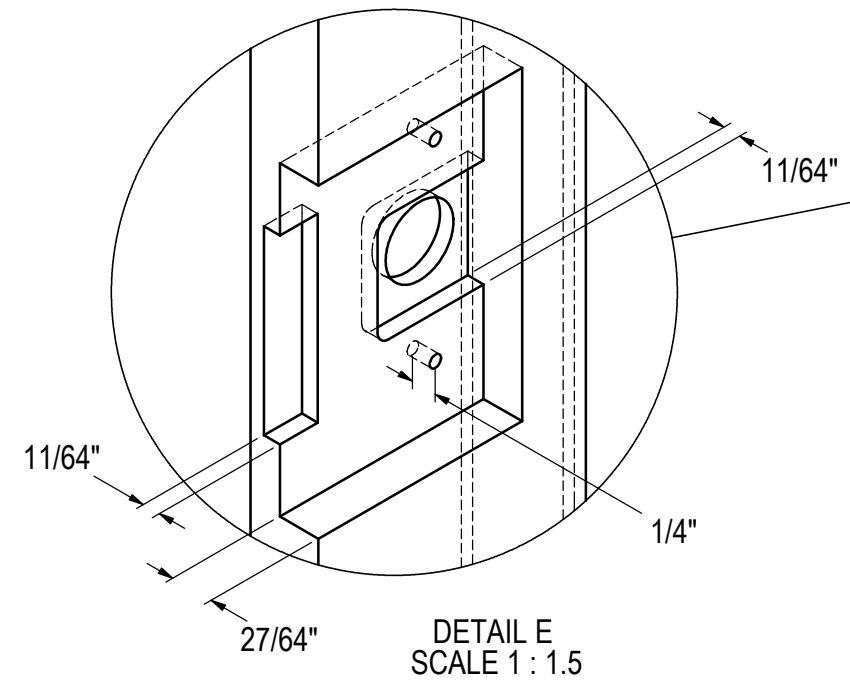
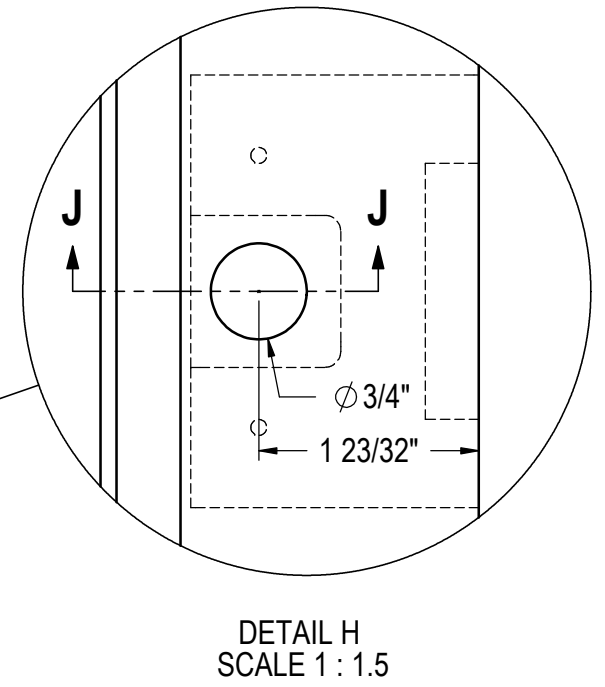
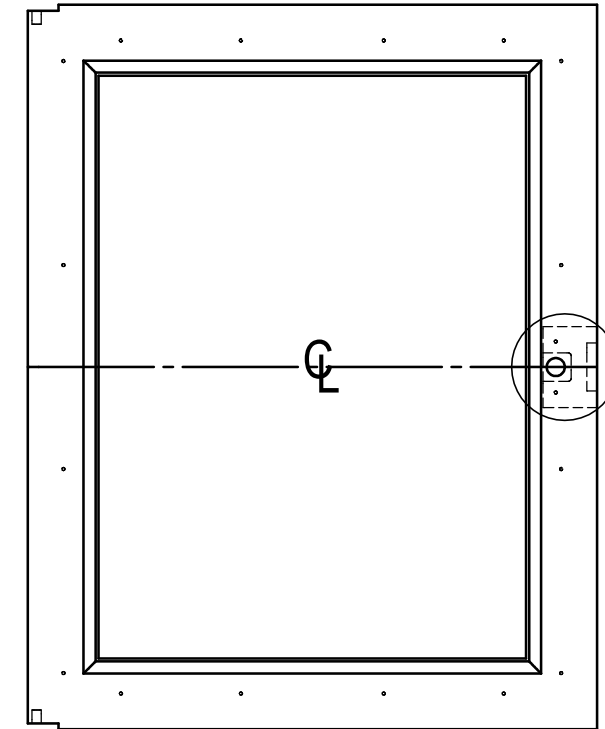
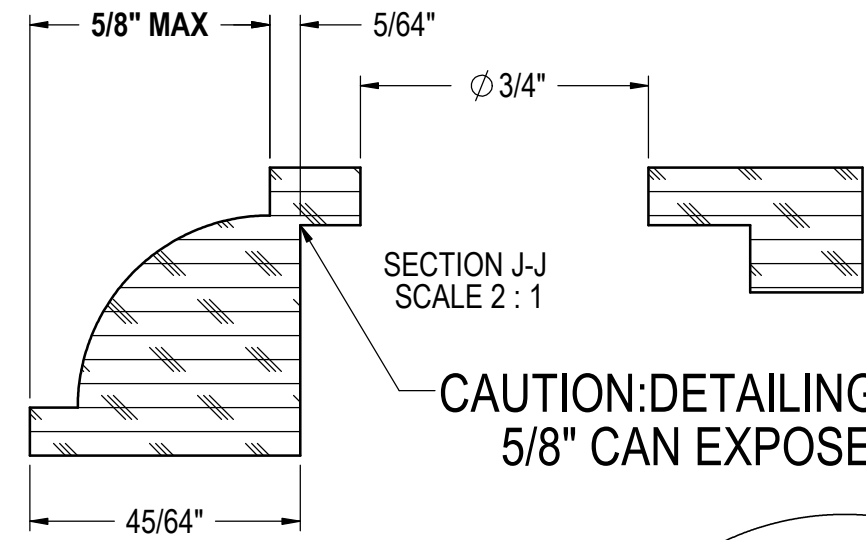
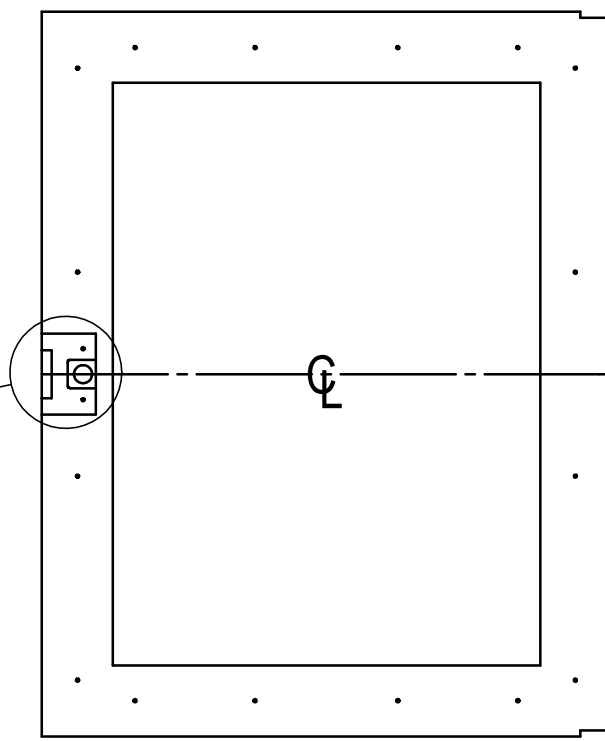
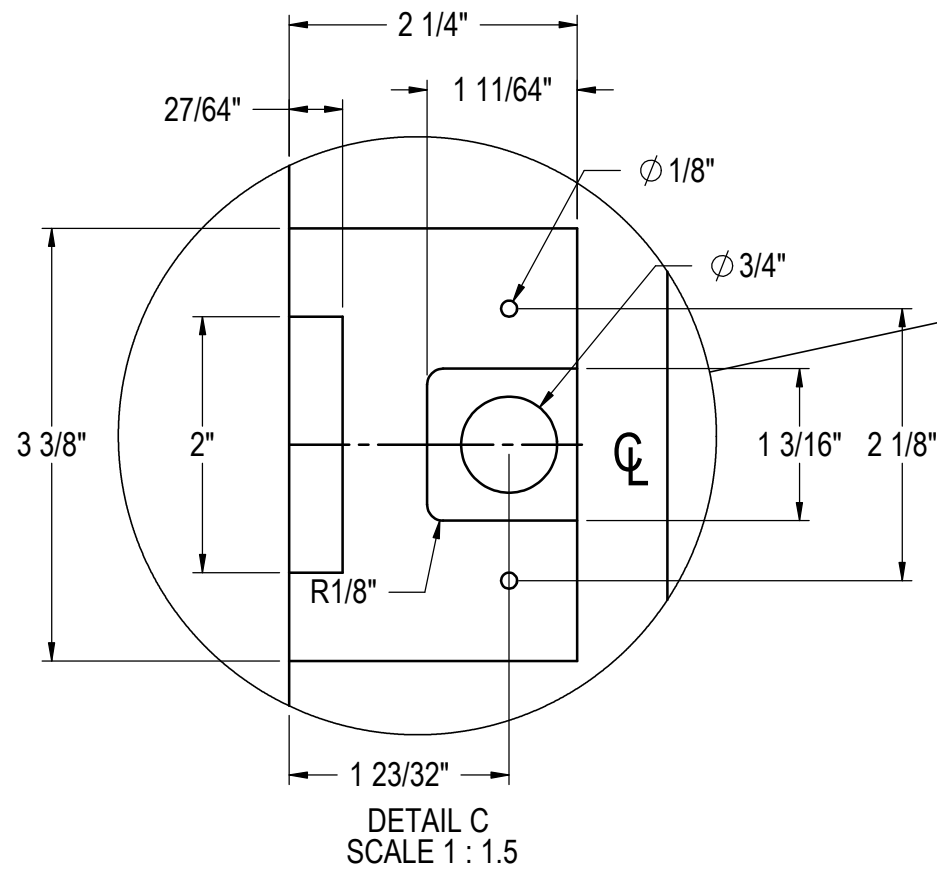


**NOTE: VALID FOR ANY ORDERS  
ENTER ON OR AFTER JAN. 1, 2016**

RELEASE FOR PRODUCTION		
<b>A</b>	11/10/2015	JMP
REVISIONS		

<b>MATERIAL:</b> WOOD	<b>SIGNATURES</b>	<b>DATE</b>	<b>Perlick Corporation</b> Milwaukee, Wisconsin
	DESIGNED JMP	11/10/2015	
<b>QTY.:</b>	DRAWN JMP	11/10/2015	TITLE: WOOD OVERLAY, GLASS DOOR 24" RESIDENTIAL STD. HEIGHT DOOR
	UNLESS OTHERWISE SPECIFIED: DIMENSIONS ARE IN INCHES TOLERANCES: X = ±.1, .XX = ±.03, .XXX = ±.015, ANGULAR: ±1.5°, FRACTIONS: ±1/64 BREAK SHARP EDGES - .015 X 45° RADIUS SHARP FILLETS - .015 TO .031 HOLES: $\phi$ .0135 THRU $\phi$ .125: ±.004 $\phi$ .126 THRU $\phi$ .250: ±.005 $\phi$ .251 THRU $\phi$ .500: ±.006 $\phi$ .501 THRU $\phi$ .750: ±.008 $\phi$ .751 THRU $\phi$ 1.000: ±.010 $\phi$ 1.001 & UP: ±.012		
<b>FINISH:</b> CUSTOM			REFERENCE: PART NO. 68135A-3
			DWG NO. <b>68135A</b>
			PURCHASE REC.: SCALE = 1:5
			SHEET 3 OF 9

THIS DOCUMENT / PUBLICATION / SOFTWARE / DRAWING CONTAINS PROPRIETARY INFORMATION WHICH IS THE PROPERTY OF THE PERLICK CORPORATION. IT MAY NOT BE REPRODUCED OR TRANSMITTED IN ANY FORM, ELECTRONIC OR MECHANICAL, INCLUDING PHOTOCOPYING, RECORDING, OR USED IN ANY INFORMATION STORAGE, TRANSMISSION, OR RETRIEVAL SYSTEM, WITHOUT WRITTEN PERMISSION FROM THE PERLICK CORPORATION. COPYRIGHT 2001 PERLICK CORPORATION. ALL RIGHTS RESERVED.



**NOTE: VALID FOR ANY ORDERS  
ENTER ON OR AFTER JAN. 1, 2016**

RELEASE FOR PRODUCTION		
A	11/10/2015	JMP
REVISIONS		

MATERIAL: WOOD - CUSTOMER DISCRETION	SIGNATURES	DATE	<b>Perlick Corporation</b> Milwaukee, Wisconsin		
	DESIGNED JMP	11/10/2015			
QTY.:	DRAWN JMP	11/10/2015	TITLE: WOOD OVERLAY, GLASS DOOR HP, HC, & BACK BAR DOORS w/LOCKS		
	FINISH: CUSTOM	UNLESS OTHERWISE SPECIFIED: DIMENSIONS ARE IN INCHES TOLERANCES: X = ±.1, .XX = ±.03, .XXX = ±.015, ANGULAR: ±1.5°, FRACTIONS: ±1/64 BREAK SHARP EDGES - .015 X 45° RADIUS SHARP FILLETS - .015 TO .031 HOLES: Ø.0135 THRU Ø.125: ±.004 Ø.1260 THRU Ø.250: ±.005 Ø.2510 THRU Ø.500: ±.006 Ø.5010 THRU Ø.750: ±.008 Ø.7510 THRU Ø.1.000: ±.010 Ø.1.001 & UP: ±.012			
REFERENCE:		PART NO.	DWG NO.	SCALE = 1:8	
PURCHASE REC.:		68135A		SHEET 9 OF 9	

THIS DOCUMENT / PUBLICATION / SOFTWARE / DRAWING CONTAINS PROPRIETARY INFORMATION WHICH IS THE PROPERTY OF THE PERLICK CORPORATION. IT MAY NOT BE REPRODUCED OR TRANSMITTED IN ANY FORM, ELECTRONIC OR MECHANICAL, INCLUDING PHOTOCOPYING, RECORDING, OR USED IN ANY INFORMATION STORAGE, TRANSMISSION, OR RETRIEVAL SYSTEM, WITHOUT WRITTEN PERMISSION FROM THE PERLICK CORPORATION. COPYRIGHT 2001 PERLICK CORPORATION. ALL RIGHTS RESERVED.