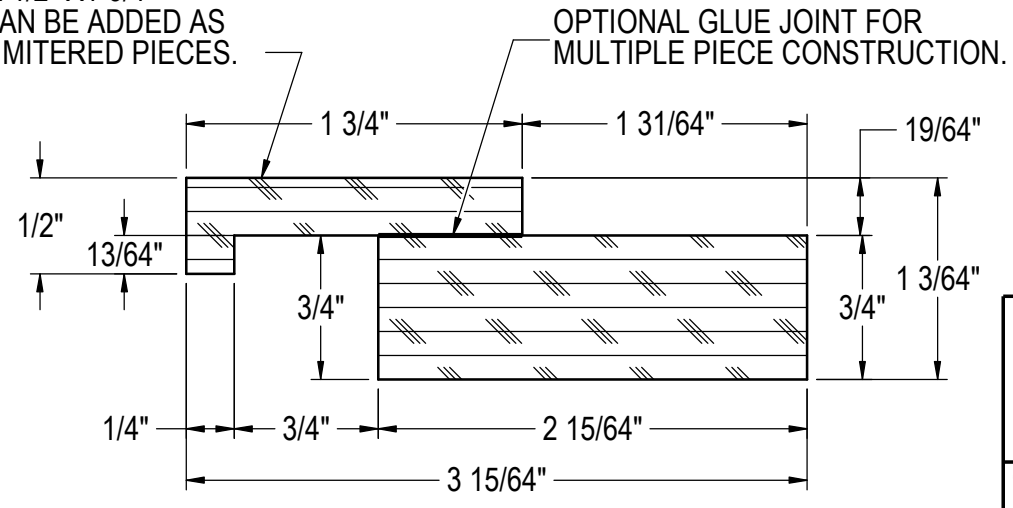
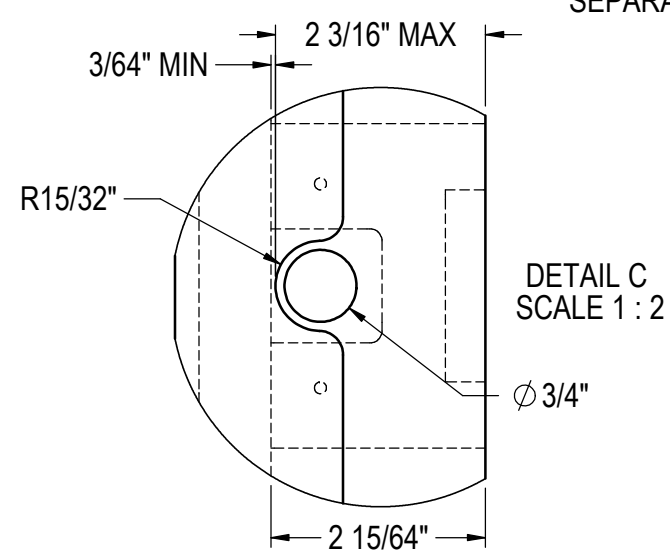


SEE SHEET 8 FOR LOCK DETAILS

BACK VIEW

NOTE: THE 1/2" X 1-3/4" SECTION CAN BE ADDED AS SEPARATE MITERED PIECES.



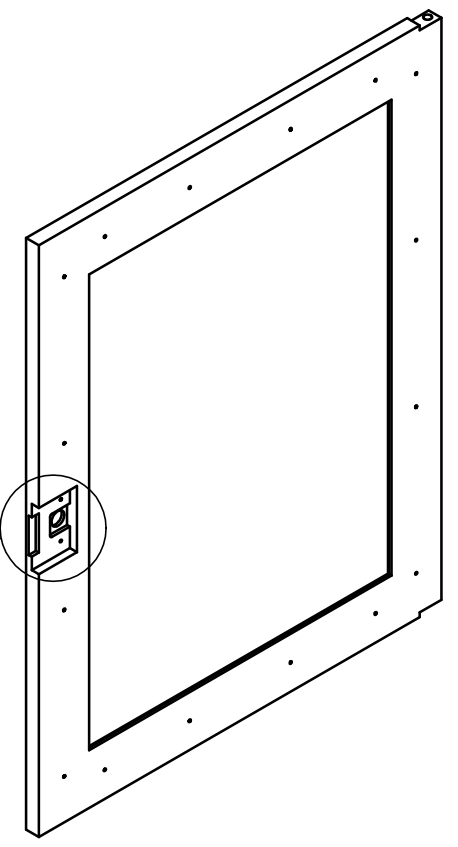
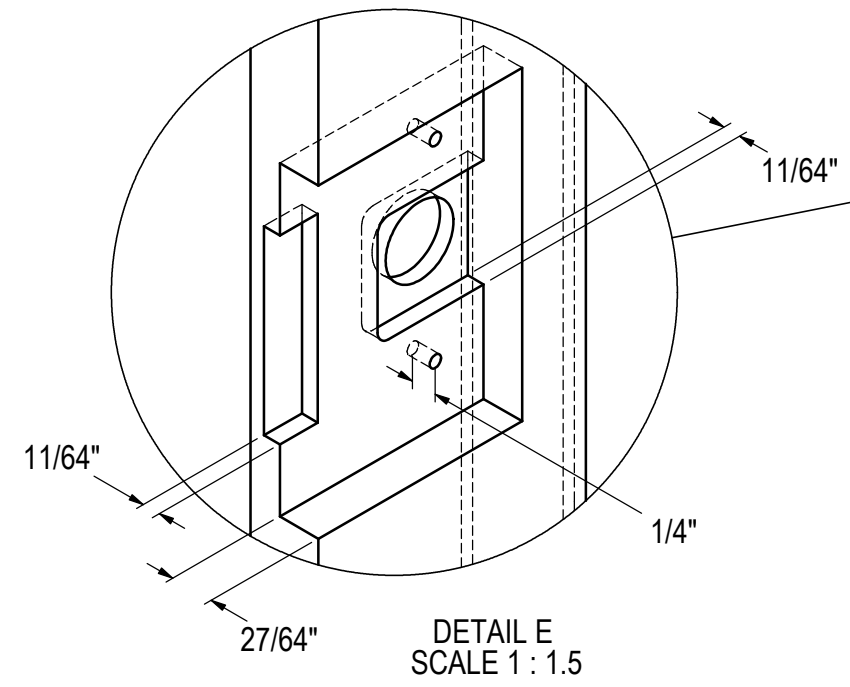
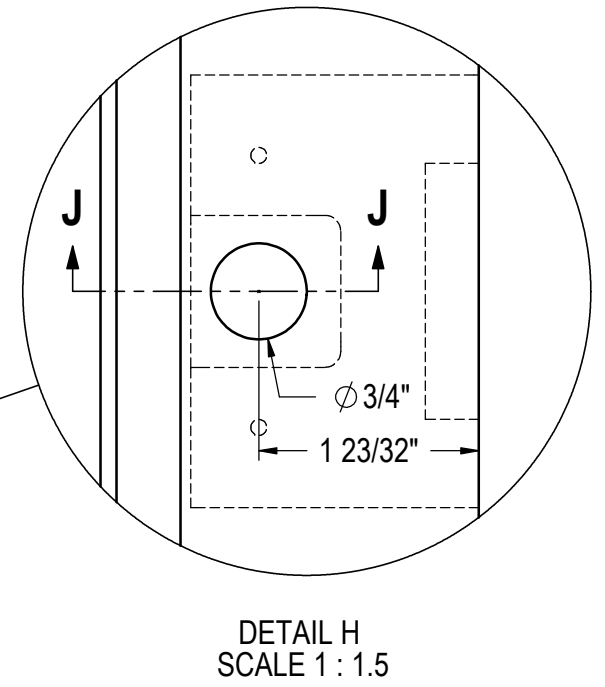
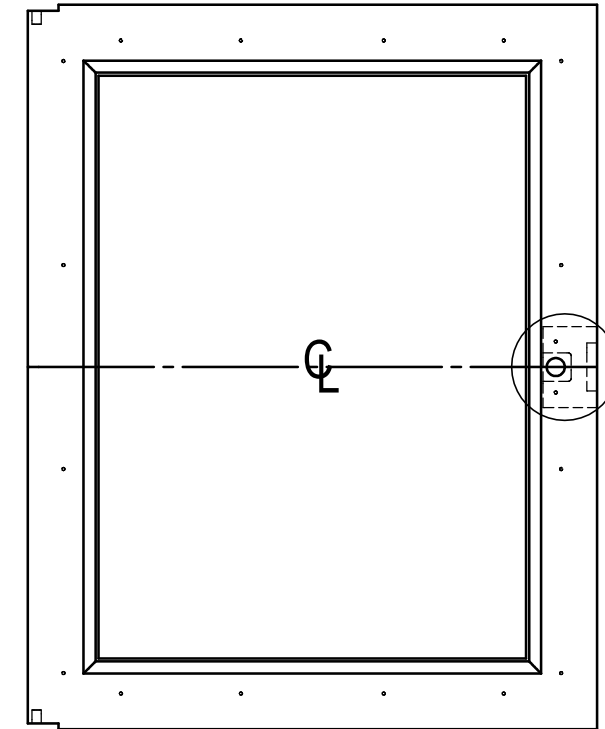
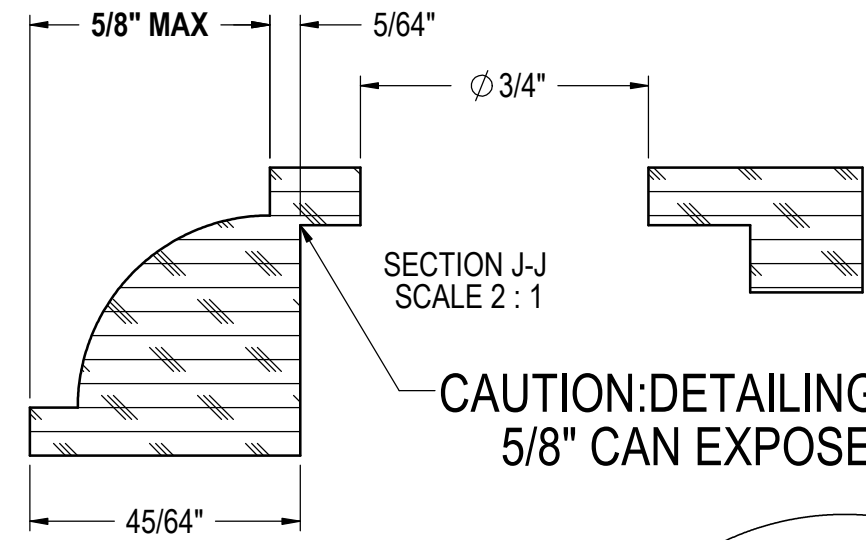
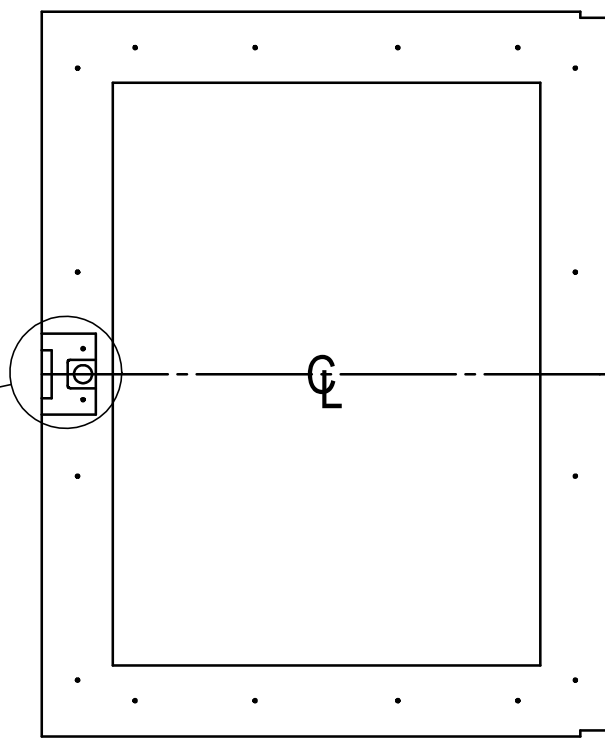
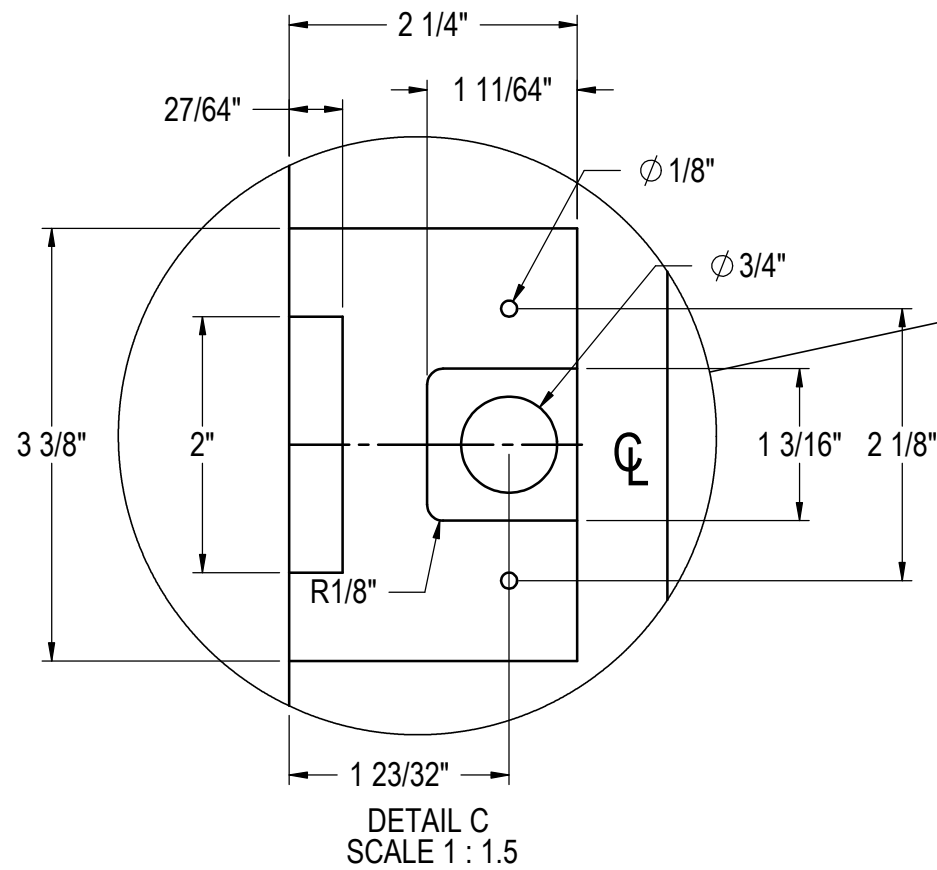
CROSS SECTION TYPICAL ALL 4 SIDES

NOTE: VALID FOR ANY ORDERS ENTER ON OR AFTER JAN. 1, 2016

RELEASE FOR PRODUCTION		
A	11/10/2015	JMP
REVISIONS		

MATERIAL: WOOD	SIGNATURES	DATE	Perlick Corporation Milwaukee, Wisconsin
	DESIGNED JMP	11/10/2015	
QTY.:	DRAWN JMP	11/10/2015	TITLE: GLASS DOOR WOOD OVERLAY 20" DOOR, BACK BAR
	FINISH: CUSTOM	<small>UNLESS OTHERWISE SPECIFIED: DIMENSIONS ARE IN INCHES TOLERANCES: X = ±.1, .XX = ±.03, .XXX = ±.015, ANGULAR: ±1.5°, FRACTIONS: ±1/64 BREAK SHARP EDGES - .015 X 45° RADIUS SHARP FILLETS - .015 TO .031 HOLES: Ø.0135 THRU Ø.125: ±.004 Ø.1260 THRU Ø.250: ±.005 Ø.2510 THRU Ø.500: ±.006 Ø.5010 THRU Ø.750: ±.008 Ø.7510 THRU Ø.1.000: ±.010 Ø.1.001 & UP: ±.012</small>	
REFERENCE:		PART NO. 68135A-2	DWG NO. 68135A
		PURCHASE REC.:	SCALE = 1:8 SHEET 2 OF 9

THIS DOCUMENT / PUBLICATION / SOFTWARE / DRAWING CONTAINS PROPRIETARY INFORMATION WHICH IS THE PROPERTY OF THE PERLICK CORPORATION. IT MAY NOT BE REPRODUCED OR TRANSMITTED IN ANY FORM, ELECTRONIC OR MECHANICAL, INCLUDING PHOTOCOPYING, RECORDING, OR USED IN ANY INFORMATION STORAGE, TRANSMISSION, OR RETRIEVAL SYSTEM, WITHOUT WRITTEN PERMISSION FROM THE PERLICK CORPORATION. COPYRIGHT 2001 PERLICK CORPORATION. ALL RIGHTS RESERVED.



**NOTE: VALID FOR ANY ORDERS
ENTER ON OR AFTER JAN. 1, 2016**

RELEASE FOR PRODUCTION		
A	11/10/2015	JMP
REVISIONS		

MATERIAL: WOOD - CUSTOMER DISCRETION	SIGNATURES	DATE	Perlick Corporation Milwaukee, Wisconsin
	DESIGNED JMP	11/10/2015	
QTY.:	DRAWN JMP	11/10/2015	TITLE: WOOD OVERLAY, GLASS DOOR HP, HC, & BACK BAR DOORS w/LOCKS
	FINISH: CUSTOM	REFERENCE:	
UNLESS OTHERWISE SPECIFIED: DIMENSIONS ARE IN INCHES TOLERANCES: X = ±.1, .XX = ±.03, .XXX = ±.015, ANGULAR: ±1.5°, FRACTIONS: ±1/64 BREAK SHARP EDGES - .015 X 45° RADIUS SHARP FILLETS - .015 TO .031 HOLES: Φ .0135 THRU Φ .125: ±.004 Φ .1260 THRU Φ .250: ±.005 Φ .2510 THRU Φ .500: ±.006 Φ .5010 THRU Φ .750: ±.008 Φ .7510 THRU Φ 1.000: ±.010 Φ 1.001 & UP: ±.012		PART NO.	DWG NO. 68135A
		PURCHASE REC.:	SCALE = 1:8 SHEET 9 OF 9

THIS DOCUMENT / PUBLICATION / SOFTWARE / DRAWING CONTAINS PROPRIETARY INFORMATION WHICH IS THE PROPERTY OF THE PERLICK CORPORATION. IT MAY NOT BE REPRODUCED OR TRANSMITTED IN ANY FORM, ELECTRONIC OR MECHANICAL, INCLUDING PHOTOCOPYING, RECORDING, OR USED IN ANY INFORMATION STORAGE, TRANSMISSION, OR RETRIEVAL SYSTEM, WITHOUT WRITTEN PERMISSION FROM THE PERLICK CORPORATION. COPYRIGHT 2001 PERLICK CORPORATION. ALL RIGHTS RESERVED.