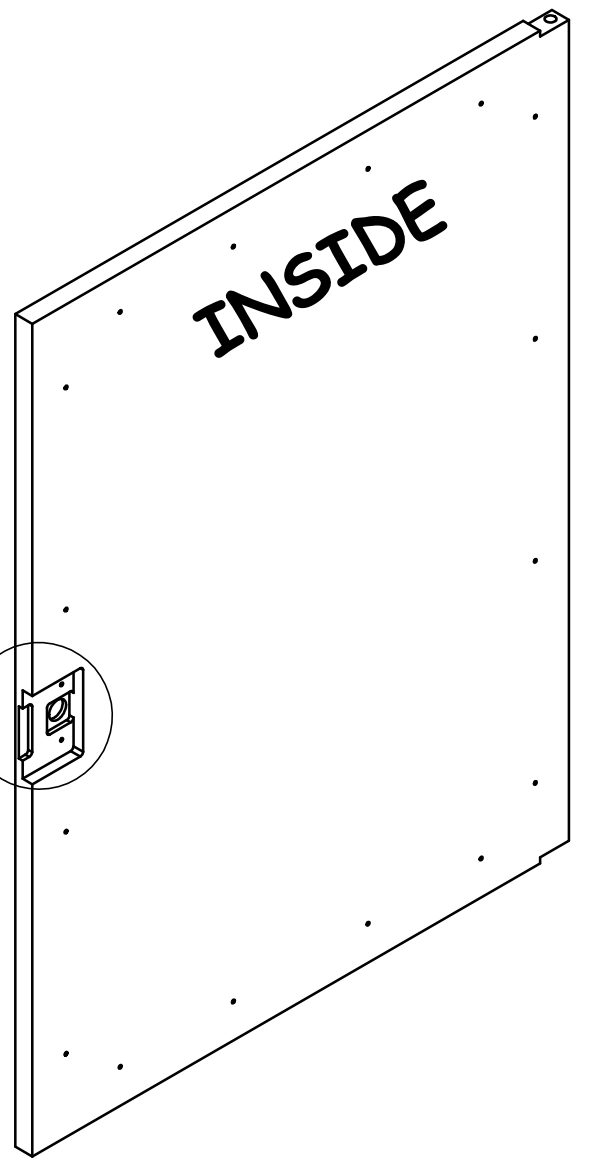
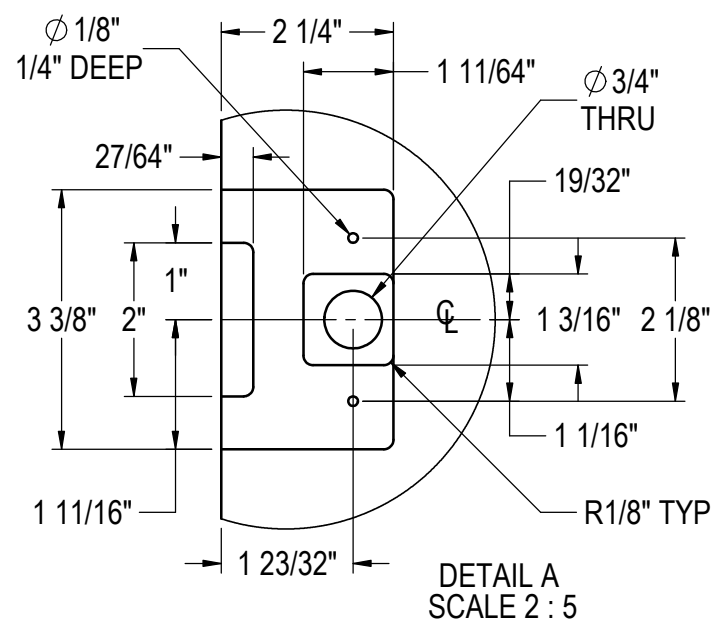
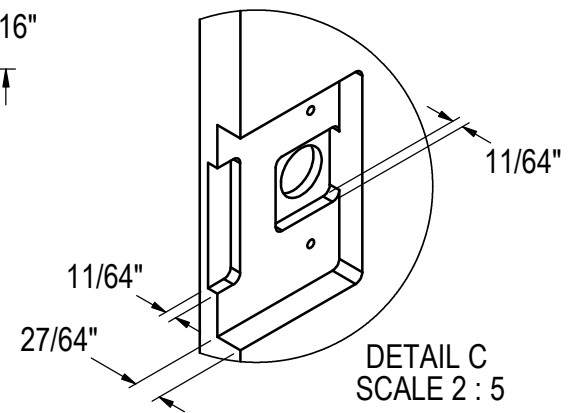
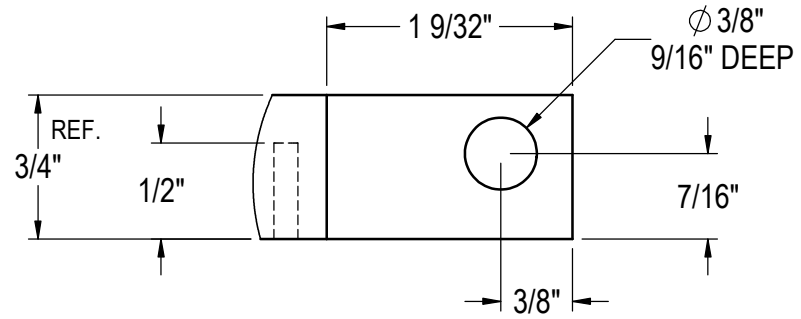


**NOTE: VALID FOR ANY ORDERS  
ENTER ON OR AFTER JAN. 1, 2016**

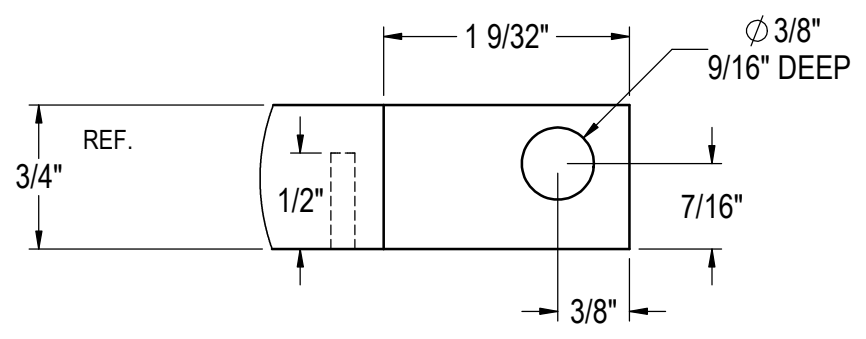
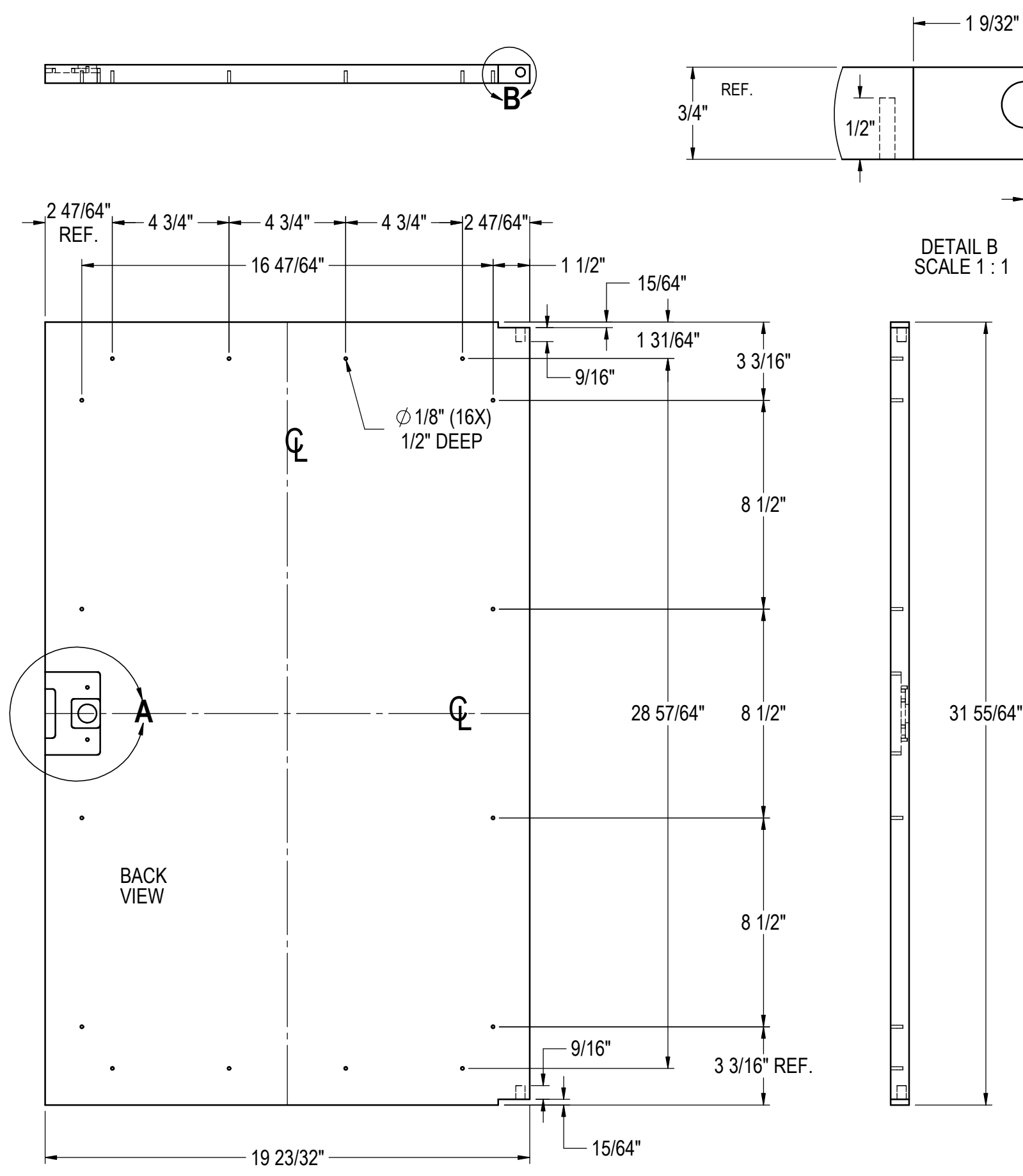


RELEASE FOR PRODUCTION		
A	11/10/2015	JMP
REVISIONS		

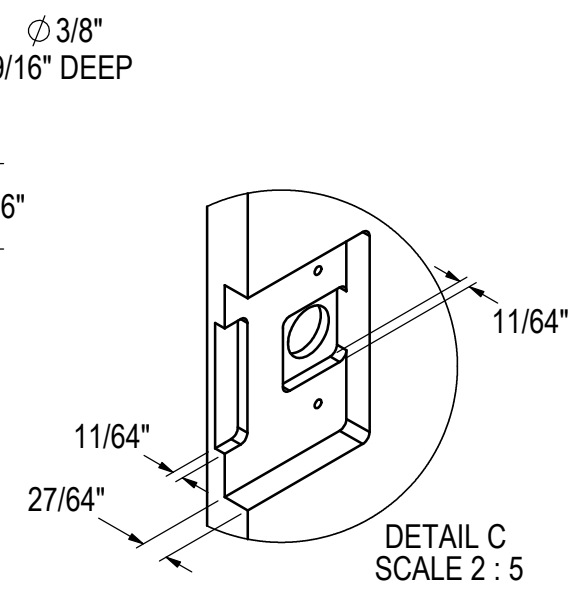
UNLESS OTHERWISE SPECIFIED:	SIGNATURES	DATE
DIMENSIONS ARE IN INCHES	DESIGNED JMP	11/10/2015
TOLERANCES: .X = ±.05, .XX = ±.01, .XXX = ±.005,	DRAWN JMP	11/10/2015
ANGULAR: ±5°, FRACTIONS: ±1/64	CHECKED	11/10/2015
BREAK SHARP EDGES - .015 X 45°.		
RADIUS SHARP FILLETS - .015 TO .031		

<b>Perlick Corporation</b> Milwaukee, Wisconsin	
TITLE: <b>SOLID WOOD OVERLAY, BACK BAR, 24" DOOR</b>	
REFERENCE: N/A	QTY.:
PART NO. 68134A-1	FINISH:
PURCHASE REC.:	SCALE = 1:5
DWG NO. <b>68134A</b>	SHEET 1 OF 17

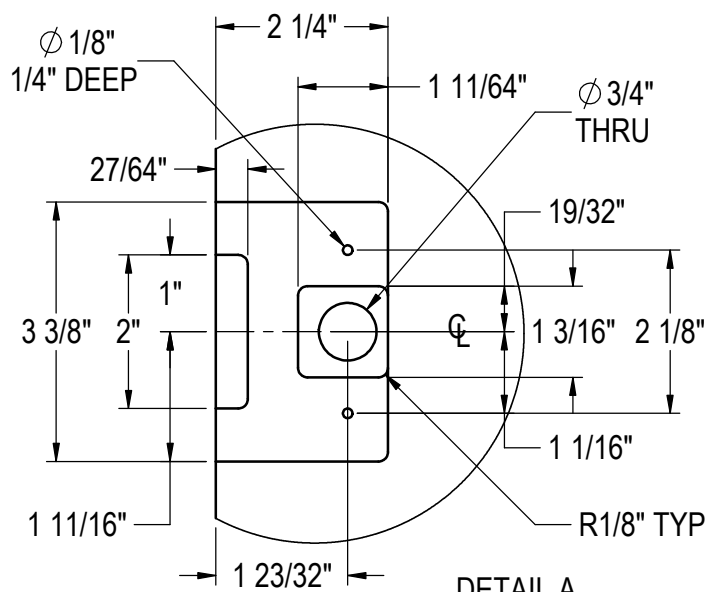
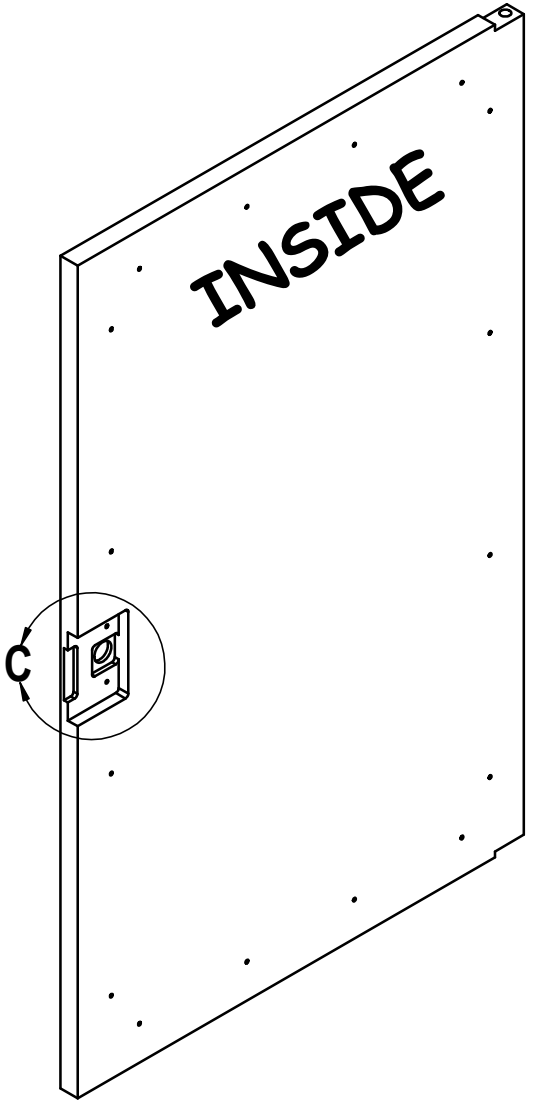
THIS DOCUMENT / PUBLICATION / SOFTWARE / DRAWING CONTAINS PROPRIETARY INFORMATION WHICH IS THE PROPERTY OF THE PERLICK CORPORATION. IT MAY NOT BE REPRODUCED OR TRANSMITTED IN ANY FORM, ELECTRONIC OR MECHANICAL, INCLUDING PHOTOCOPYING, RECORDING, OR USED IN ANY INFORMATION STORAGE, TRANSMISSION, OR RETRIEVAL SYSTEM, WITHOUT WRITTEN PERMISSION FROM THE PERLICK CORPORATION. COPYRIGHT 2001 PERLICK CORPORATION. ALL RIGHTS RESERVED.



DETAIL B  
SCALE 1 : 1



DETAIL C  
SCALE 2 : 5



DETAIL A  
SCALE 2 : 5

RELEASE FOR PRODUCTION		
A	11/10/2015	JMP
REVISIONS		

UNLESS OTHERWISE SPECIFIED: DIMENSIONS ARE IN INCHES TOLERANCES: .X = ±.05, .XX = ±.01, .XXX = ±.005, ANGULAR: ±.5°, FRACTIONS: ±1/64 BREAK SHARP EDGES - .015 X 45°. RADIUS SHARP FILLETS - .015 TO .031	SIGNATURES	DATE
	DESIGNED JMP	11/10/2015
	DRAWN JMP	11/10/2015
CHECKED	11/10/2015	

**Perlick Corporation**  
Milwaukee, Wisconsin

TITLE:  
**SOLID WOOD OVERLAY,  
BACK BAR, 20" DOOR**

MATERIAL:  
WOOD

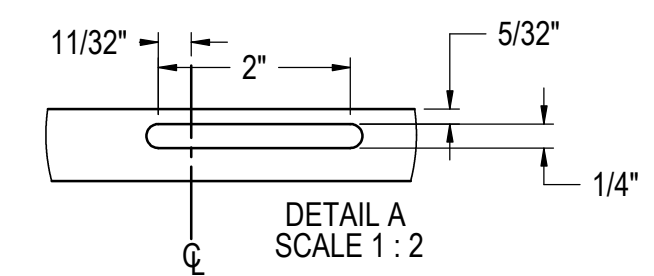
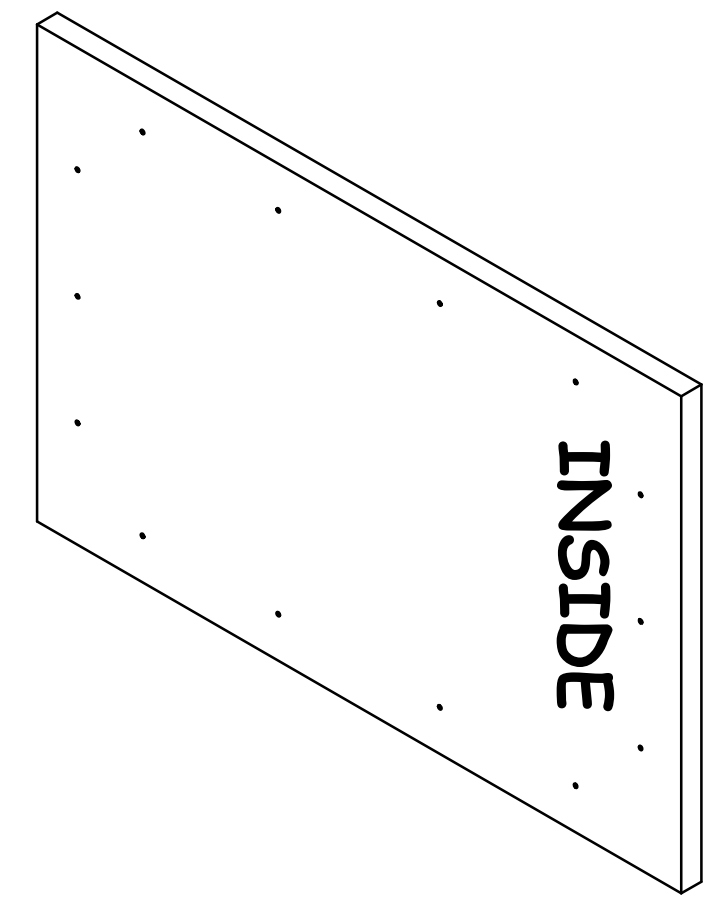
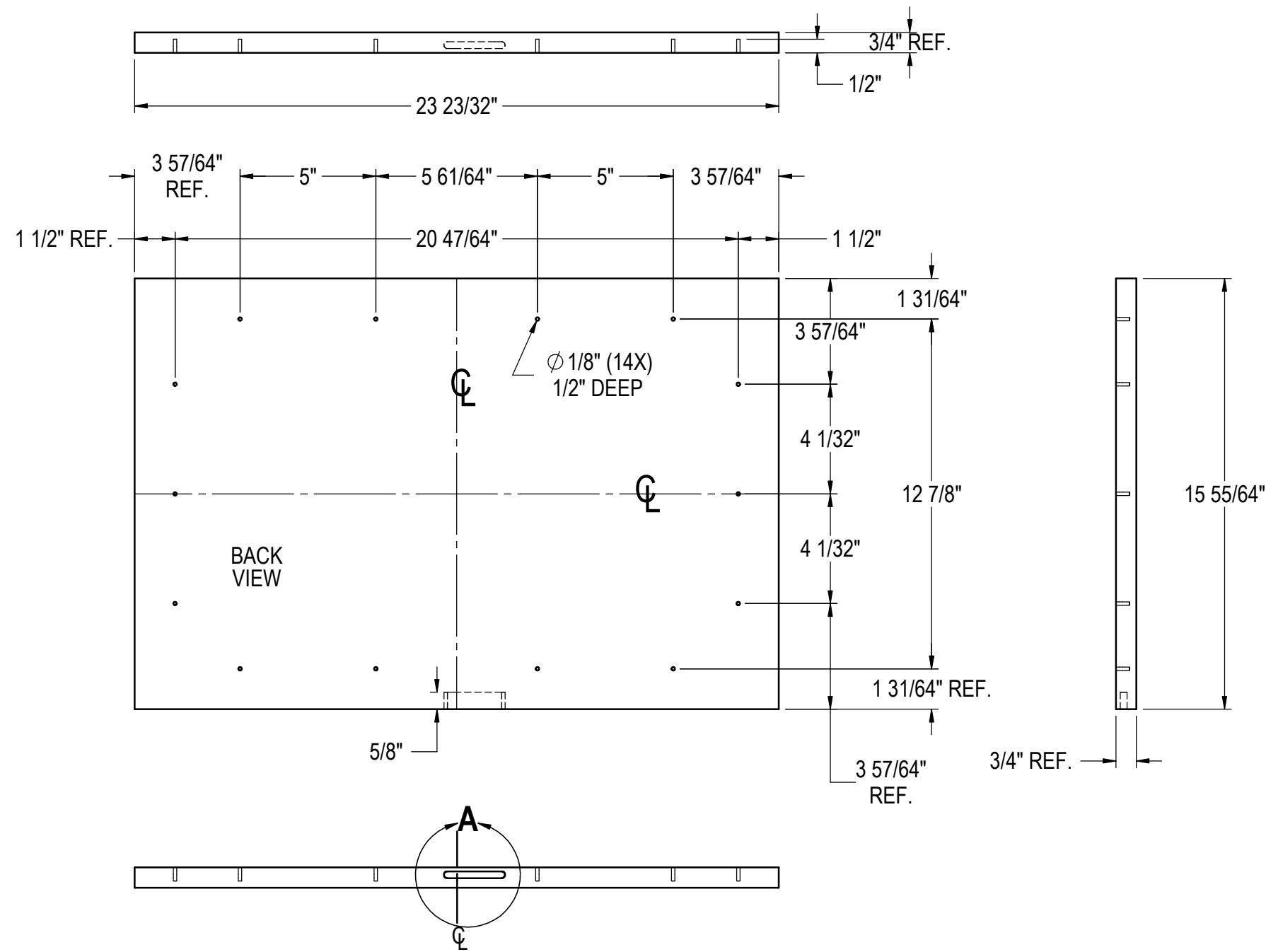
QTY.:  
FINISH:

REFERENCE:  
PART NO. 68134A-2      DWG NO. **68134A**

PURCHASE REC.:      SCALE = 1:5      SHEET 2 OF 17

**NOTE: VALID FOR ANY ORDERS  
ENTER ON OR AFTER JAN. 1, 2016**

THIS DOCUMENT / PUBLICATION / SOFTWARE / DRAWING CONTAINS PROPRIETARY INFORMATION WHICH IS THE PROPERTY OF THE PERLICK CORPORATION. IT MAY NOT BE REPRODUCED OR TRANSMITTED IN ANY FORM, ELECTRONIC OR MECHANICAL, INCLUDING PHOTOCOPYING, RECORDING, OR USED IN ANY INFORMATION STORAGE, TRANSMISSION, OR RETRIEVAL SYSTEM, WITHOUT WRITTEN PERMISSION FROM THE PERLICK CORPORATION. COPYRIGHT 2001 PERLICK CORPORATION. ALL RIGHTS RESERVED.



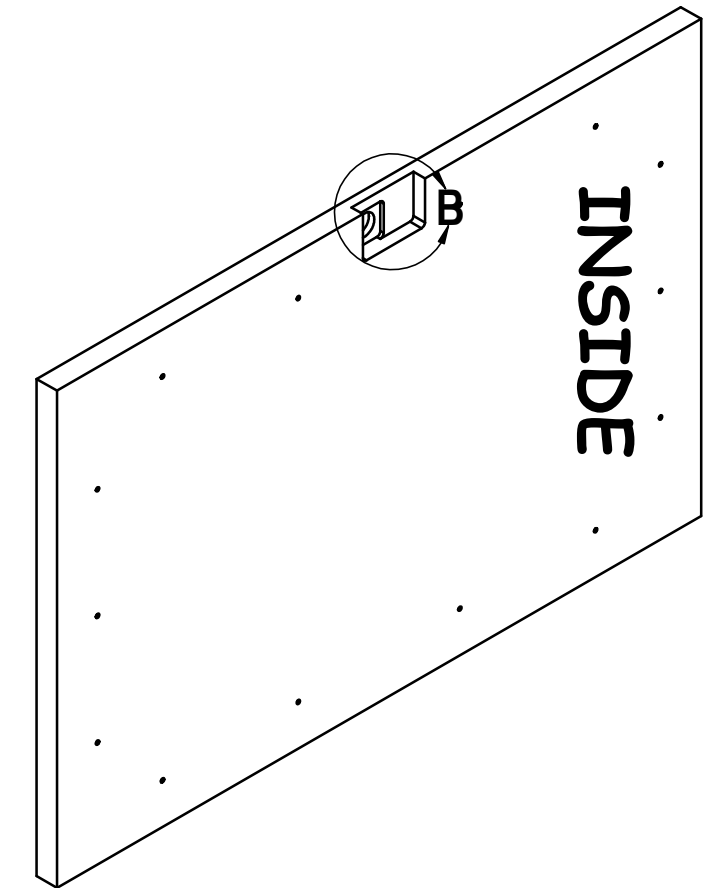
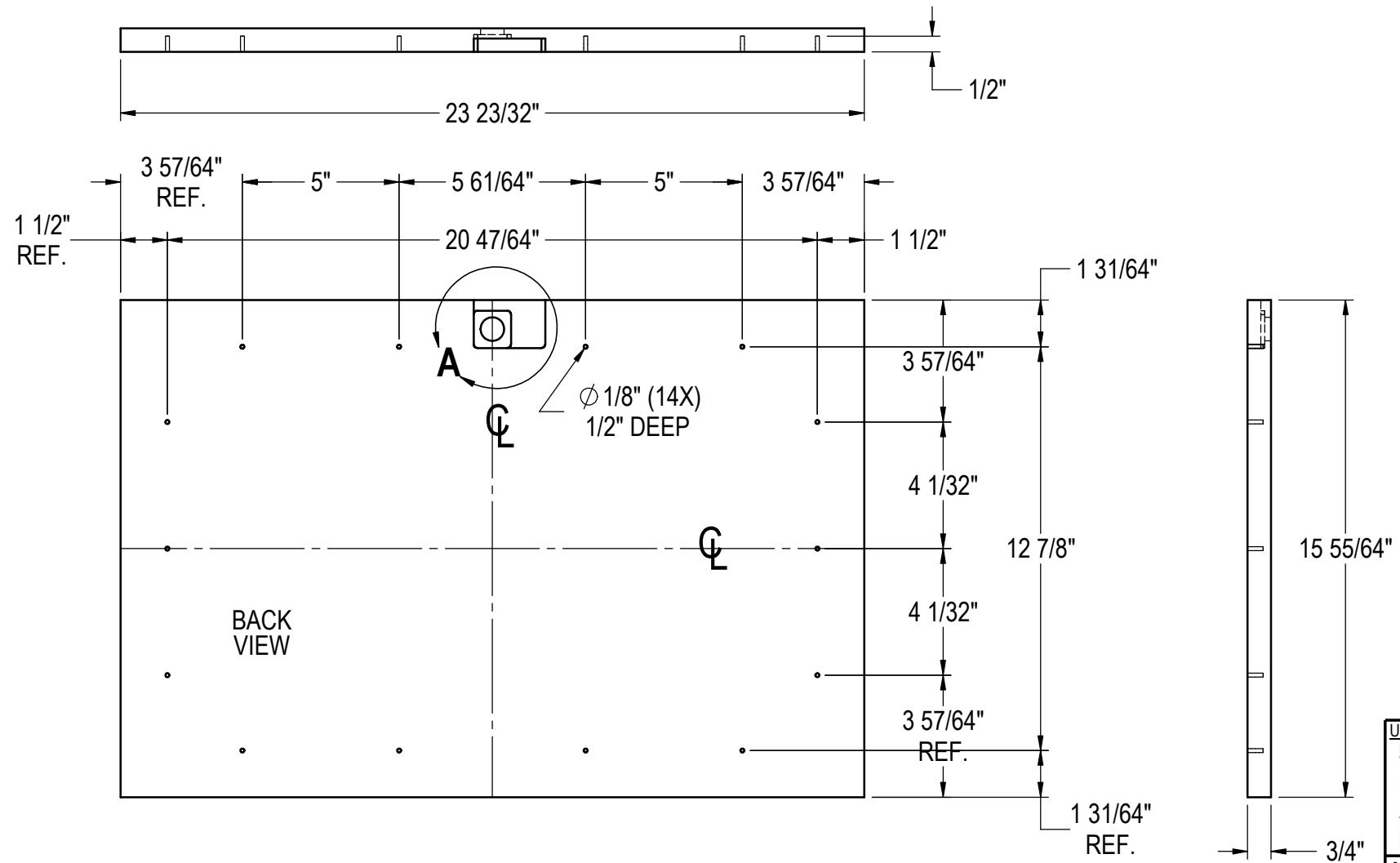
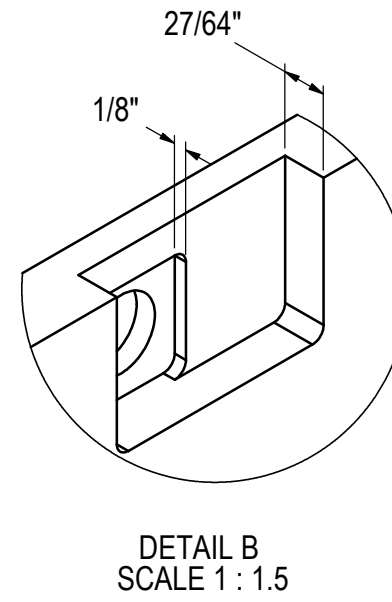
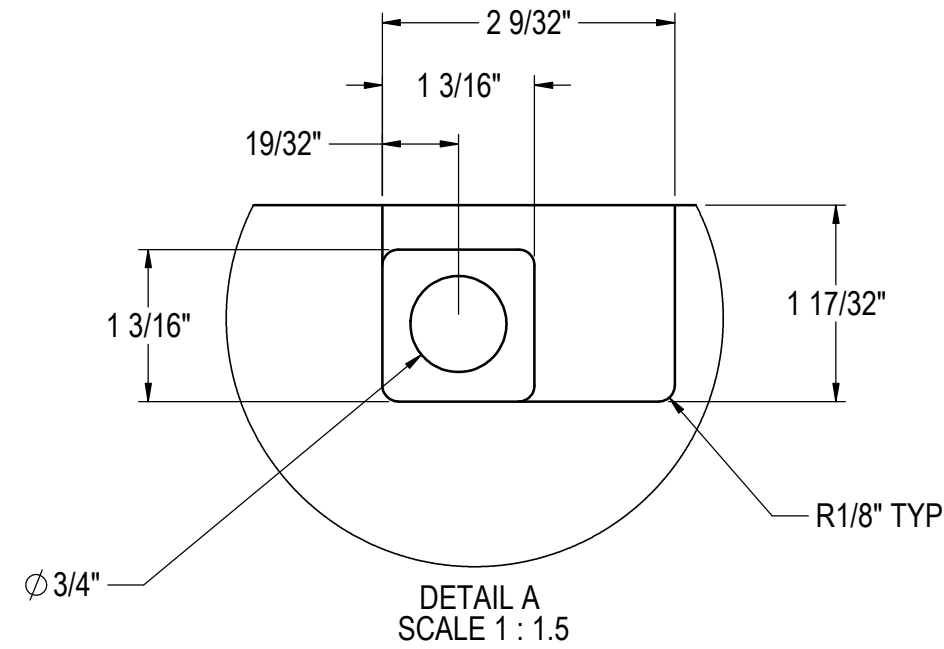
THIS FEATURE ONLY REQUIRED ON UPPER DRAWERS WITH LOCKS.

**NOTE: VALID FOR ANY ORDERS  
ENTER ON OR AFTER JAN. 1, 2016**

RELEASE FOR PRODUCTION		
A	11/10/2015	JMP
REVISIONS		

MATERIAL: WOOD	SIGNATURES	DATE	<b>Perlick Corporation</b> Milwaukee, Wisconsin		
	DESIGNED JMP	11/10/2015			
QTY.:	DRAWN JMP	11/10/2015	TITLE: SOLID WOOD OVERLAY STD. DRAWERS, BACK BAR		
	FINISH:	UNLESS OTHERWISE SPECIFIED: DIMENSIONS ARE IN INCHES TOLERANCES: X = ±.05, XX = ±.01, XXX = ±.005, ANGULAR: ±.5°, FRACTIONS: ±1/64 BREAK SHARP EDGES - .015 X 45° RADIUS SHARP FILLETS - .015 TO .031 HOLES: $\phi$ .0135 THRU $\phi$ .125: ±.004 $\phi$ .126 THRU $\phi$ .250: ±.005 $\phi$ .251 THRU $\phi$ .500: ±.006 $\phi$ .501 THRU $\phi$ .750: ±.008 $\phi$ .751 THRU $\phi$ 1.000: ±.010 $\phi$ 1.001 & UP: ±.012			
REFERENCE:		PART NO. 68134A-9	DWG NO. 68134A	SHEET 9 OF 17	
		PURCHASE REC.:	SCALE = 1:5		

THIS DOCUMENT / PUBLICATION / SOFTWARE / DRAWING CONTAINS PROPRIETARY INFORMATION WHICH IS THE PROPERTY OF THE PERLICK CORPORATION. IT MAY NOT BE REPRODUCED OR TRANSMITTED IN ANY FORM, ELECTRONIC OR MECHANICAL, INCLUDING PHOTOCOPYING, RECORDING, OR USED IN ANY INFORMATION STORAGE, TRANSMISSION, OR RETRIEVAL SYSTEM, WITHOUT WRITTEN PERMISSION FROM THE PERLICK CORPORATION. COPYRIGHT 2001 PERLICK CORPORATION. ALL RIGHTS RESERVED.

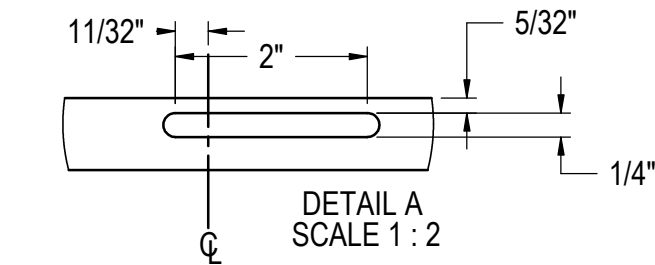
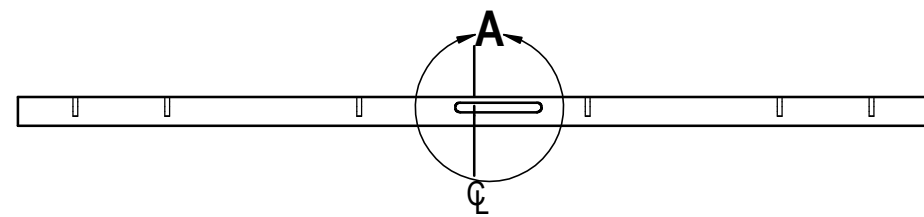
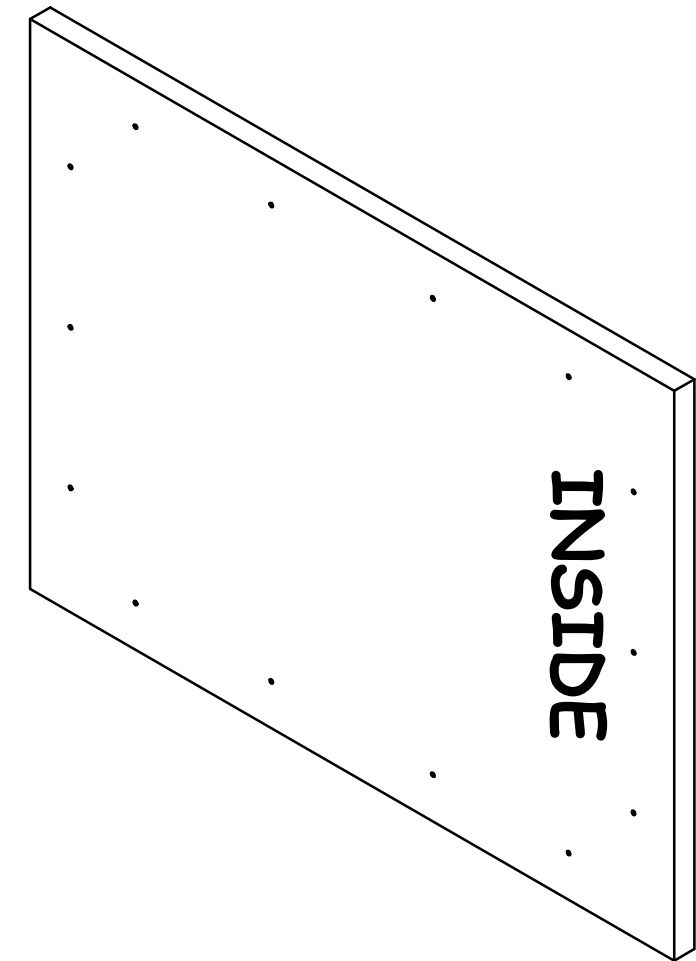
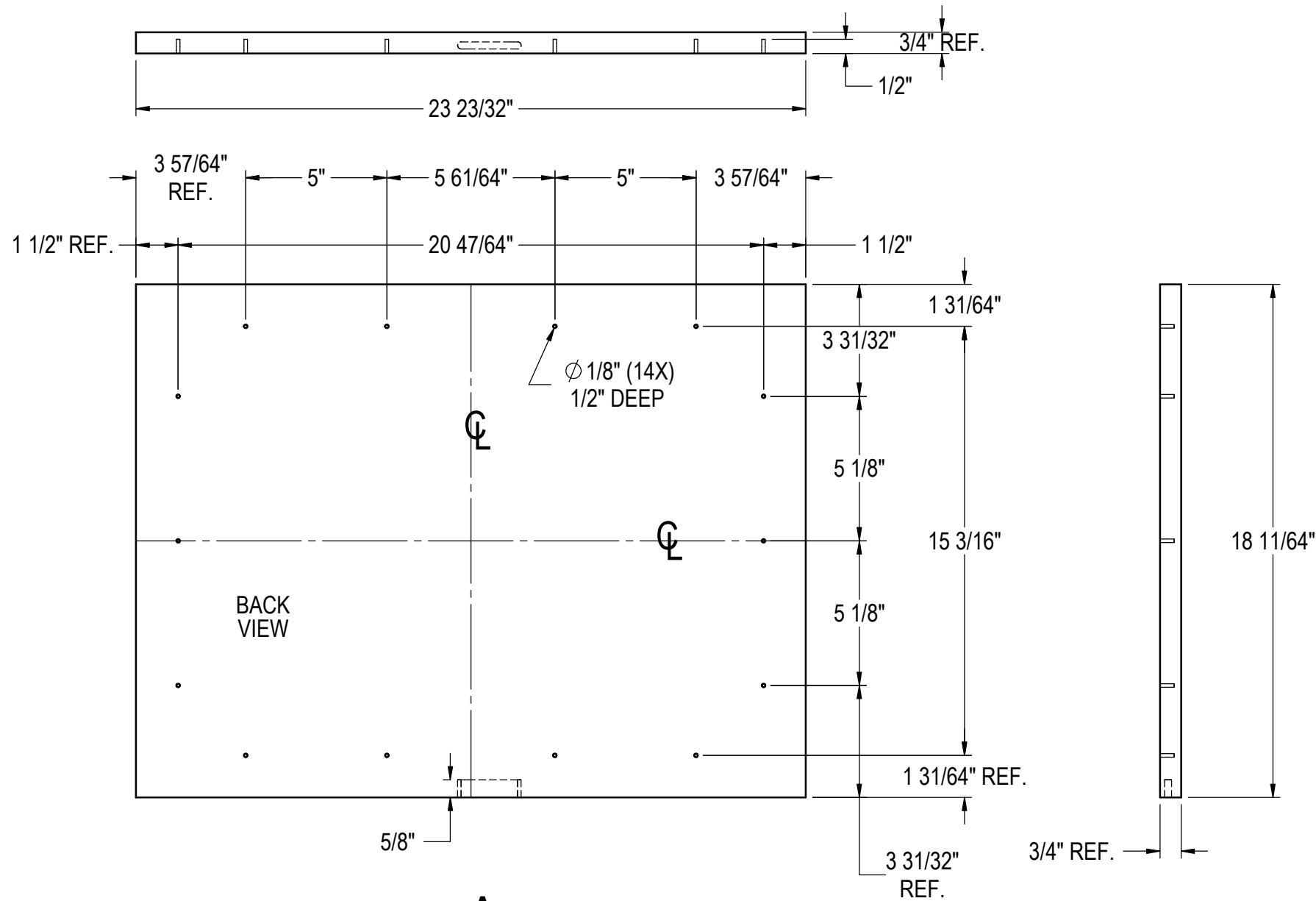


**NOTE: VALID FOR ANY ORDERS  
ENTER ON OR AFTER JAN. 1, 2016**

RELEASE FOR PRODUCTION		
A	11/10/2015	JMP
REVISIONS		

<small>UNLESS OTHERWISE SPECIFIED: DIMENSIONS ARE IN INCHES TOLERANCES: .X = ±.05, .XX = ±.01, .XXX = ±.005, ANGULAR: ±.5°, FRACTIONS: ±1/64 BREAK SHARP EDGES - .015 X 45°. RADIUS SHARP FILLETS - .015 TO .031</small>	<b>SIGNATURES</b>	<b>DATE</b>	<b>Perlick Corporation</b> <b>Milwaukee, Wisconsin</b> <b>TITLE:</b> <b>SOLID WOOD OVERLAY</b> <b>STD. DRAWERS W/LOCK, BACK BAR</b>
	DESIGNED JMP	11/10/2015	
DRAWN JMP	11/10/2015		
	CHECKED	11/10/2015	<b>REFERENCE:</b> <b>PART NO.</b> 68134A-9L
<b>MATERIAL:</b> WOOD	<b>QTY.:</b>	<b>FINISH:</b>	<b>DWG NO.</b> <b>68134A</b>
			<b>PURCHASE REC.:</b> SCALE = 1:5
			<b>SHEET 10 OF 17</b>

THIS DOCUMENT / PUBLICATION / SOFTWARE / DRAWING CONTAINS PROPRIETARY INFORMATION WHICH IS THE PROPERTY OF THE PERLICK CORPORATION. IT MAY NOT BE REPRODUCED OR TRANSMITTED IN ANY FORM, ELECTRONIC OR MECHANICAL, INCLUDING PHOTOCOPYING, RECORDING, OR USED IN ANY INFORMATION STORAGE, TRANSMISSION, OR RETRIEVAL SYSTEM, WITHOUT WRITTEN PERMISSION FROM THE PERLICK CORPORATION. COPYRIGHT 2001 PERLICK CORPORATION. ALL RIGHTS RESERVED.



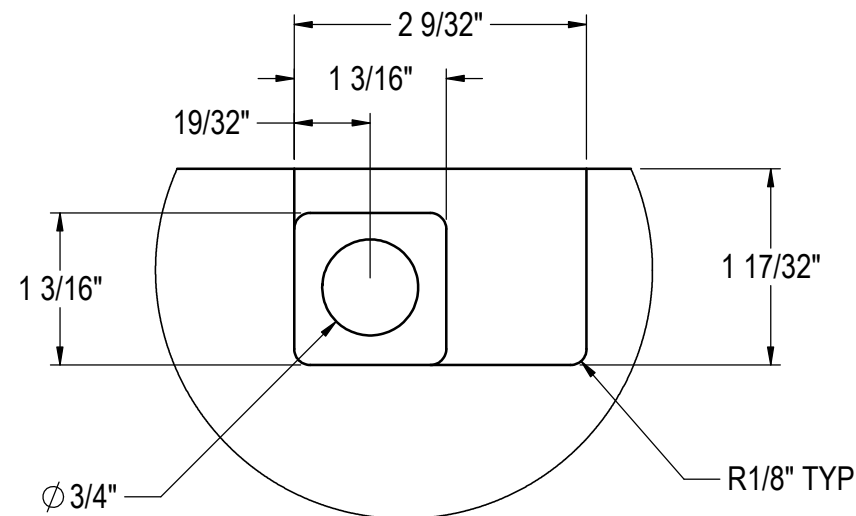
THIS FEATURE ONLY REQUIRED ON UPPER DRAWERS WITH LOCKS.

**NOTE: VALID FOR ANY ORDERS  
ENTER ON OR AFTER JAN. 1, 2016**

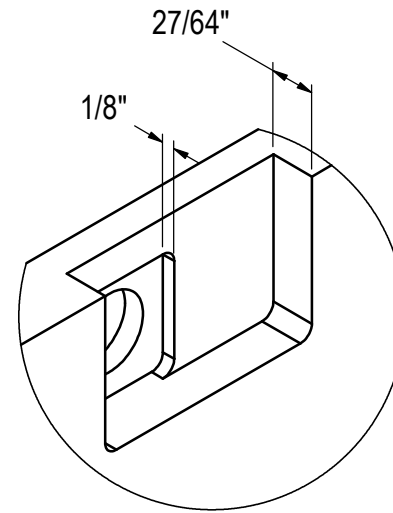
RELEASE FOR PRODUCTION		
A	11/10/2015	JMP
REVISIONS		

MATERIAL: WOOD	SIGNATURES	DATE	<b>Perlick Corporation</b> Milwaukee, Wisconsin	
	DESIGNED JMP	11/10/2015		
QTY.:	DRAWN JMP	11/10/2015	TITLE: SOLID WOOD OVERLAY TALL DRAWER, BACK BAR	
	FINISH:	UNLESS OTHERWISE SPECIFIED: DIMENSIONS ARE IN INCHES TOLERANCES: .X = ±.05, .XX = ±.01, .XXX = ±.005, ANGULAR: ±.5°, FRACTIONS: ±1/64 BREAK SHARP EDGES - .015 X 45° RADIUS SHARP FILLETS - .015 TO .031 HOLES: Φ.0135 THRU Φ.125: ±.004 Φ.1260 THRU Φ.250: ±.005 Φ.2510 THRU Φ.500: ±.006 Φ.5010 THRU Φ.750: ±.008 Φ.7510 THRU Φ.1.000: ±.010 Φ.1.001 & UP: ±.012		
REFERENCE:			PART NO. 68134A-10	DWG NO. 68134A
			PURCHASE REC.:	SCALE = 1:5
			SHEET 11 OF 17	

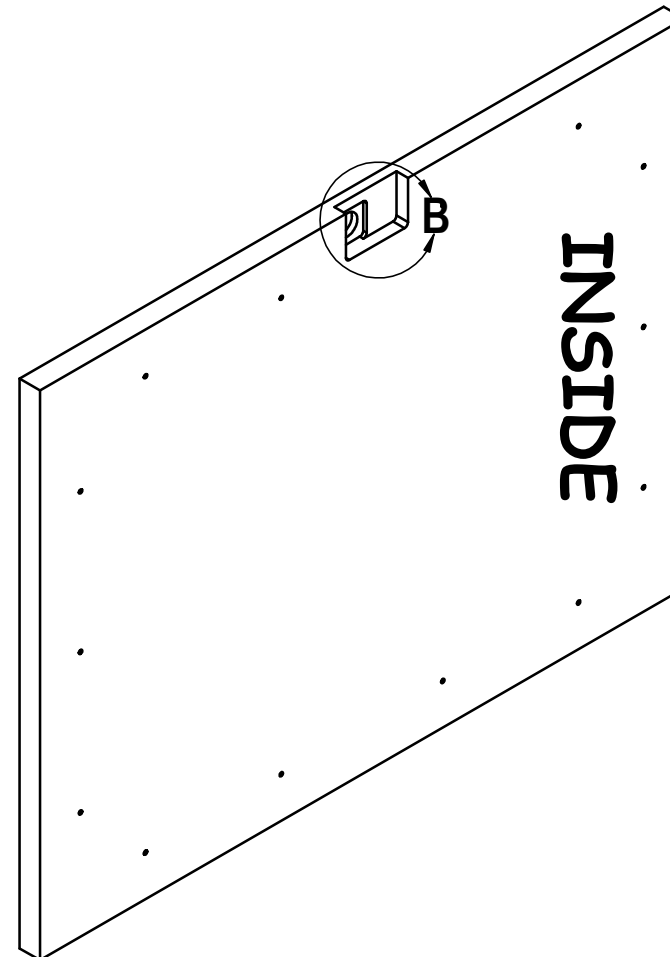
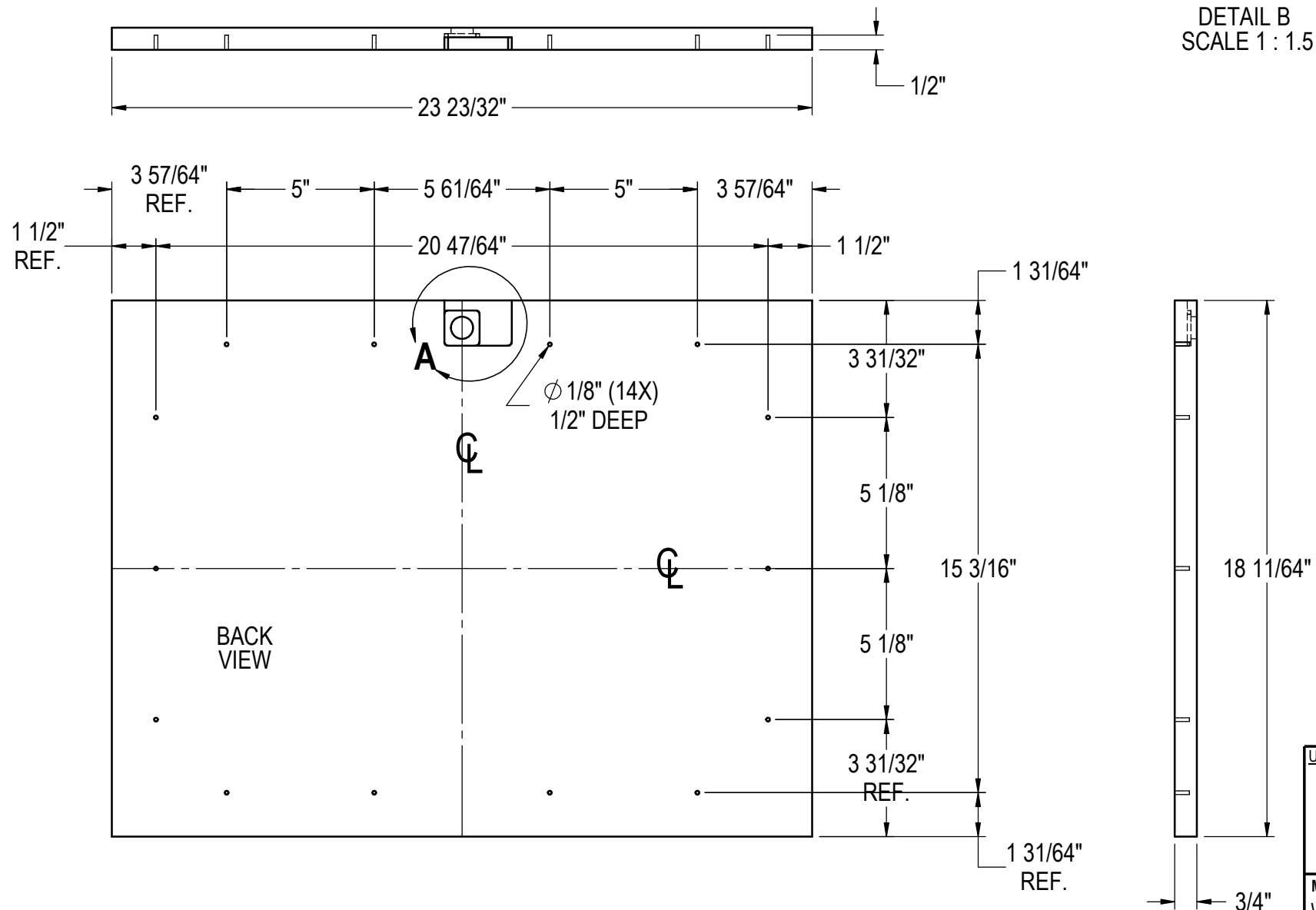
THIS DOCUMENT / PUBLICATION / SOFTWARE / DRAWING CONTAINS PROPRIETARY INFORMATION WHICH IS THE PROPERTY OF THE PERLICK CORPORATION. IT MAY NOT BE REPRODUCED OR TRANSMITTED IN ANY FORM, ELECTRONIC OR MECHANICAL, INCLUDING PHOTOCOPYING, RECORDING, OR USED IN ANY INFORMATION STORAGE, TRANSMISSION, OR RETRIEVAL SYSTEM, WITHOUT WRITTEN PERMISSION FROM THE PERLICK CORPORATION. COPYRIGHT 2001 PERLICK CORPORATION. ALL RIGHTS RESERVED.



DETAIL A  
SCALE 1 : 1.5



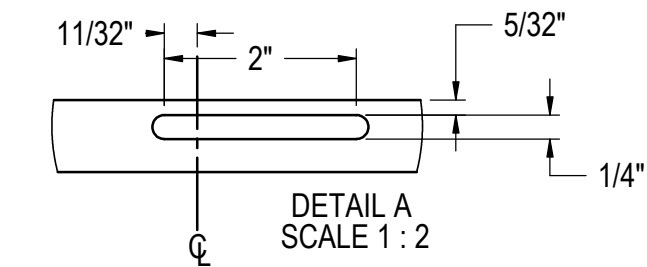
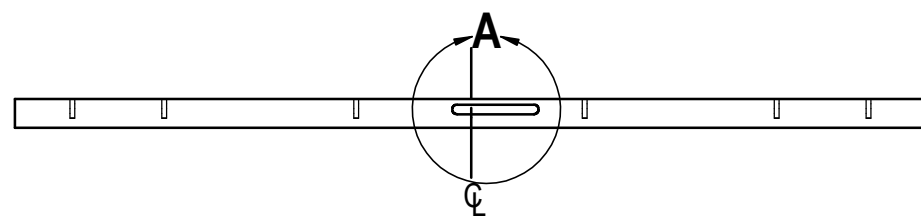
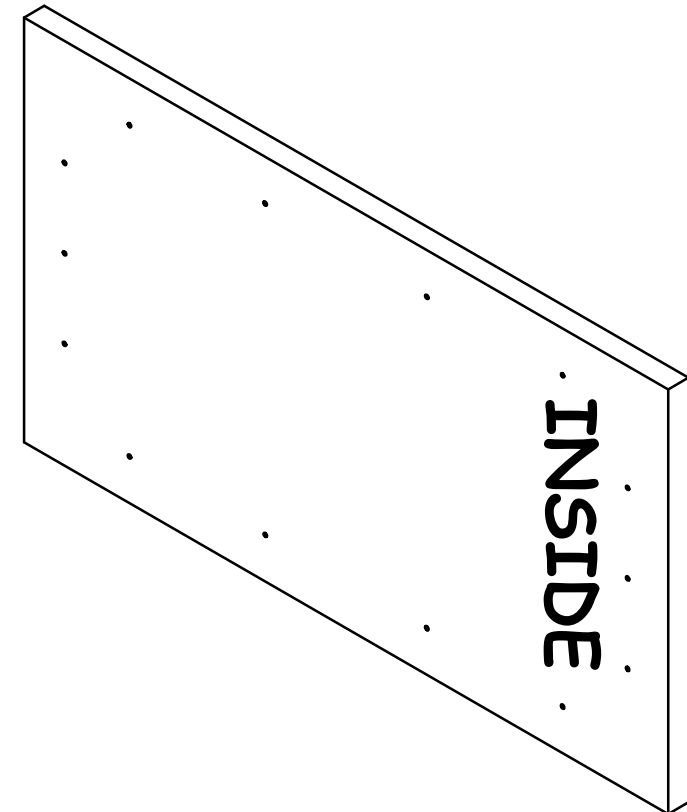
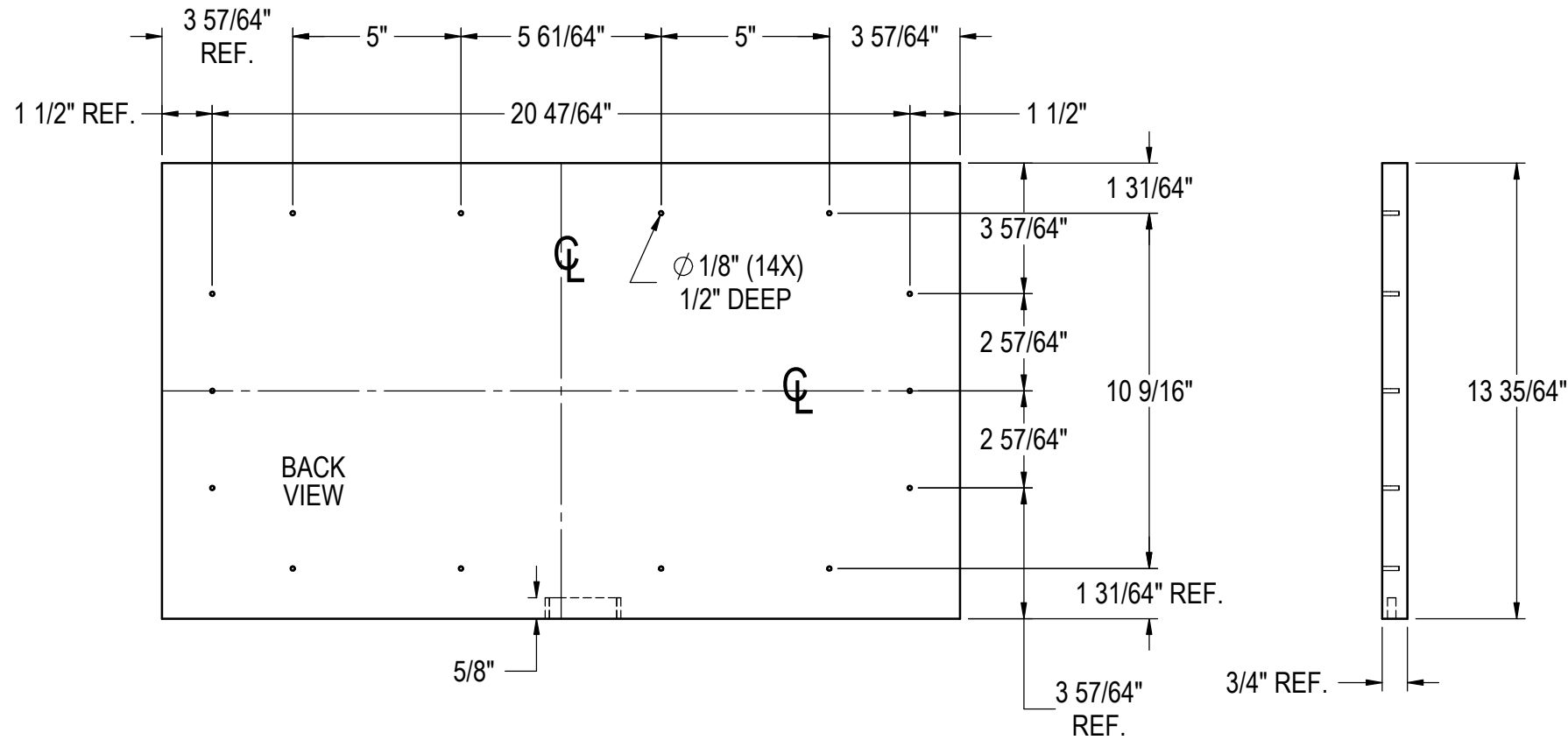
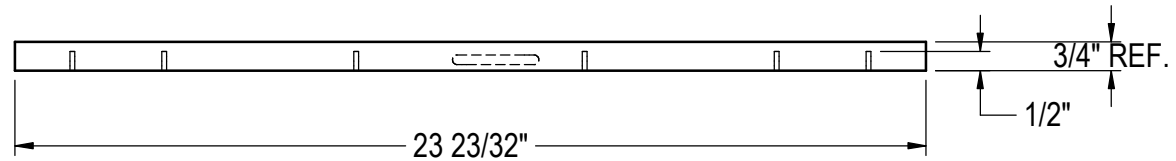
DETAIL B  
SCALE 1 : 1.5



RELEASE FOR PRODUCTION		
A	11/10/2015	JMP
REVISIONS		

UNLESS OTHERWISE SPECIFIED: DIMENSIONS ARE IN INCHES TOLERANCES: .X = ±.05, .XX = ±.01, .XXX = ±.005, ANGULAR: ±.5°, FRACTIONS: ±1/64 BREAK SHARP EDGES - .015 X 45°. RADIUS SHARP FILLETS - .015 TO .031	<b>SIGNATURES</b>	<b>DATE</b>	<b>Perlick Corporation</b> Milwaukee, Wisconsin <b>TITLE:</b> SOLID WOOD OVERLAY, LOWER TALL DRAWER, W/LOCK	
	DESIGNED JMP	11/10/2015		
<b>MATERIAL:</b> WOOD	<b>FINISH:</b>		<b>REFERENCE:</b>	
	QTY.:		<b>PART NO.</b>	<b>DWG NO.</b>
			68134A-10L	<b>68134A</b>
			<b>PURCHASE REC.:</b>	<b>SCALE = 1:5</b>
				<b>SHEET 12 OF 17</b>

**NOTE: VALID FOR ANY ORDERS  
ENTER ON OR AFTER JAN. 1, 2016**



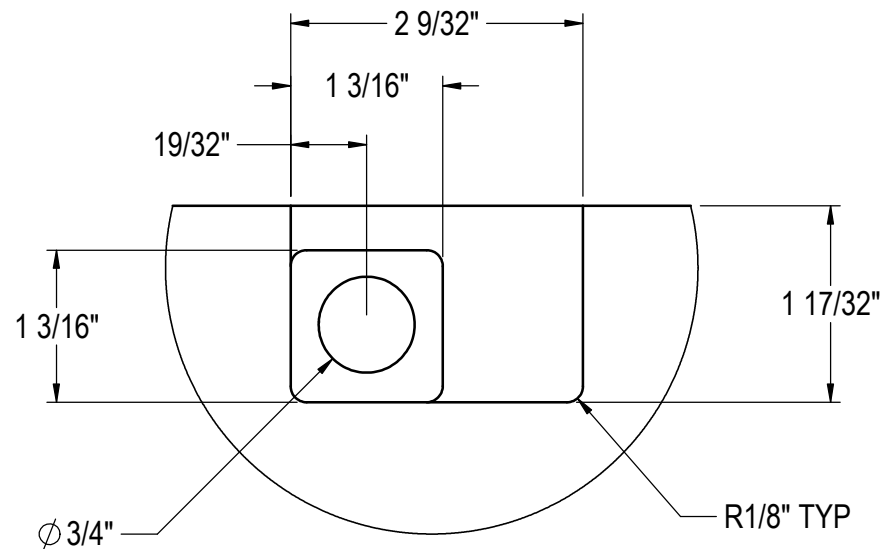
THIS FEATURE ONLY REQUIRED ON UPPER DRAWERS WITH LOCKS.

**NOTE: VALID FOR ANY ORDERS ENTER ON OR AFTER JAN. 1, 2016**

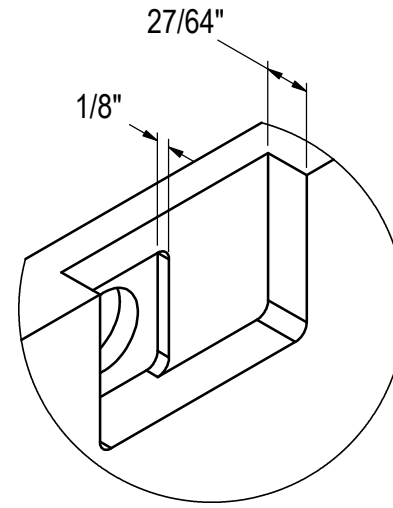
RELEASE FOR PRODUCTION		
A	11/10/2015	JMP
REVISIONS		

MATERIAL: WOOD	SIGNATURES	DATE	<b>Perlick Corporation</b> <b>Milwaukee, Wisconsin</b>	
	DESIGNED JMP	11/10/2015		
QTY.:	DRAWN JMP	11/10/2015	TITLE: SOLID WOOD OVERLAY, UPPER SHORT DRAWER	
	FINISH:	<small>UNLESS OTHERWISE SPECIFIED:  DIMENSIONS ARE IN INCHES  TOLERANCES:  X = ±.05, XX = ±.01, XXX = ±.005,  ANGULAR: ±.5°, FRACTIONS: ±1/64  BREAK SHARP EDGES - .015 X 45°  RADIUS SHARP FILLETS - .015 TO .031  HOLES: &lt;math&gt;\phi .0135&lt;/math&gt; THRU &lt;math&gt;\phi .125&lt;/math&gt;: ±.004  &lt;math&gt;\phi .1260&lt;/math&gt; THRU &lt;math&gt;\phi .250&lt;/math&gt;: ±.005  &lt;math&gt;\phi .2510&lt;/math&gt; THRU &lt;math&gt;\phi .500&lt;/math&gt;: ±.006  &lt;math&gt;\phi .5010&lt;/math&gt; THRU &lt;math&gt;\phi .750&lt;/math&gt;: ±.008  &lt;math&gt;\phi .7510&lt;/math&gt; THRU &lt;math&gt;\phi 1.000&lt;/math&gt;: ±.010  &lt;math&gt;\phi 1.001&lt;/math&gt; &amp; UP: ±.012</small>		
REFERENCE:			PART NO. 68134A-11	DWG NO. 68134A
			PURCHASE REC.:	SCALE = 1:5
			SHEET 13 OF 17	

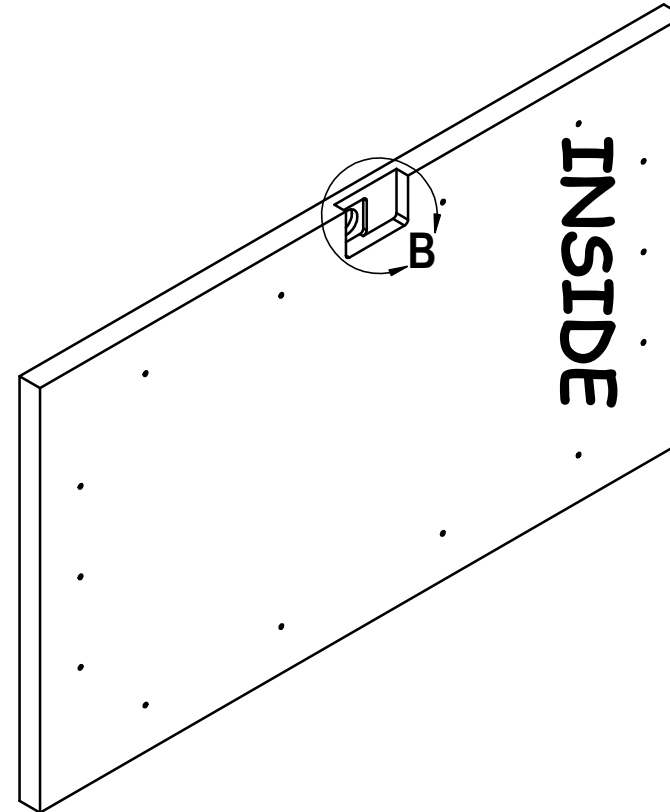
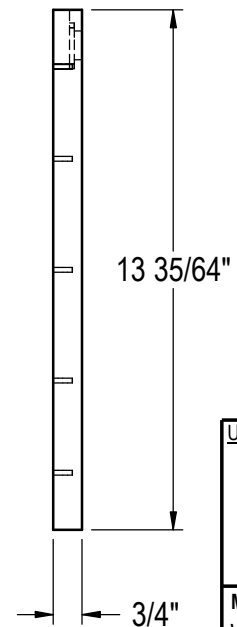
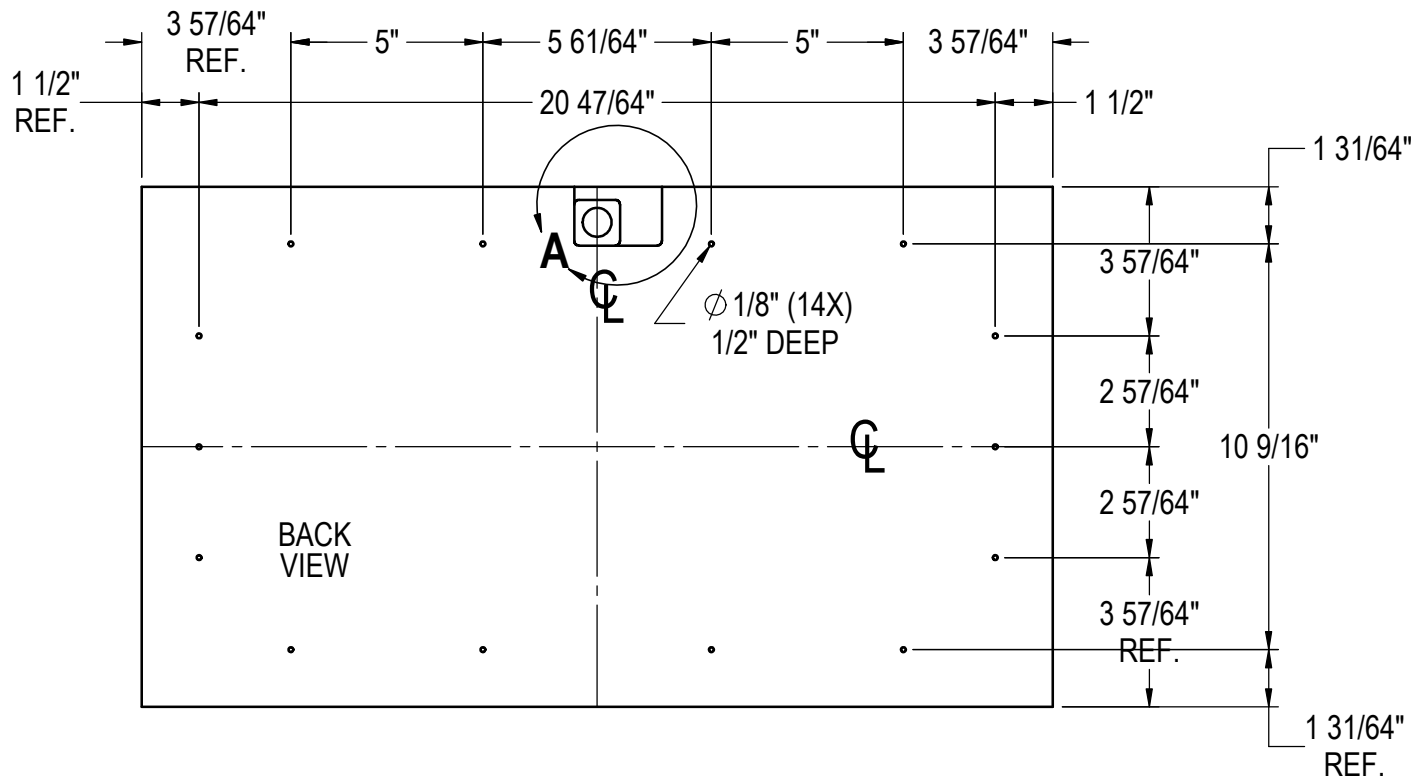
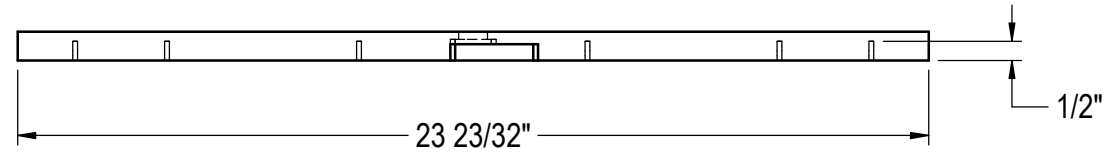
THIS DOCUMENT / PUBLICATION / SOFTWARE / DRAWING CONTAINS PROPRIETARY INFORMATION WHICH IS THE PROPERTY OF THE PERLICK CORPORATION. IT MAY NOT BE REPRODUCED OR TRANSMITTED IN ANY FORM, ELECTRONIC OR MECHANICAL, INCLUDING PHOTOCOPYING, RECORDING, OR USED IN ANY INFORMATION STORAGE, TRANSMISSION, OR RETRIEVAL SYSTEM, WITHOUT WRITTEN PERMISSION FROM THE PERLICK CORPORATION. COPYRIGHT 2001 PERLICK CORPORATION. ALL RIGHTS RESERVED.



DETAIL A  
SCALE 1 : 1.5



DETAIL B  
SCALE 1 : 1.5



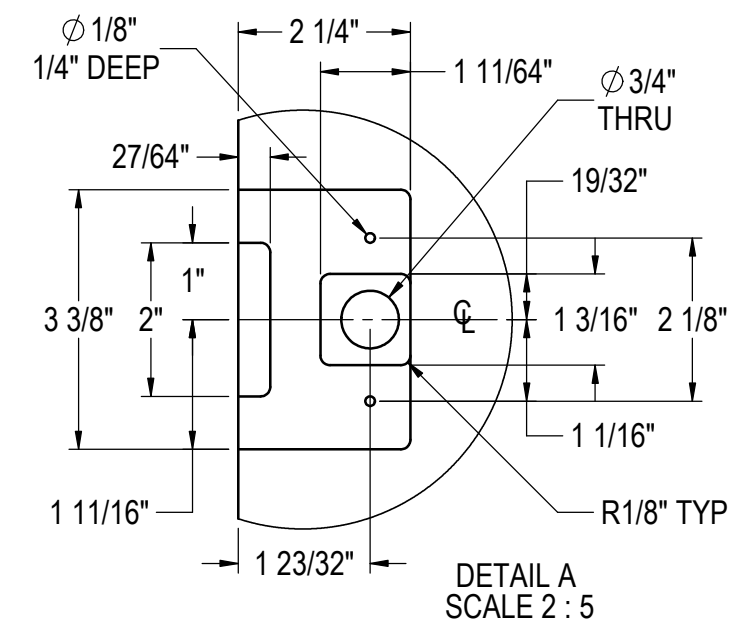
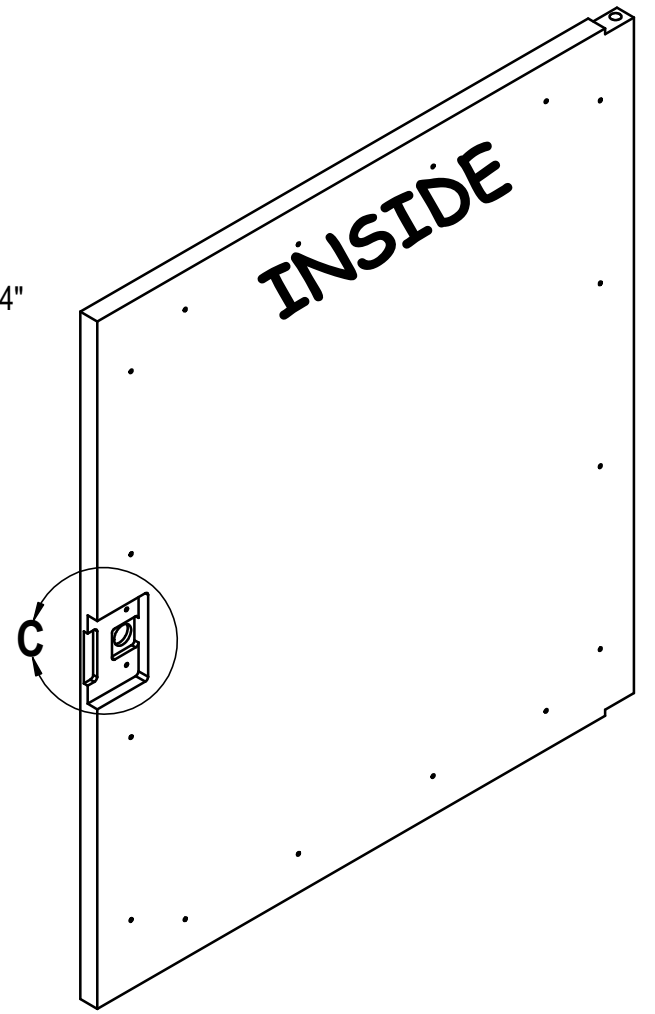
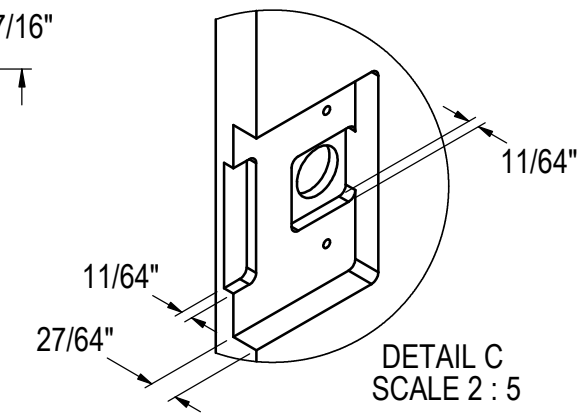
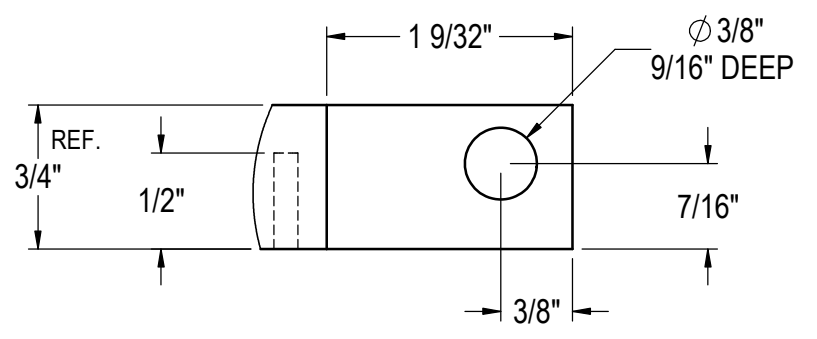
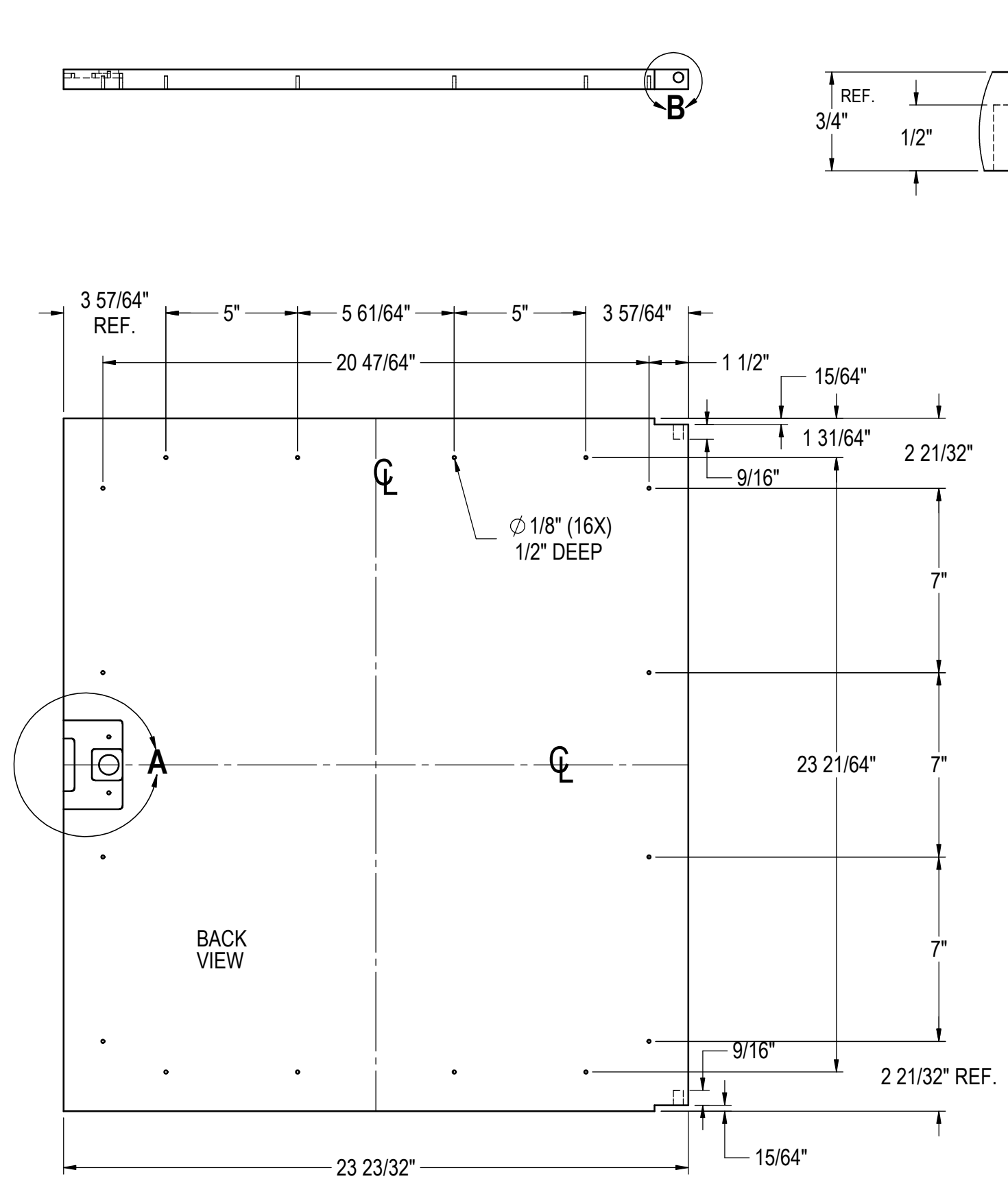
RELEASE FOR PRODUCTION		
A	11/10/2015	JMP
REVISIONS		

<small>UNLESS OTHERWISE SPECIFIED:          DIMENSIONS ARE IN INCHES          TOLERANCES:          .X = ±.05,          .XX = ±.01,          .XXX = ±.005,          ANGULAR: ±.5°, FRACTIONS: ±1/64          BREAK SHARP EDGES - .015 X 45°.          RADIUS SHARP FILLETS - .015 TO .031</small>	<b>SIGNATURES</b>	<b>DATE</b>
	DESIGNED JMP	11/10/2015
	DRAWN JMP	11/10/2015
	CHECKED	11/10/2015
<b>MATERIAL:</b> WOOD	<b>QTY.:</b>	
	<b>FINISH:</b>	

<b>Perlick Corporation</b> Milwaukee, Wisconsin		
<b>TITLE:</b> SOLID WOOD OVERLAY, LOWER SHORT DRAWER W/LOCK		
<b>REFERENCE:</b>	<b>PART NO.</b>	<b>DWG NO.</b>
	68134A-11L	<b>68134A</b>
<b>PURCHASE REC.:</b>	<b>SCALE =</b>	<b>SHEET 14 OF 17</b>
	1:5	

**NOTE: VALID FOR ANY ORDERS  
ENTER ON OR AFTER JAN. 1, 2016**





**NOTE: VALID FOR ANY ORDERS  
ENTER ON OR AFTER JAN. 1, 2016**

RELEASE FOR PRODUCTION		
A	11/10/2015	JMP
REVISIONS		

UNLESS OTHERWISE SPECIFIED: DIMENSIONS ARE IN INCHES TOLERANCES: .X = ±.05 .XX = ±.01 .XXX = ±.005 ANGULAR: ±.5°, FRACTIONS: ±1/64 BREAK SHARP EDGES - .015 X 45° RADIUS SHARP FILLETS - .015 TO .031	<b>SIGNATURES</b>	<b>DATE</b>
	DESIGNED JMP	11/10/2015
	DRAWN JMP	11/10/2015
	CHECKED	11/10/2015

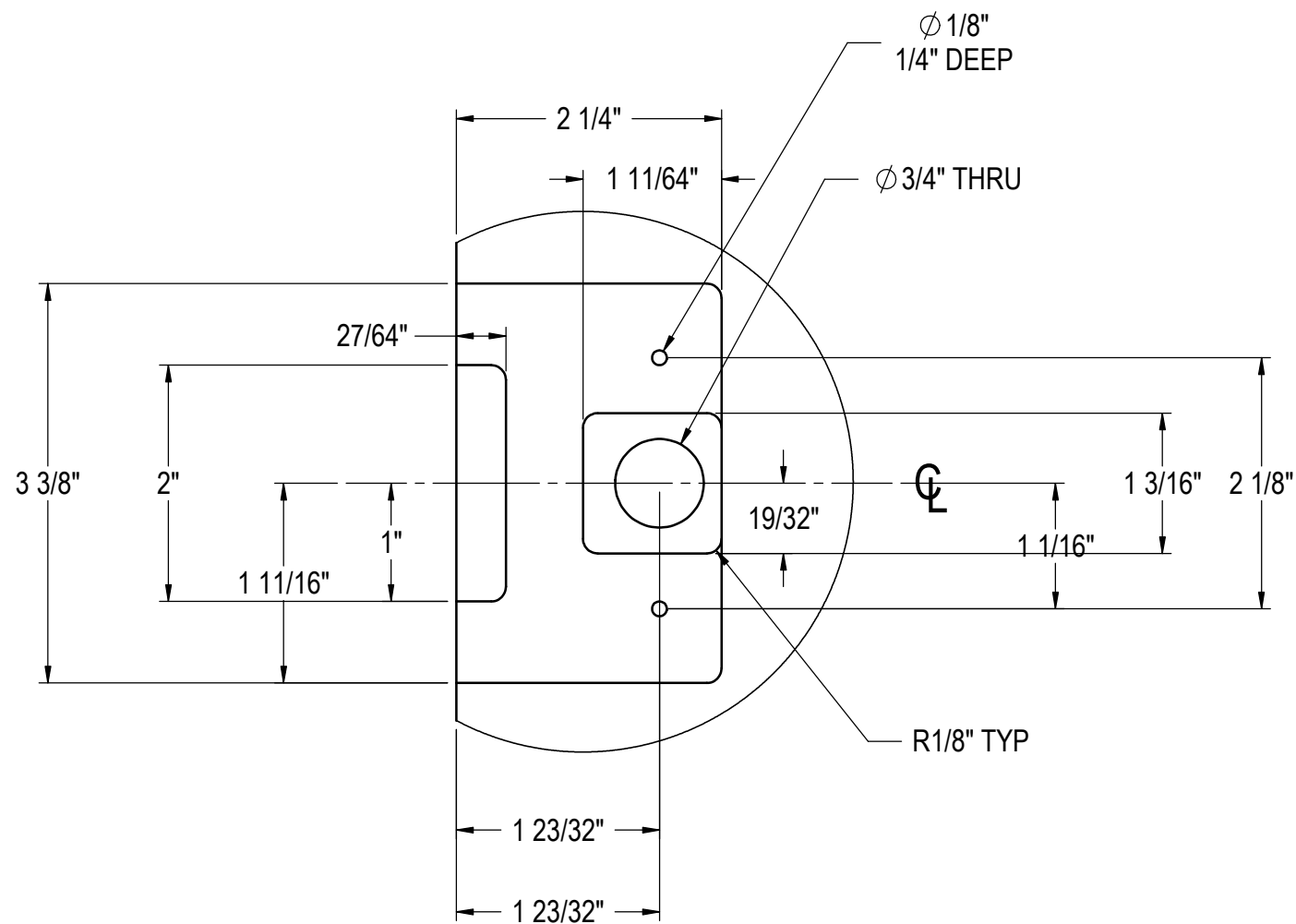
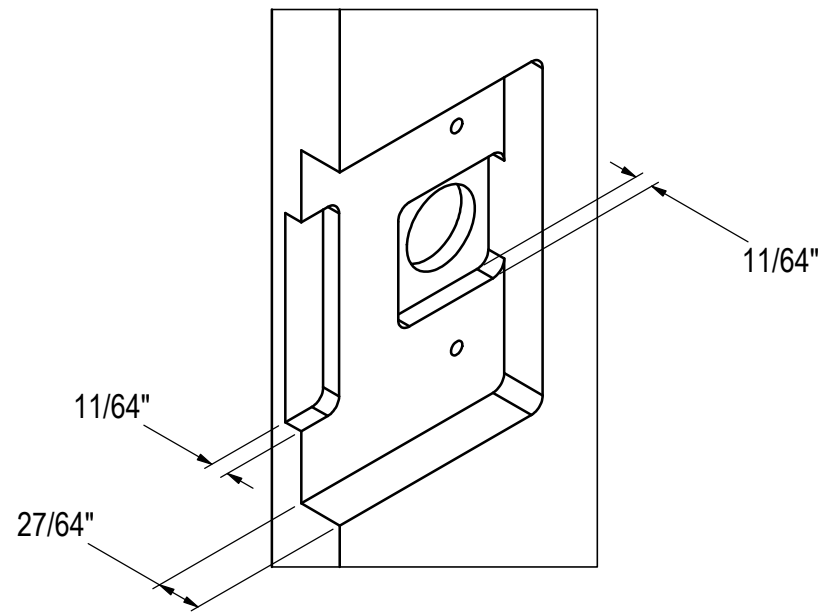
**Perlick Corporation**  
Milwaukee, Wisconsin

**TITLE:**  
SOLID WOOD OVERLAY,  
LOW HEIGHT BACK BAR

<b>MATERIAL:</b> WOOD	<b>QTY.:</b>
<b>FINISH:</b>	

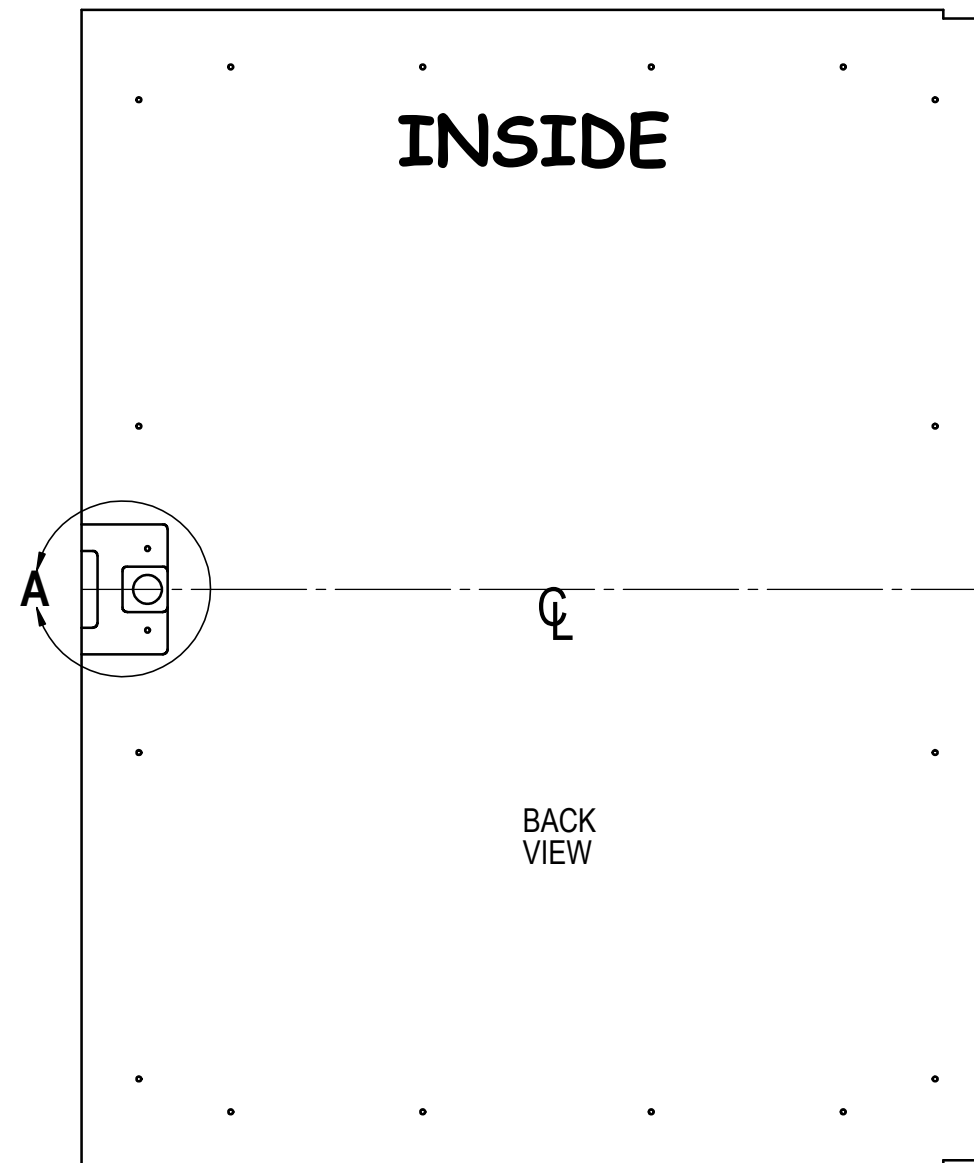
<b>REFERENCE:</b>	<b>DWG NO.</b>
<b>PART NO.</b> 68134A-12	<b>68134A</b>
<b>PURCHASE REC.:</b>	<b>SCALE = 1:5</b>
	<b>SHEET 15 OF 17</b>

THIS DOCUMENT / PUBLICATION / SOFTWARE / DRAWING CONTAINS PROPRIETARY INFORMATION WHICH IS THE PROPERTY OF THE PERLICK CORPORATION. IT MAY NOT BE REPRODUCED OR TRANSMITTED IN ANY FORM, ELECTRONIC OR MECHANICAL, INCLUDING PHOTOCOPYING, RECORDING, OR USED IN ANY INFORMATION STORAGE, TRANSMISSION, OR RETRIEVAL SYSTEM, WITHOUT WRITTEN PERMISSION FROM THE PERLICK CORPORATION. COPYRIGHT 2001 PERLICK CORPORATION. ALL RIGHTS RESERVED.



DETAIL A  
SCALE 1 : 1.5

**NOTE: VALID FOR ANY ORDERS  
ENTER ON OR AFTER JAN. 1, 2016**



BACK  
VIEW

RELEASE FOR PRODUCTION

A	11/10/2015	JMP
---	------------	-----

REVISIONS

UNLESS OTHERWISE SPECIFIED:

DIMENSIONS ARE IN INCHES  
TOLERANCES:  
.X = ±.05,  
.XX = ±.01,  
.XXX = ±.005,  
ANGULAR: ±.5°, FRACTIONS: ±1/64  
BREAK SHARP EDGES - .015 X 45°.  
RADIUS SHARP FILLETS - .015 TO .031

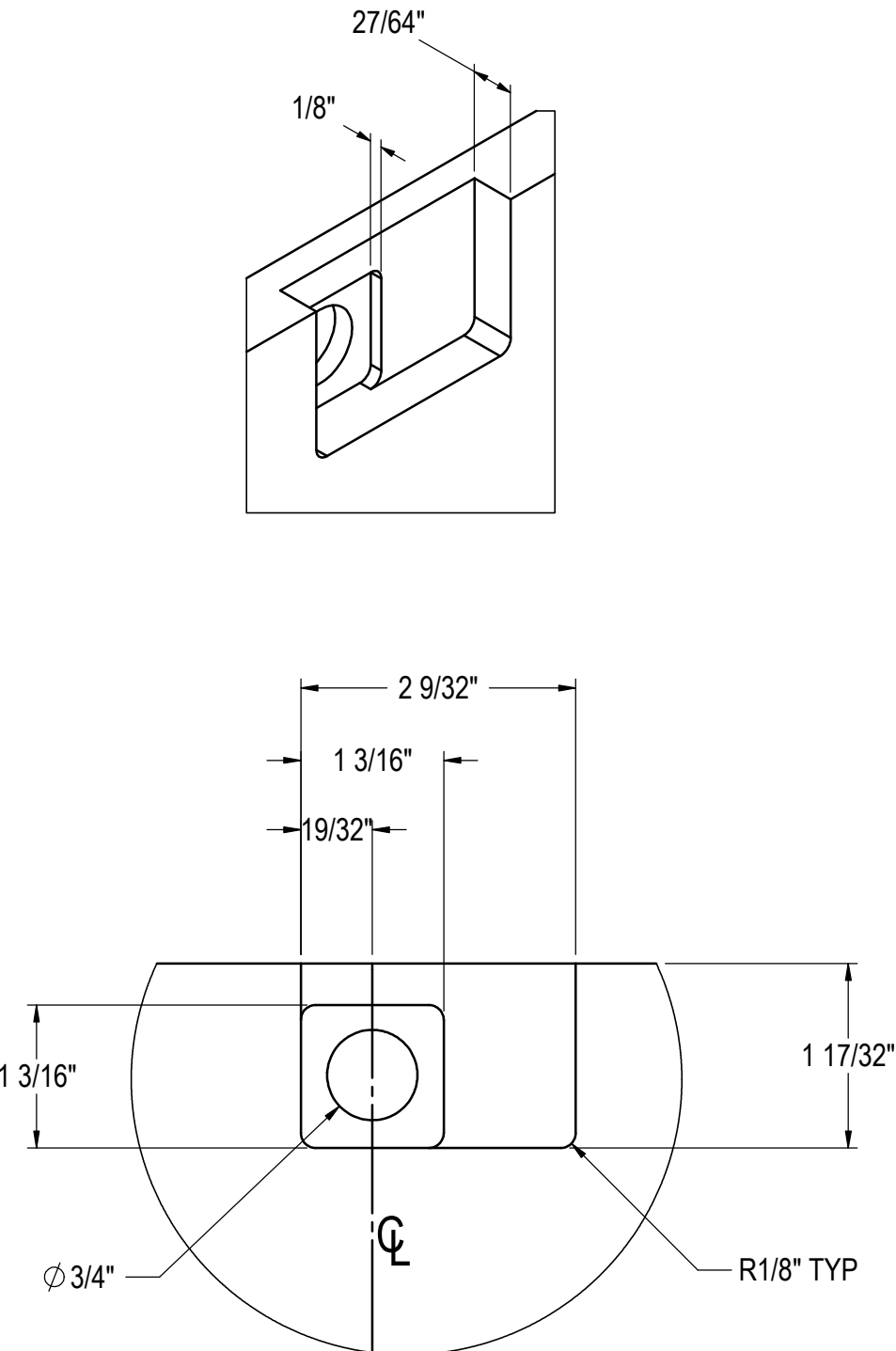
SIGNATURES	DATE
DESIGNED JMP	11/10/2015
DRAWN JMP	11/10/2015
CHECKED	11/10/2015

MATERIAL:  
  
FINISH:

QTY.:  
  
SCALE = 1:5

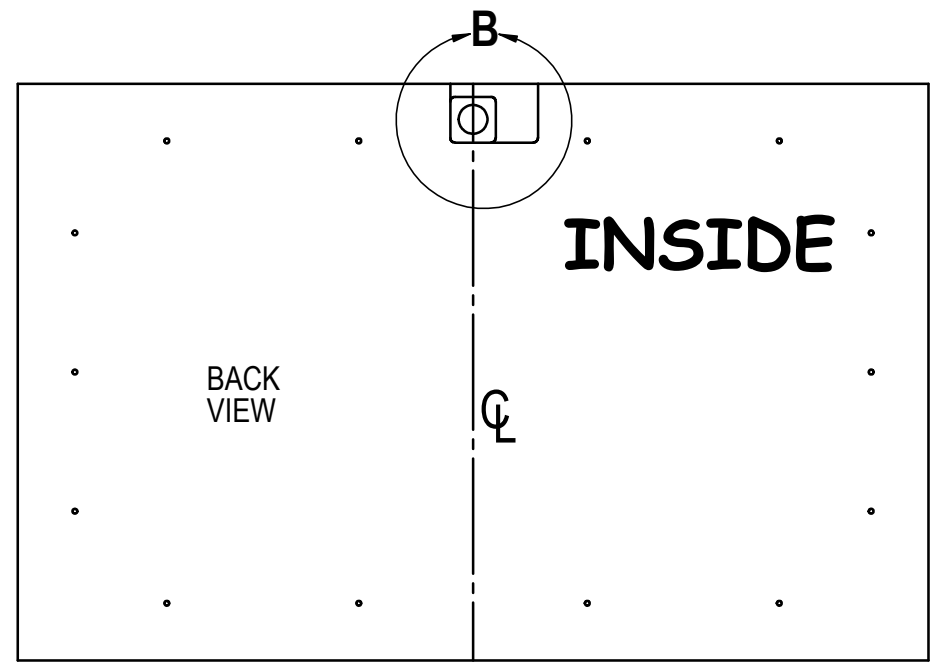
<b>Perlick Corporation</b> Milwaukee, Wisconsin		
TITLE: <b>SOLID WOOD OVERLAY RESIDENTIAL DOORS W/LOCKS</b>		
REFERENCE: PART NO.	DWG NO. <b>68134A</b>	
PURCHASE REC.:	SCALE = 1:5	SHEET 16 OF 17

THIS DOCUMENT / PUBLICATION / SOFTWARE / DRAWING CONTAINS PROPRIETARY INFORMATION WHICH IS THE PROPERTY OF THE PERLICK CORPORATION. IT MAY NOT BE REPRODUCED OR TRANSMITTED IN ANY FORM, ELECTRONIC OR MECHANICAL, INCLUDING PHOTOCOPYING, RECORDING, OR USED IN ANY INFORMATION STORAGE, TRANSMISSION, OR RETRIEVAL SYSTEM, WITHOUT WRITTEN PERMISSION FROM THE PERLICK CORPORATION. COPYRIGHT 2001 PERLICK CORPORATION. ALL RIGHTS RESERVED.



DETAIL B  
SCALE 1 : 1.5

**NOTE: VALID FOR ANY ORDERS  
ENTER ON OR AFTER JAN. 1, 2016**



RELEASE FOR PRODUCTION		
A	11/10/2015	JMP
REVISIONS		

<small>UNLESS OTHERWISE SPECIFIED: DIMENSIONS ARE IN INCHES TOLERANCES: .X = ±.05, .XX = ±.01, .XXX = ±.005, ANGULAR: ±.5°, FRACTIONS: ±1/64 BREAK SHARP EDGES - .015 X 45°. RADIUS SHARP FILLETS - .015 TO .031</small>	<b>SIGNATURES</b>	<b>DATE</b>	<b>Perlick Corporation</b> <b>Milwaukee, Wisconsin</b> <b>TITLE:</b> <b>SOLID WOOD OVERLAY</b> <b>RESIDENTIAL LOWER DRAWERS W/LOCKS</b>		
	DESIGNED	JMP			11/10/2015
	DRAWN	JMP			11/10/2015
	CHECKED		11/10/2015	<b>REFERENCE:</b> PART NO. _____ DWG NO. <b>68134A</b> PURCHASE REC.: _____ SCALE = 1:5 SHEET 17 OF 17	
<b>MATERIAL:</b>	<b>QTY.:</b>				
	<b>FINISH:</b>				
<small>THIS DOCUMENT / PUBLICATION / SOFTWARE / DRAWING CONTAINS PROPRIETARY INFORMATION WHICH IS THE PROPERTY OF THE PERLICK CORPORATION. IT MAY NOT BE REPRODUCED OR TRANSMITTED IN ANY FORM, ELECTRONIC OR MECHANICAL, INCLUDING PHOTOCOPYING, RECORDING, OR USED IN ANY INFORMATION STORAGE, TRANSMISSION, OR RETRIEVAL SYSTEM, WITHOUT WRITTEN PERMISSION FROM THE PERLICK CORPORATION. COPYRIGHT 2001 PERLICK CORPORATION. ALL RIGHTS RESERVED.</small>					