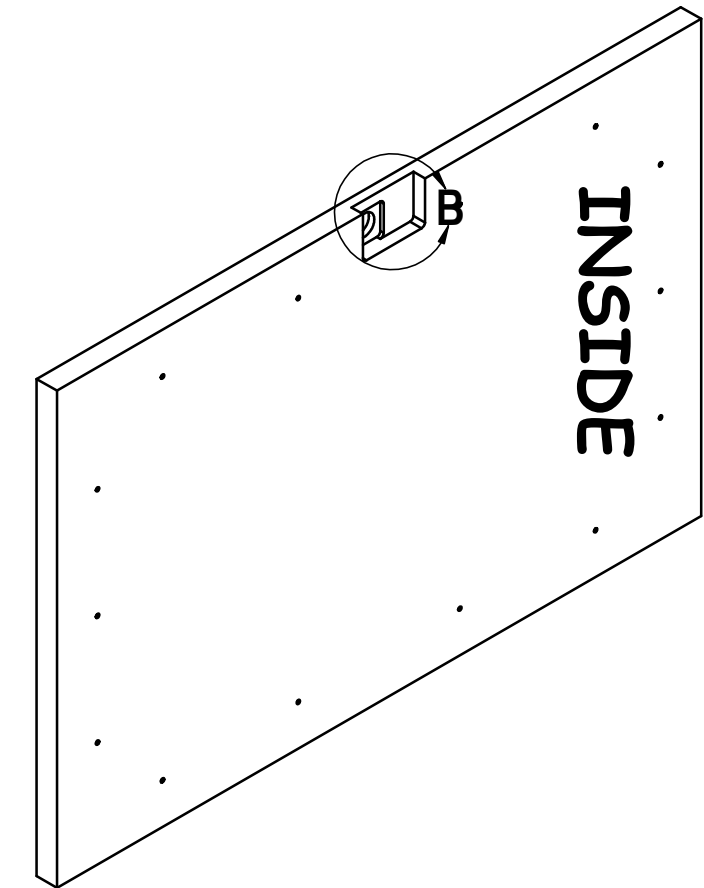
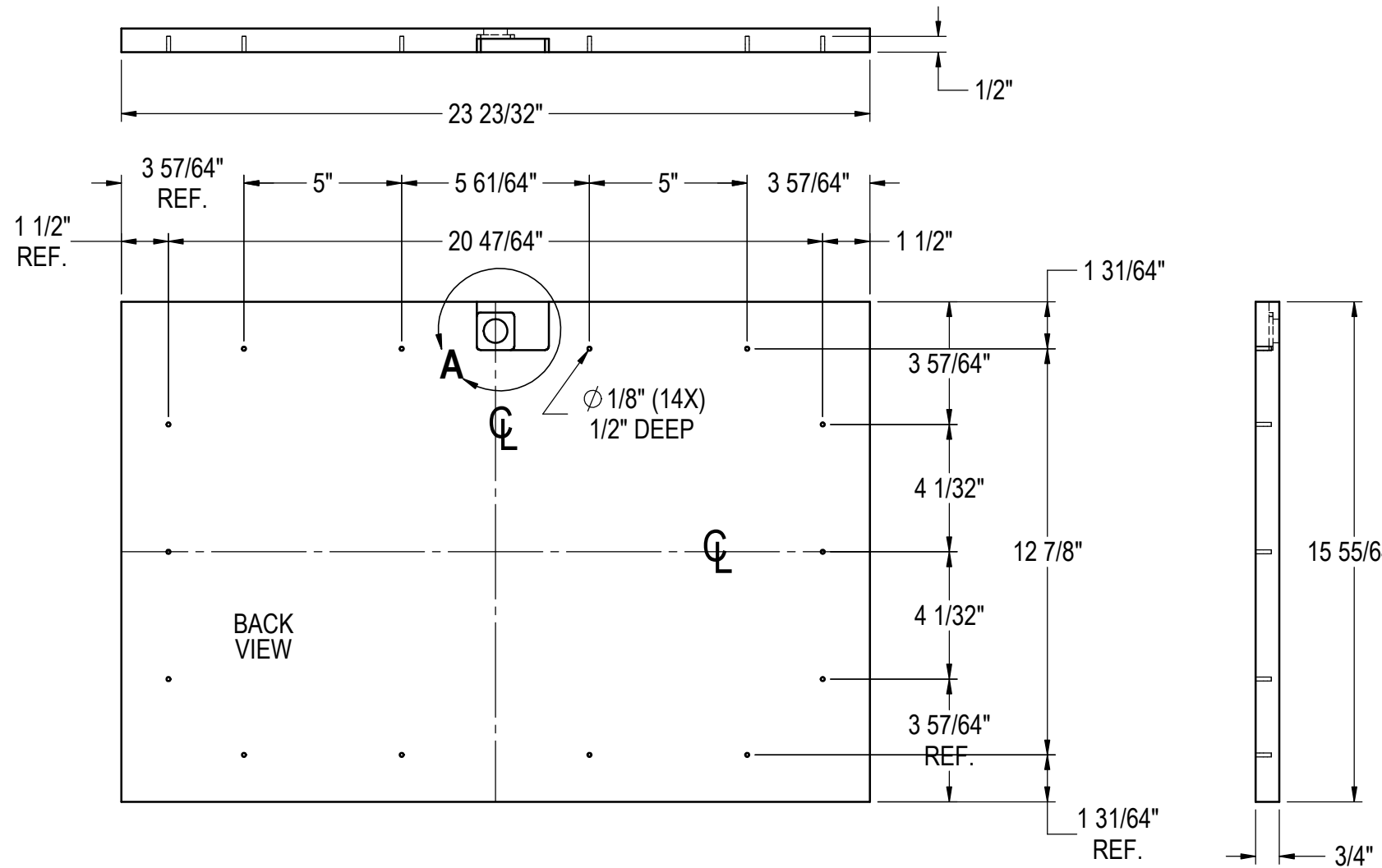
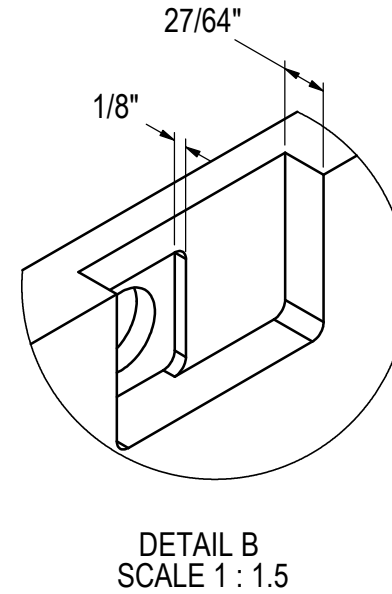
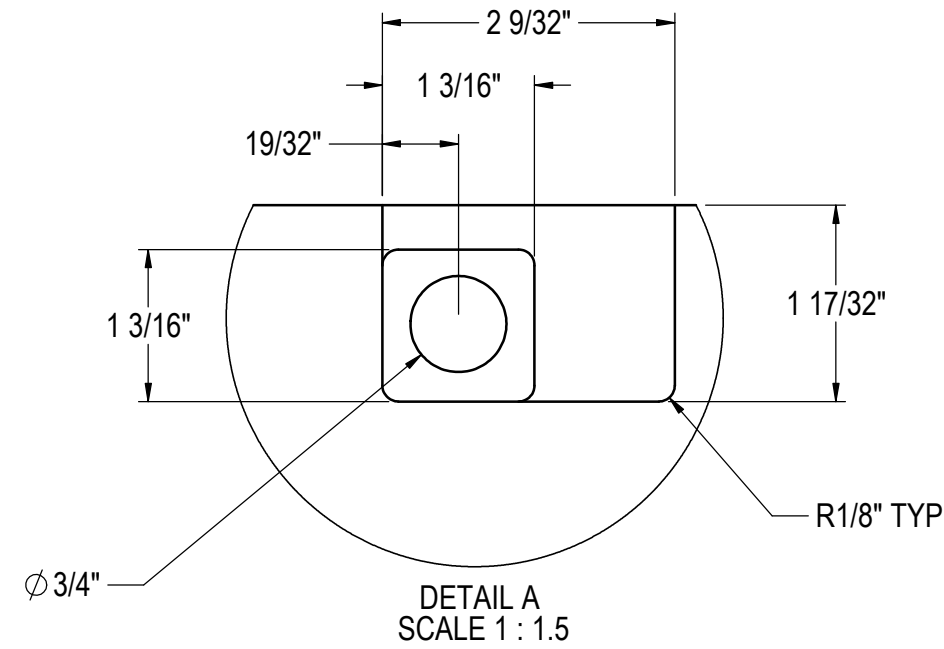


**NOTE: VALID FOR ANY ORDERS  
ENTER ON OR AFTER JAN. 1, 2016**

RELEASE FOR PRODUCTION		
A	11/10/2015	JMP
REVISIONS		

MATERIAL: WOOD	SIGNATURES	DATE	<b>Perlick Corporation</b> Milwaukee, Wisconsin	
	DESIGNED JMP	11/10/2015		
QTY.:	DRAWN JMP	11/10/2015	TITLE: SOLID WOOD OVERLAY STD. DRAWERS, BACK BAR	
	FINISH:	UNLESS OTHERWISE SPECIFIED: DIMENSIONS ARE IN INCHES TOLERANCES: .X = ±.05, .XX = ±.01, .XXX = ±.005, ANGULAR: ±.5°, FRACTIONS: ±1/64 BREAK SHARP EDGES - .015 X 45° RADIUS SHARP FILLETS - .015 TO .031 HOLES: Ø.0135 THRU Ø.125: ±.004 Ø.126 THRU Ø.250: ±.005 Ø.251 THRU Ø.500: ±.006 Ø.501 THRU Ø.750: ±.008 Ø.751 THRU Ø.1.000: ±.010 Ø.1.001 & UP: ±.012		
REFERENCE:			PART NO. 68134A-9	DWG NO. 68134A
			PURCHASE REC.:	SCALE = 1:5
			SHEET 9 OF 16	

THIS DOCUMENT / PUBLICATION / SOFTWARE / DRAWING CONTAINS PROPRIETARY INFORMATION WHICH IS THE PROPERTY OF THE PERLICK CORPORATION. IT MAY NOT BE REPRODUCED OR TRANSMITTED IN ANY FORM, ELECTRONIC OR MECHANICAL, INCLUDING PHOTOCOPYING, RECORDING, OR USED IN ANY INFORMATION STORAGE, TRANSMISSION, OR RETRIEVAL SYSTEM, WITHOUT WRITTEN PERMISSION FROM THE PERLICK CORPORATION. COPYRIGHT 2001 PERLICK CORPORATION. ALL RIGHTS RESERVED.



**NOTE: VALID FOR ANY ORDERS  
ENTER ON OR AFTER JAN. 1, 2016**

UNLESS OTHERWISE SPECIFIED:		SIGNATURES	DATE
DIMENSIONS ARE IN INCHES		DESIGNED	JMP 11/10/2015
TOLERANCES:		DRAWN	JMP 11/10/2015
.X = ±.05		CHECKED	11/10/2015
.XX = ±.01			
.XXX = ±.005			
ANGULAR: ±5°, FRACTIONS: ±1/64			
BREAK SHARP EDGES - .015 X 45°			
RADIUS SHARP FILLETS - .015 TO .031			
MATERIAL:	WOOD	QTY.:	
		FINISH:	

Perlick Corporation Milwaukee, Wisconsin		
TITLE: <b>SOLID WOOD OVERLAY STD. DRAWERS W/LOCK, BACK BAR</b>		
REFERENCE:	PART NO.	DWG NO.
	68134A-9L	<b>68134A</b>
PURCHASE REC.:	SCALE =	SHEET 10 OF 16
	1:5	

RELEASE FOR PRODUCTION		
A	11/10/2015	JMP
REVISIONS		