

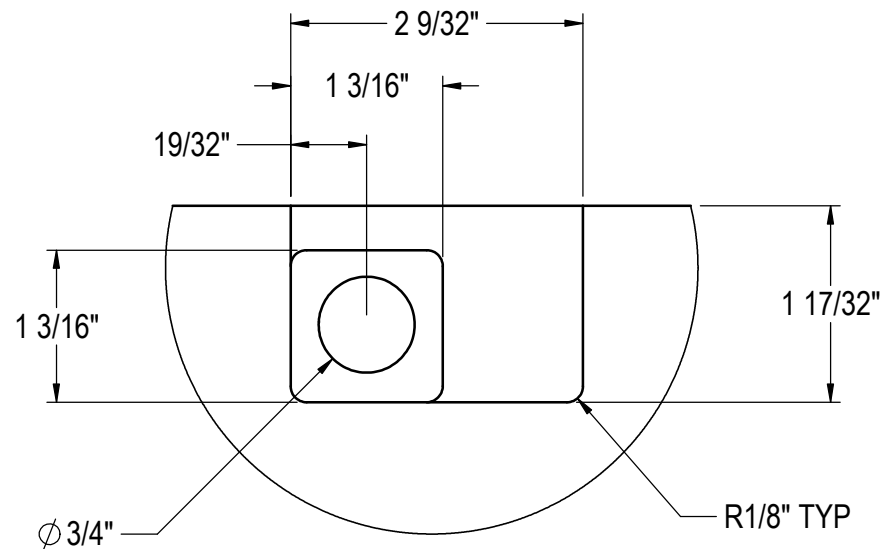
THIS FEATURE ONLY REQUIRED ON UPPER DRAWERS WITH LOCKS.

NOTE: VALID FOR ANY ORDERS ENTER ON OR AFTER JAN. 1, 2016

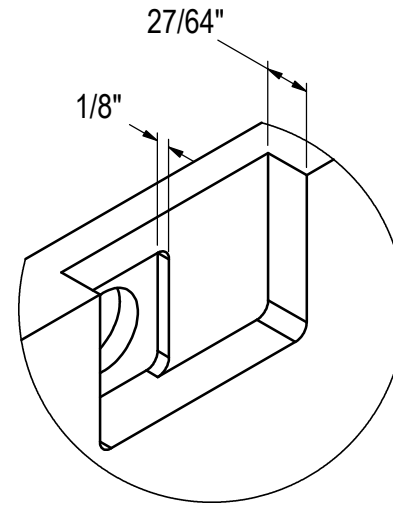
RELEASE FOR PRODUCTION		
A	11/10/2015	JMP
REVISIONS		

MATERIAL: WOOD	SIGNATURES	DATE	Perlick Corporation Milwaukee, Wisconsin
	DESIGNED JMP	11/10/2015	
QTY.:	DRAWN JMP	11/10/2015	TITLE: SOLID WOOD OVERLAY, UPPER SHORT DRAWER
	FINISH:	<small>UNLESS OTHERWISE SPECIFIED: DIMENSIONS ARE IN INCHES TOLERANCES: X = ±.05, XX = ±.01, XXX = ±.005, ANGULAR: ±.5°, FRACTIONS: ±1/64 BREAK SHARP EDGES - .015 X 45° RADIUS SHARP FILLETS - .015 TO .031 HOLES: Φ.0135 THRU Φ.125: ±.004 Φ.1260 THRU Φ.250: ±.005 Φ.2510 THRU Φ.500: ±.006 Φ.5010 THRU Φ.750: ±.008 Φ.7510 THRU Φ.1000: ±.010 Φ.1001 & UP: ±.012</small>	
REFERENCE:			PART NO. 68134A-11
PURCHASE REC.:			DWG NO. 68134A
SCALE = 1:5			SHEET 13 OF 16

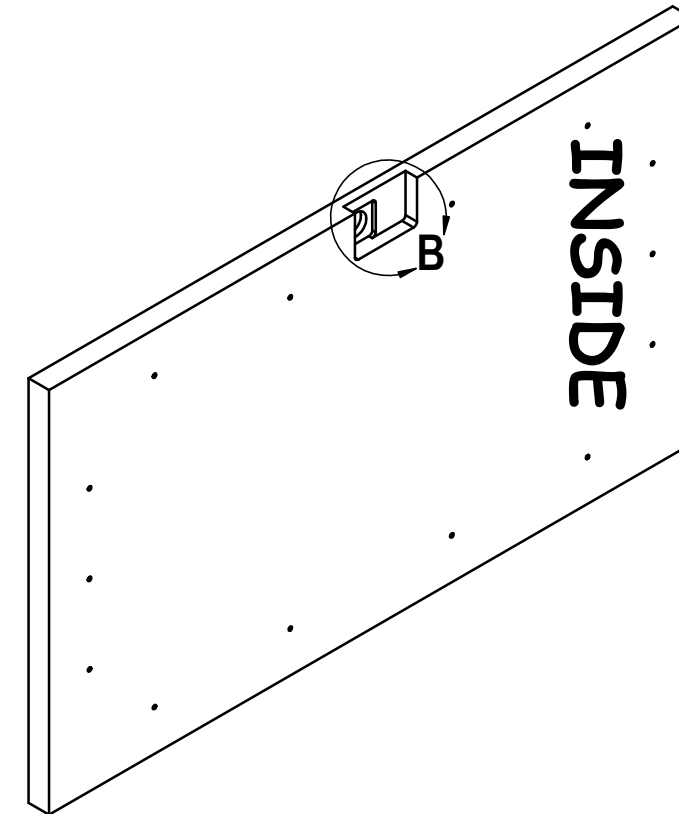
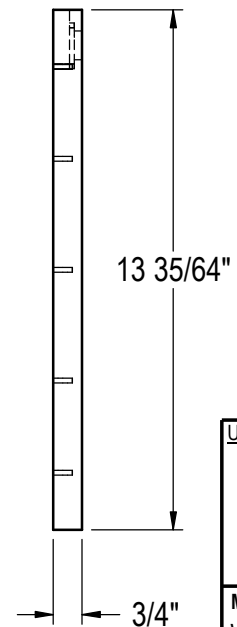
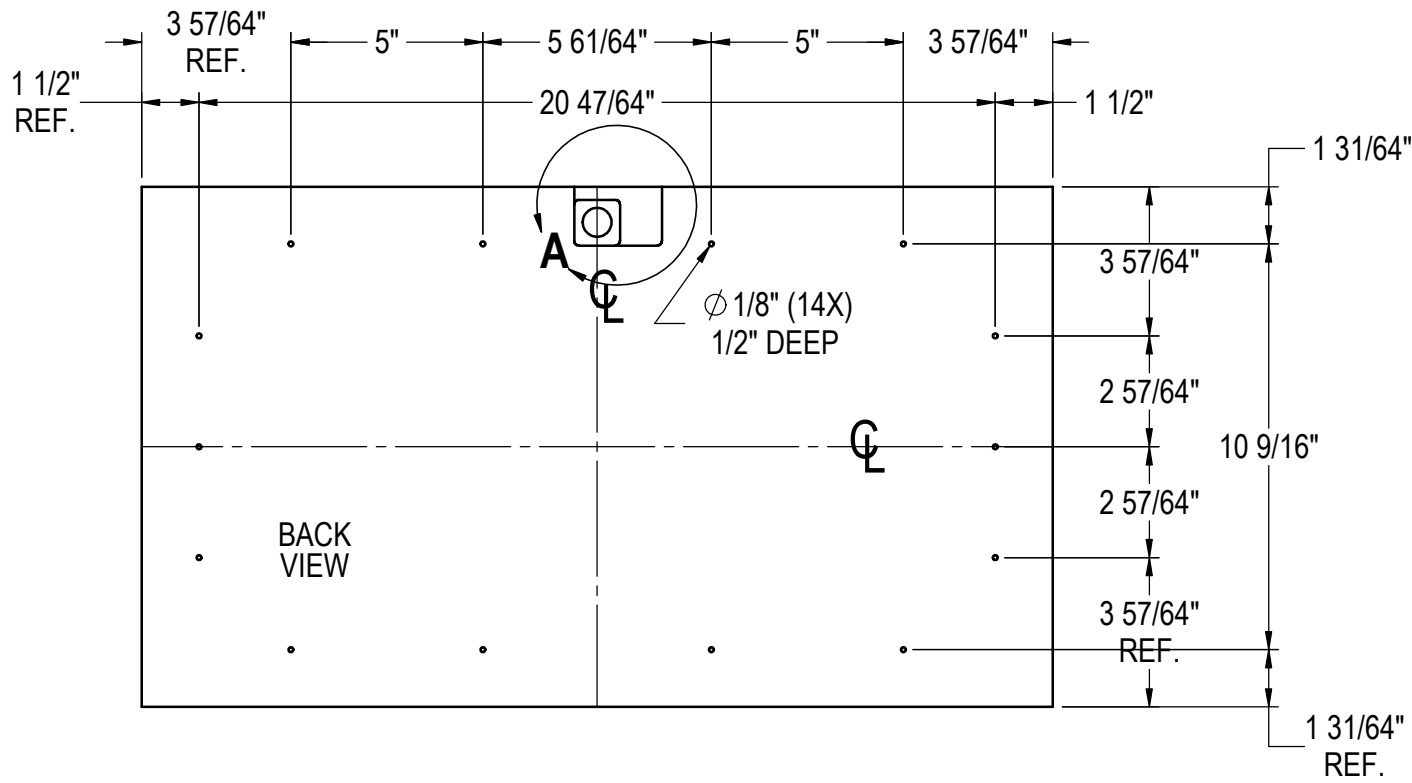
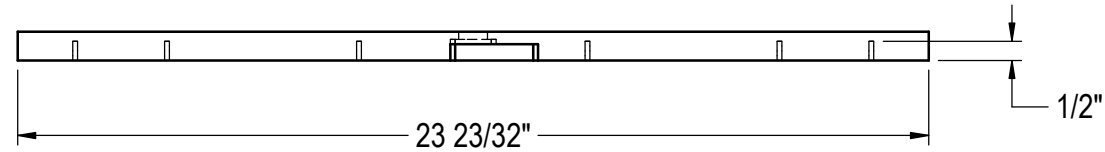
THIS DOCUMENT / PUBLICATION / SOFTWARE / DRAWING CONTAINS PROPRIETARY INFORMATION WHICH IS THE PROPERTY OF THE PERLICK CORPORATION. IT MAY NOT BE REPRODUCED OR TRANSMITTED IN ANY FORM, ELECTRONIC OR MECHANICAL, INCLUDING PHOTOCOPYING, RECORDING, OR USED IN ANY INFORMATION STORAGE, TRANSMISSION, OR RETRIEVAL SYSTEM, WITHOUT WRITTEN PERMISSION FROM THE PERLICK CORPORATION. COPYRIGHT 2001 PERLICK CORPORATION. ALL RIGHTS RESERVED.



DETAIL A
SCALE 1 : 1.5



DETAIL B
SCALE 1 : 1.5



RELEASE FOR PRODUCTION		
A	11/10/2015	JMP
REVISIONS		

UNLESS OTHERWISE SPECIFIED: DIMENSIONS ARE IN INCHES TOLERANCES: .X = ±.05, .XX = ±.01, .XXX = ±.005, ANGULAR: ±.5°, FRACTIONS: ±1/64 BREAK SHARP EDGES - .015 X 45°. RADIUS SHARP FILLETS - .015 TO .031	SIGNATURES	DATE
	DESIGNED JMP	11/10/2015
	DRAWN JMP	11/10/2015
	CHECKED	11/10/2015

Perlick Corporation Milwaukee, Wisconsin	
TITLE: SOLID WOOD OVERLAY, LOWER SHORT DRAWER W/LOCK	
REFERENCE: PART NO. 68134A-11L	DWG NO. 68134A
PURCHASE REC.:	SCALE = 1:5 SHEET 14 OF 16

MATERIAL: WOOD	QTY.:
	FINISH:

**NOTE: VALID FOR ANY ORDERS
ENTER ON OR AFTER JAN. 1, 2016**

THIS DOCUMENT / PUBLICATION / SOFTWARE / DRAWING CONTAINS PROPRIETARY INFORMATION WHICH IS THE PROPERTY OF THE PERLICK CORPORATION. IT MAY NOT BE REPRODUCED OR TRANSMITTED IN ANY FORM, ELECTRONIC OR MECHANICAL, INCLUDING PHOTOCOPYING, RECORDING, OR USED IN ANY INFORMATION STORAGE, TRANSMISSION, OR RETRIEVAL SYSTEM, WITHOUT WRITTEN PERMISSION FROM THE PERLICK CORPORATION. COPYRIGHT 2001 PERLICK CORPORATION. ALL RIGHTS RESERVED.