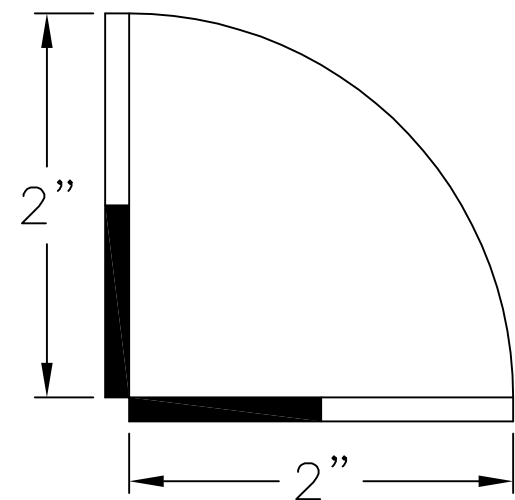


MOUNTING TEMPLATE FOR
 PANTHER DISPENSING HEAD
 4 FAUCET (4043-4B)
 WITH C18640A DRAINER



ATTENTION INSTALLERS
 VERIFY SCALE OF PRINT
 BY CHECKING THESE
 DIMENSIONS PRIOR TO
 INSTALLATION OF BEER HEAD
 (EACH SIDE SHOULD MEASURE
 EXACTLY 2.00 INCHES)

