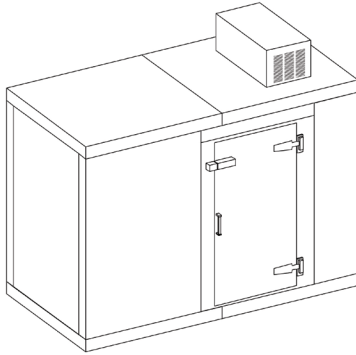


Perlick® UTILITY COOLERS



JOB	
AREA	
ITEM NO.	
MODEL NO.	

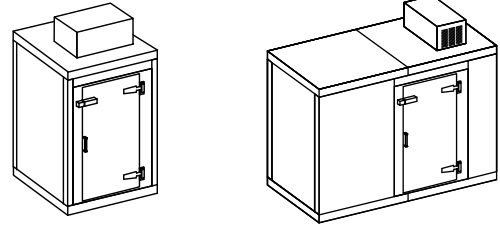
MODELS
US4KP
US10KP

Features

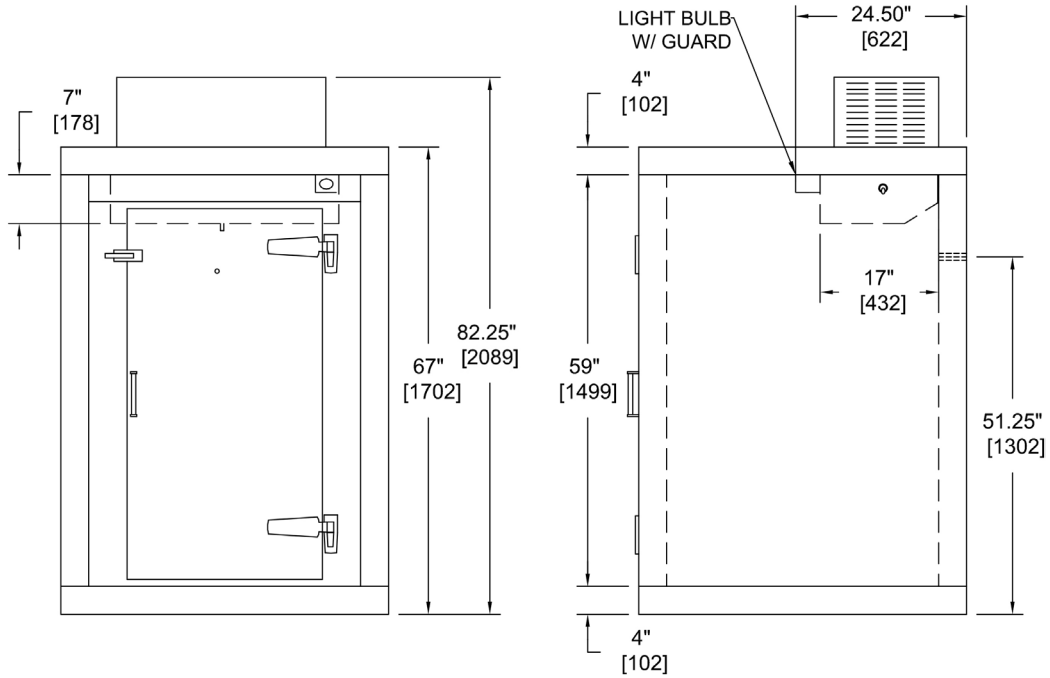
- Four keg and ten keg capacities; self-contained refrigeration.
- Compact size requires minimum space.
- Designed especially for draft beer keg storage.
- Efficient “cam-lock” construction for easy installation.
- Stucco-pattern galvanized steel exterior; galvanized G90 steel interior floor.
- Light “on” indicator in door.
- Flush-mounted, self-closing door with cam-lift hinges.

Model Nos.		US4KP	US10KP
Cabinet Dimensions	Length - Inches (mm)	47" (1194)	93" (2362)
	Depth - Inches (mm)	47" (1194)	47" (1194)
	Height - Inches (mm)	82-1/4" (2090)	82-1/4" (2090)
Keg Capacity		4	10
Condenser Unit H.P.		1/3	1/2
Refrigeration Capacity @ 20°F Evaporating and 90°F Ambient		3160 BTU/HR	4360 BTU/HR
Refrigerant Charge (oz)		16.0	14.0
Full Load Amps		8.3	11.3
Max. Fuse		15	15
Ship WT Lbs. (kg)		750 (341)	1100 (500)
Exterior	Floor: Stucco galvanized steel. Roof, Walls & Door: Stucco galvanized steel painted grey.		
Interior	Floor: Galvanized G90 steel with plywood reinforcement. Roof, Walls & Door: Painted Model: Stucco pattern galvanized steel.		
Electrical	115 Volt, 60 Hz, 1 Phase AC. Junction box provided.		
Plumbing	Evaporator condensate drains through access hole in wall. 20" x 1/2" I.D. drain line provided		
Refrigeration	404a refrigerant.		
Insulation	4" UL Class 1 urethane foam. Flame Spread Rating: 25 or less. Smoke Develop Rating: 450 or less.		
Doors	Flush-mounted with cam-lift chrome hinges, automatic door closer, magnetic gasket, chrome pull handle. Door size: 30" wide x 55" high. Right-handed hinge standard.		
Features	Light “on” indicator in door. Light switch and fixture installed on evaporator. Thermometer furnished loose.		
Optional Accessories	• Floor Rack • Keg Shelf		

Perlick® UTILITY COOLERS



US4KP



US10KP

