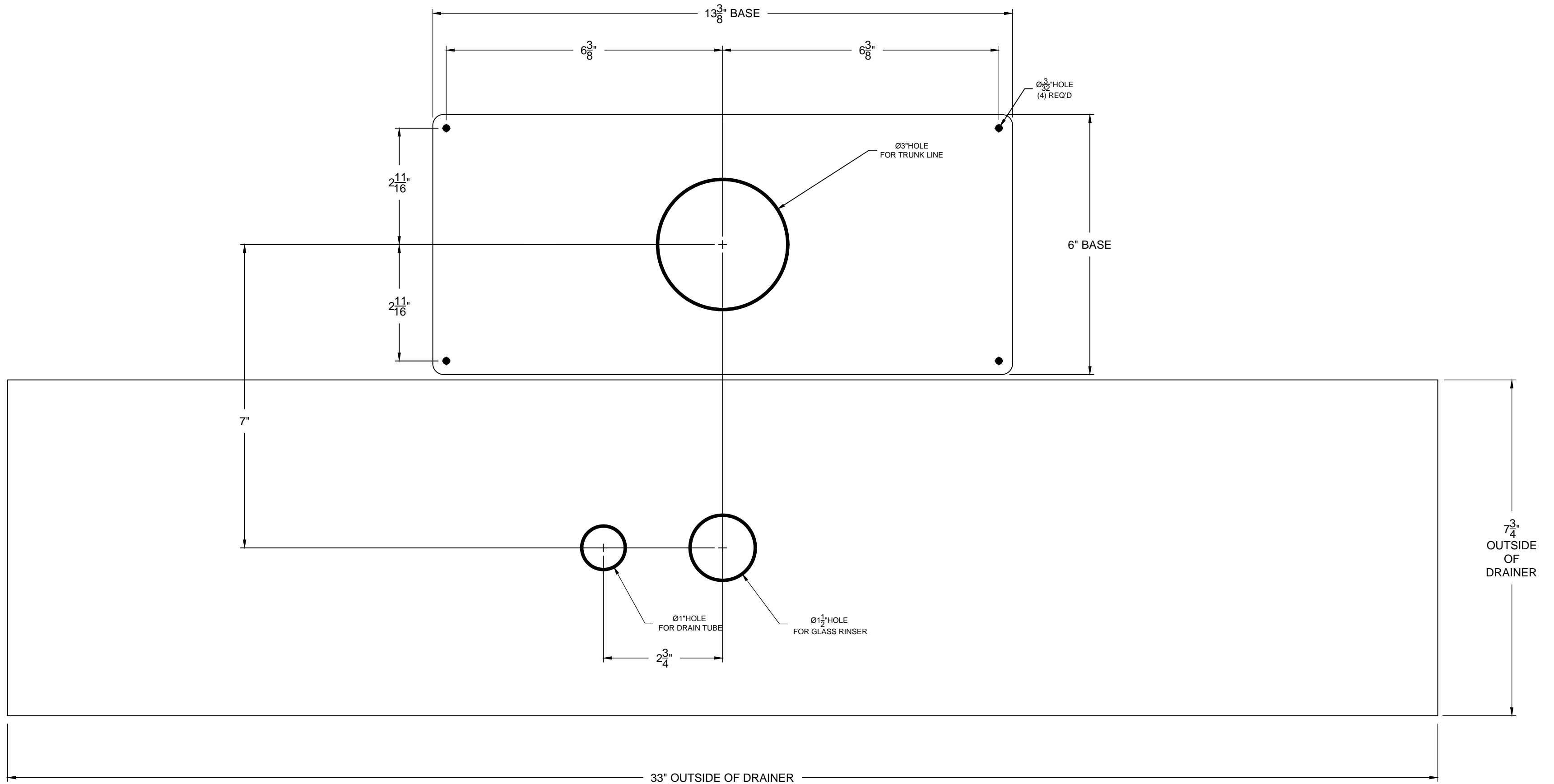
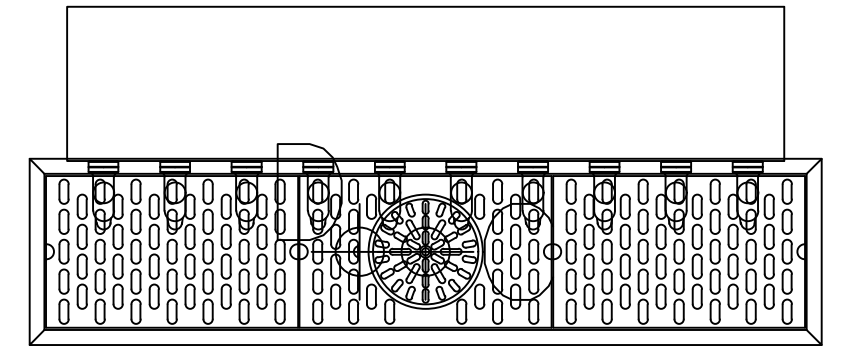
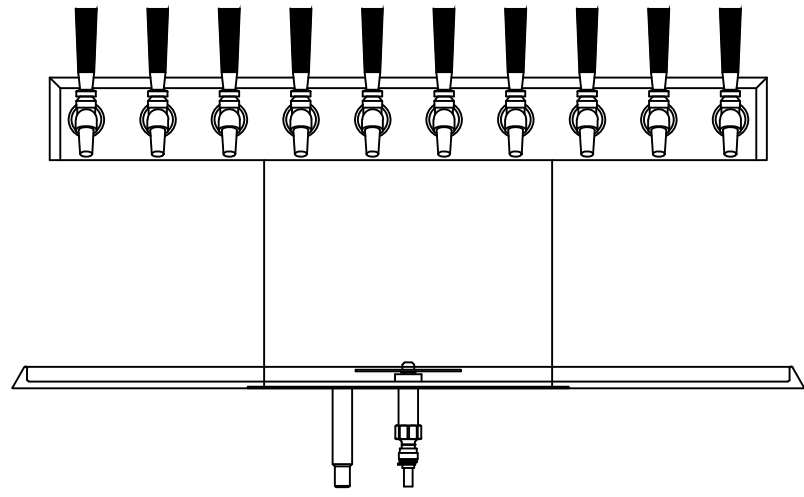


4006S10B & C18655-GRC

MOUNTING TEMPLATE



PERLICK CORPORATION
MILWAUKEE, WI 53223
PROPERTY OF THE PERLICK CORP.
NOT TO BE COPIED OR USED DETRIMENTAL TO OUR INTERESTS.

SCALE 1:2
DR. DRH DATE 8-30-2016

LAST MODIFIED
XX-XX-XXXX

1006663