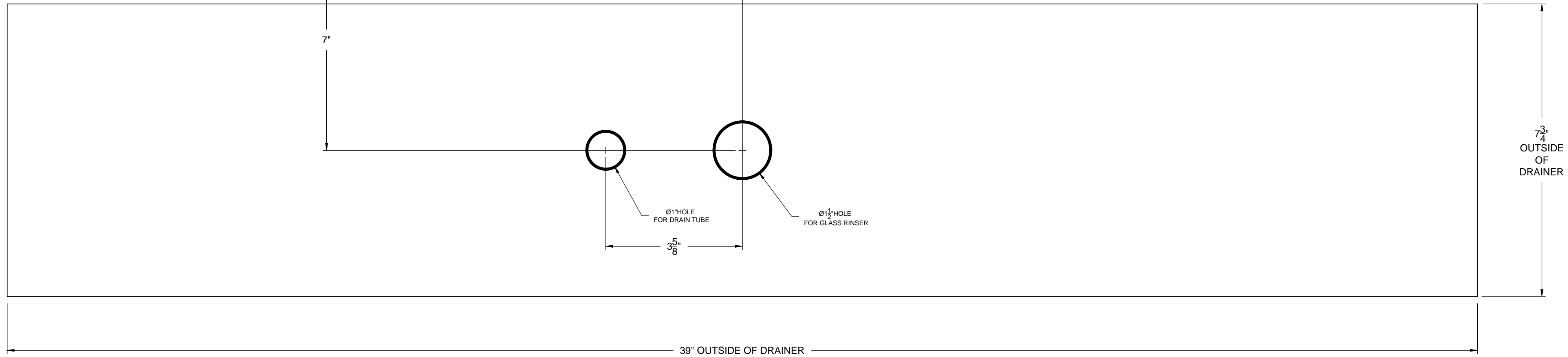
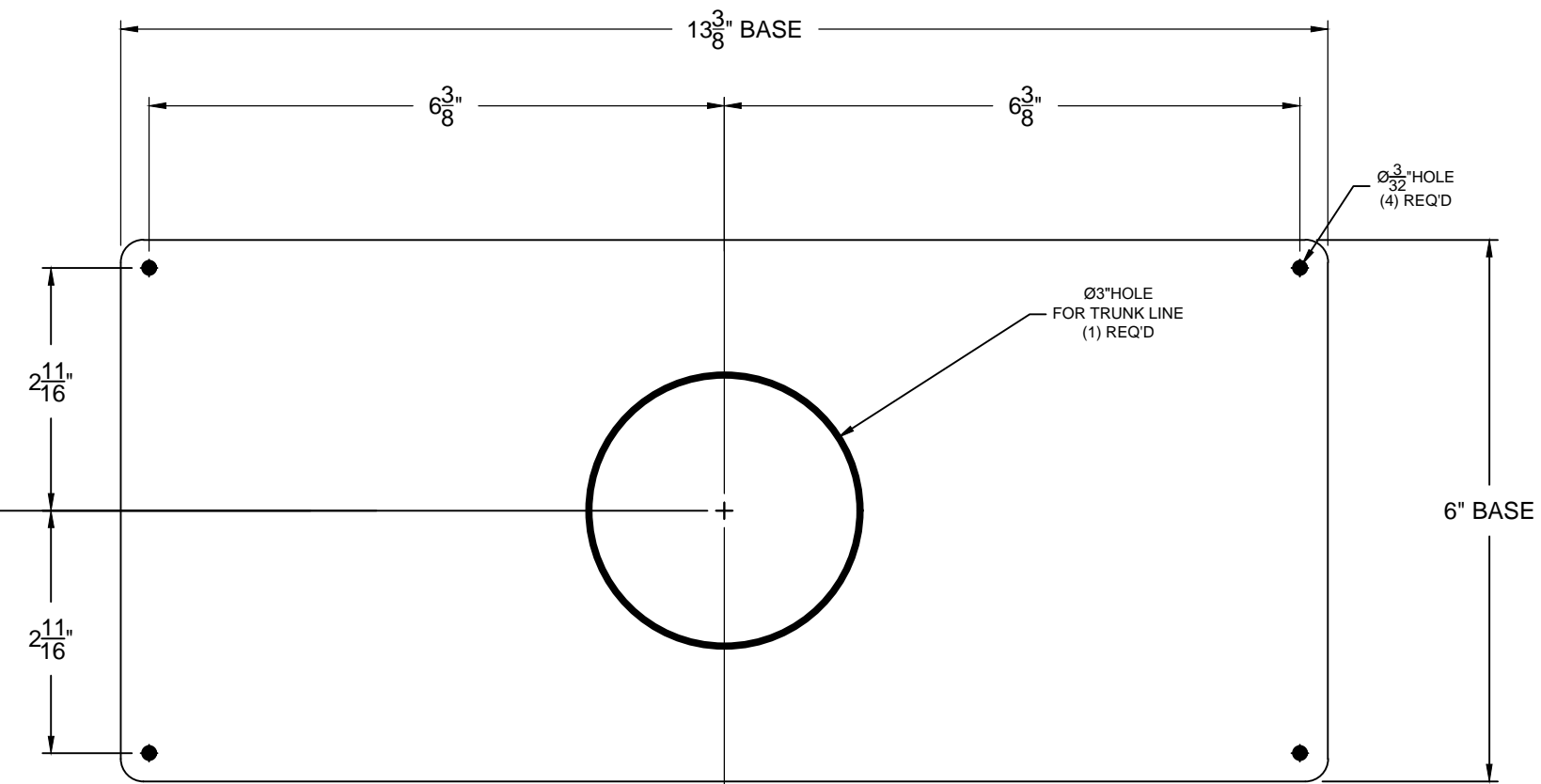
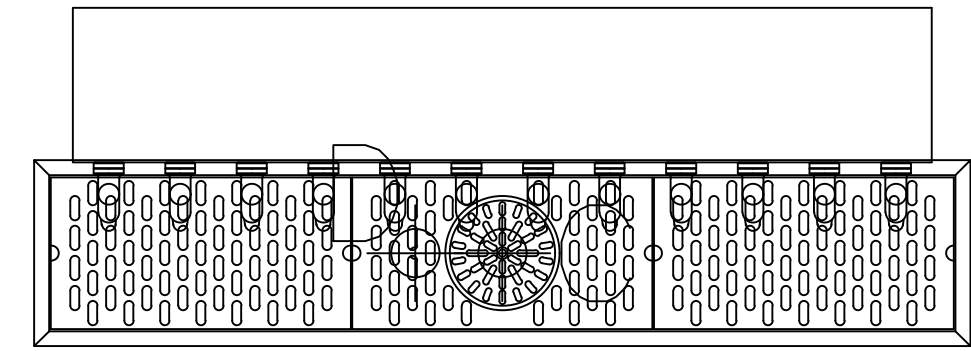
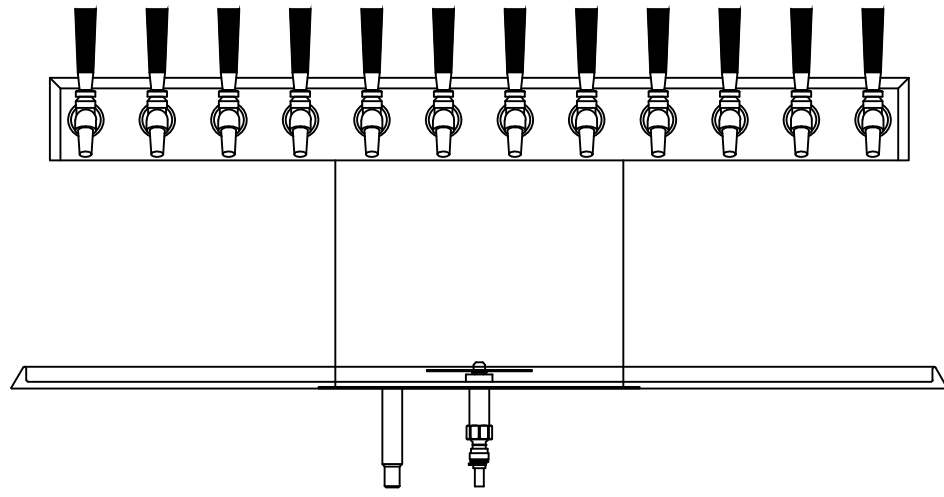


# 4006S12B & C18658-GRC

## MOUNTING TEMPLATE



PERLICK CORPORATION  
 MILWAUKEE, WI 53223  
PROPERTY OF THE PERLICK CORP.  
 NOT TO BE COPIED OR USED DETRIMENTAL TO OUR INTERESTS.

SCALE 1:2  
 DR. DRH DATE 8-30-2016

LAST MODIFIED  
 XX-XX-XXXX

1006662