



LIGHTED MERCHANDISE DISPLAY
Two Tier



JOB	
AREA	
ITEM NO.	
MODEL NO.	

MODELS	
Cord/Switch - Left (White)	Cord/Switch - Right (White)
LMD2-24L	LMD2-24R
LMD2-36L	LMD2-36R
LMD2-48L	LMD2-48R
LMD2-60L	LMD2-60R
LMD2-72L	LMD2-72R
LMD2-84L	LMD2-84R

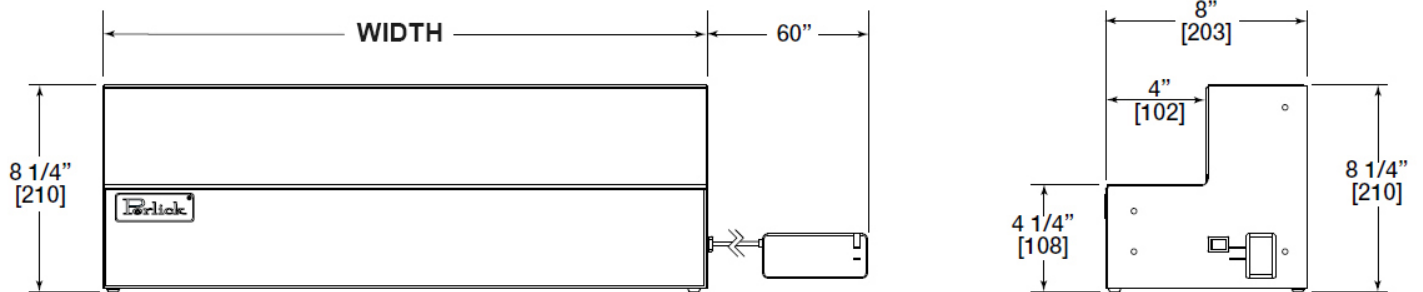
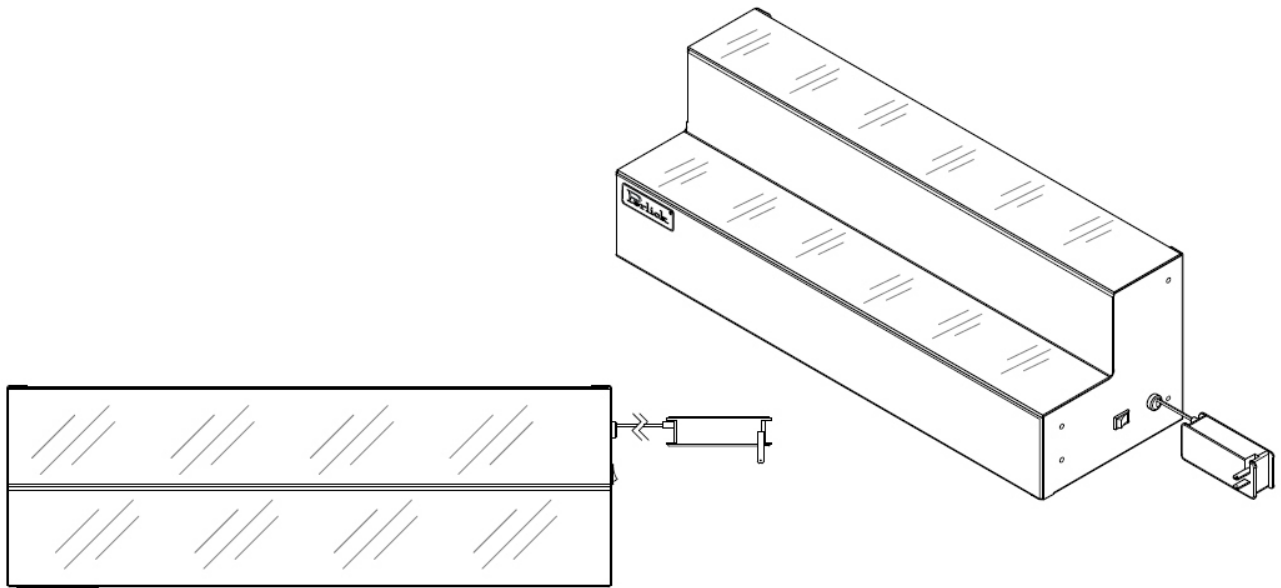
MODEL NUMBERS - LMD2-24L/R, LMD2-36L/R, LMD2-48L/R, LMD2-60L/R, LMD2-72L/R, LMD2-84L/R

MODEL NOS.		LMD2-24L/R	LMD2-36L/R	LMD2-48L/R	LMD2-60L/R	LMD2-72L/R	LMD2-84L/R
DIMENSIONS	Width, Inches (mm)	24 (610)	36 (914)	48 (1219)	60 (1524)	72 (1829)	84 (2134)
	Depth, Inches (mm)	8 (203)	8 (203)	8 (203)	8 (203)	8 (203)	8 (203)
	Height, Inches (mm)	8-1/4 (210)	8-1/4 (210)	8-1/4 (210)	8-1/4 (210)	8-1/4 (210)	8-1/4 (210)
SHIPPING WEIGHT, LBS (KG)		13 (5.9)	20 (9.1)	26 (11.8)	33 (15.0)	40 (18.2)	46 (20.9)
CONSTRUCTION		All stainless steel construction with acrylic step covers (2-tiers, 4" deep). Modular construction – factory adjoined 2- and 3-foot wide units create displays up to 108" wide.					
ELECTRICAL		Input: AC 100-240V, 50/60Hz, 1.2A Output: DC 12V, 3.8A, 45W, transformer w/2-prong plug (NEMA 1-15P, 5 ft. cord – left or right end option and on/off switch), transformer w/2-prong plug 4" long x 2" wide x 1.5" thick. Dry location use only.					
LED COLOR		Cool White, 4200K, 50,000 hours min.					
NO. OF LEDS		36	57	72	93	114	129
TOTAL WATTS		5.64w	8.93w	11.28w	14.57w	17.86w	20.21w
TOTAL AMPS		.47A	.74A	.94A	1.21A	1.48A	1.68A
WARRANTY		LED Lamp: 3 years parts, 90 days labor Power Supply/Transformer: 1 year parts, 90 days labor					



LIGHTED MERCHANDISE DISPLAY
Two Tier

MODEL NUMBERS - LMD2-24L/R, LMD2-36L/R, LMD2-48L/R, LMD2-60L/R, LMD2-72L/R, LMD2-84L/R



MODEL LMD 2-24R ILLUSTRATED