



**LIGHTED MERCHANDISE DISPLAY**  
*Two Tier*



JOB	
AREA	
ITEM NO.	
MODEL NO.	

MODELS	
Cord/Switch - Left (White)	Cord/Switch - Right (White)
LMD2-24L	LMD2-24R
LMD2-36L	LMD2-36R
LMD2-48L	LMD2-48R
LMD2-60L	LMD2-60R
LMD2-72L	LMD2-72R
LMD2-84L	LMD2-84R
LMD2-96L	LMD2-96R
LMD2-108L	LMD2-108R

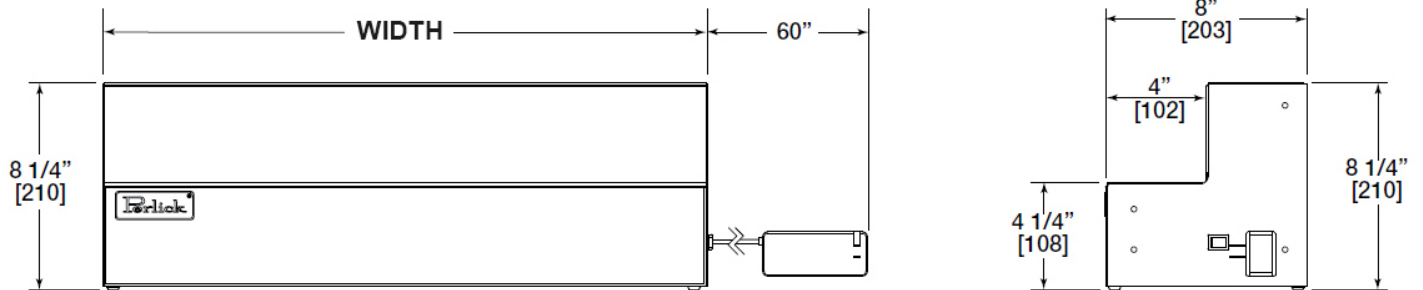
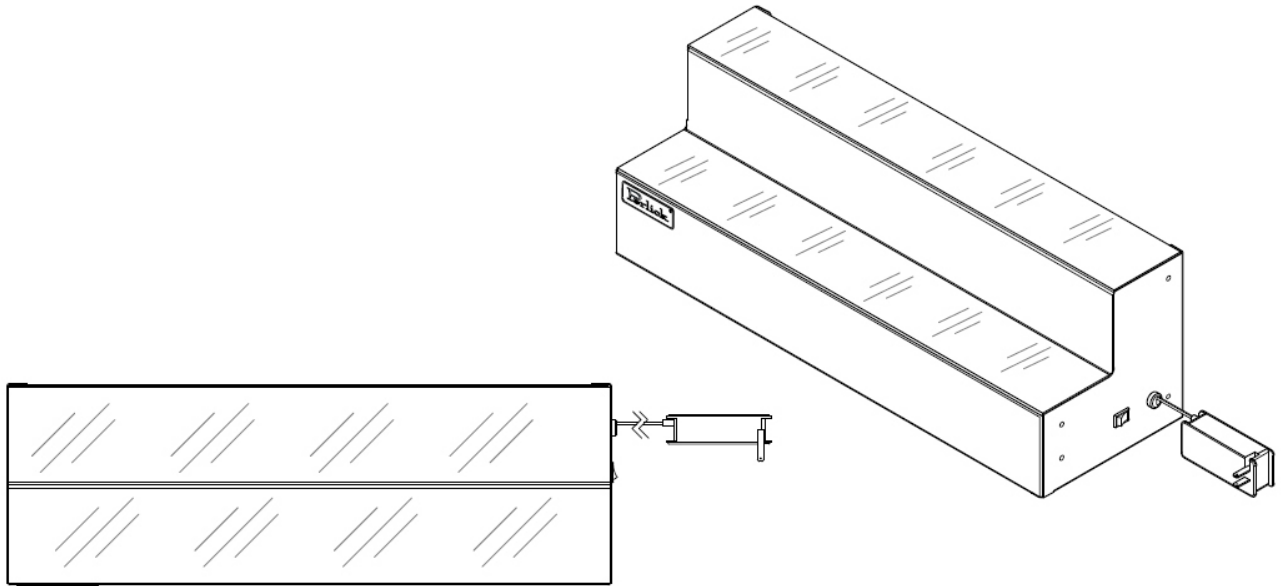
MODEL NOS.	LMD2-24L/R	LMD2-36L/R	LMD2-48L/R	LMD2-60L/R	LMD2-72L/R	LMD2-84L/R	LMD2-96L/R	LMD2-108L/R	
DIMENSIONS	Width, Inches (mm)	24 (610)	36 (914)	48 (1219)	60 (1524)	72 (1829)	84 (2134)	96 (2438)	108 (2743)
	Depth, Inches (mm)	8 (203)	8 (203)	8 (203)	8 (203)	8 (203)	8 (203)	8 (203)	8 (203)
	Height, Inches (mm)	8-1/4 (210)	8-1/4 (210)	8-1/4 (210)	8-1/4 (210)	8-1/4 (210)	8-1/4 (210)	8-1/4 (210)	8-1/4 (210)
SHIPPING WEIGHT, LBS (KG)	13 (5.9)	20 (9.1)	26 (11.8)	33 (15.0)	40 (18.2)	46 (20.9)	53 (24.1)	60 (27.3)	
CONSTRUCTION	All stainless steel construction with acrylic step covers (2-tiers, 4" deep). Modular construction – factory adjoined 2- and 3-foot wide units create displays up to 108" wide.								
ELECTRICAL	<b>Input:</b> AC 100-240V, 50/60Hz, 1.2A <b>Output:</b> DC 12V, 3.8A, 45W, transformer w/2-prong plug (NEMA 1-15P, 5 ft. cord – left or right end option and on/off switch), transformer w/2-prong plug 4" long x 2" wide x 1.5" thick. Dry location use only.								
LED COLOR	Cool White, 4200K, 50,000 hours min.								
NO. OF LEDS	36	57	72	93	114	129	150	171	
TOTAL WATTS	5.64w	8.93w	11.28w	14.57w	17.86w	20.21w	23.50w	26.79w	
TOTAL AMPS	.47A	.74A	.94A	1.21A	1.48A	1.68A	1.95A	2.22A	
WARRANTY	<b>LED Lamp:</b> 3 years parts, 90 days labor <b>Power Supply/Transformer:</b> 1 year parts, 90 days labor								

MODEL NUMBERS - LMD2-24L/R, LMD2-36L/R, LMD2-48L/R, LMD2-60L/R, LMD2-72L/R, LMD2-84L/R, LMD2-96L/R, LMD2-108L/R



**LIGHTED MERCHANDISE DISPLAY**  
*Two Tier*

MODEL NUMBERS - LMD2-24L(R), LMD2-36L(R), LMD2-48L(R), LMD2-60L(R), LMD2-72L(R), LMD2-84L(R), LMD2-96L(R), LMD2-108L(R)



MODEL LMD 2-24R ILLUSTRATED