



TOP SHELF FULL DEPTH STORAGE CABINET WITH SINK AND TRASH CHUTE
TSF Series 18"W x 24"D

NSF
 C US
 ASME A112.19.3/
 CSA B45.4
 NSF/ANSI 2



TSF18DS-TR

JOB	
AREA	
ITEM NO.	
MODEL NO.	

MODELS
TSF18DS-TR

KEY PRODUCT FEATURES AND BENEFITS

- Space saving design incorporating dump sink and trash into one.
- Drawn, 18 gauge stainless steel sink bowl and work surface has a long life span and is dent resistant, even under heavy use.
- Optional stainless steel field reversable door hides the cabinet contents.
- Conveniently located waste chute.
- Our new, more robust Perlick Quick Clamp leg attachment still features easy tool-less installation, when legs are used.

Additional Features:

- All stainless steel construction.
- Optional Perlick Flex Mount leg relocation kit moves rear legs forward for additional space behind the equipment or moves forward legs rearward to help avoid pesky floor drains, available on TSF/TSS units.
- Stainless steel legs with adjustable thermoplastic feet install without tools for freestanding applications.
- Optional NSF-listed commercial-grade hot/cold water faucet stands up to years of use and can be easily serviced from the front.
- Optional side splashes.

Form No. Z2970
 Rev. 12.11.23



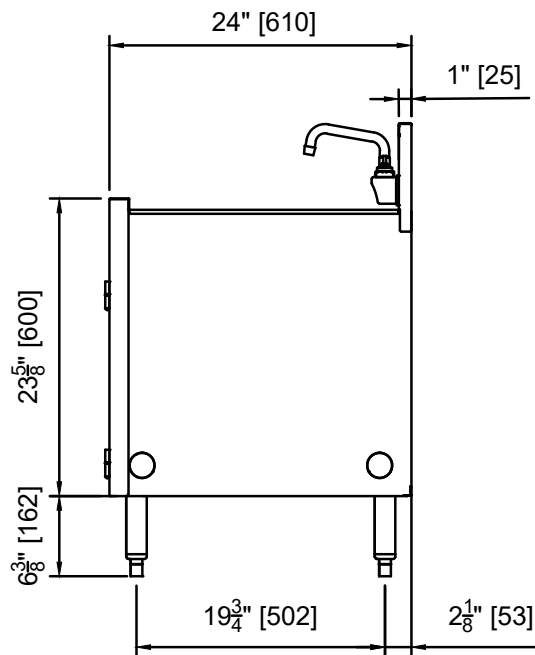
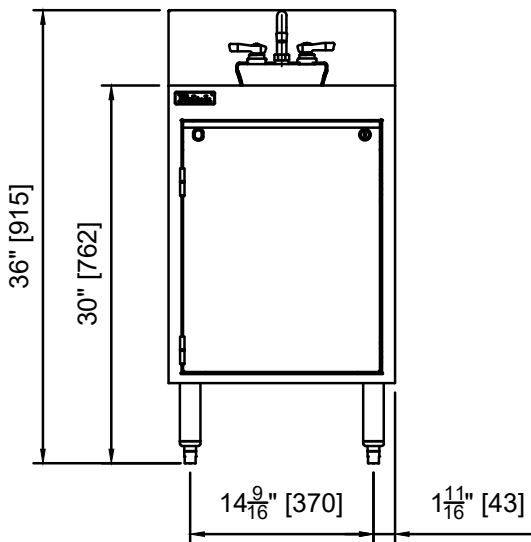
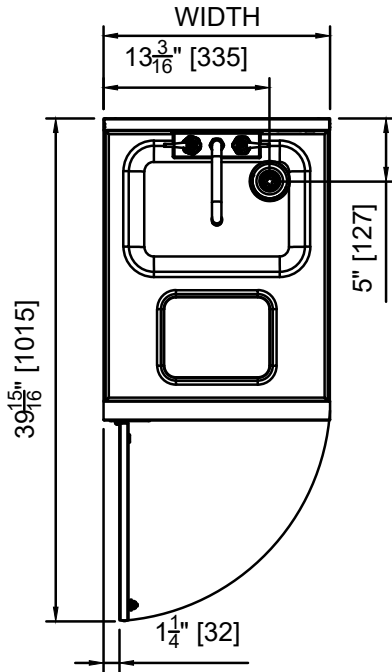
TOP SHELF FULL DEPTH STORAGE CABINET WITH SINK AND TRASH CHUTE
TSF Series 18"W x 24"D

MODEL NUMBERS - TSF18DS-TR

MODEL NOS.		TSF18DS-TR
DIMENSIONS: EXTERIOR	Width In. (mm)	18" (457)
	Weight lb. (kg)	50 lbs. (23)
MATERIALS	Construction	All stainless steel
	Top & Deck	18 gauge stainless steel
	Front & Back	Seamless 18 gauge stainless steel
	Backsplash	Stainless steel 6" high (4" high optional) with 1" return at the top, mechanically fastened and sealed with steel support brackets.
	Legs	1-5/8" tubular, stainless steel with 1" adjustable stainless steel foot.
	Bowl	Drawn, 18 gauge stainless steel. All horizontal and vertical edges 1-1/2" radius with balled corners. Furnished with 1-1/2" stainless steel drain socket. 14"W x 10" front-to-back x 9" deep.
	Waste Chute	5" diameter with 5/8" raised rim (Waste basket supplied by other)
	Water Faucet	Hot and cold, heavy-duty all brass construction, chrome plated, wall-mounted goose-neck faucet. Must be ordered separately.
MECHANICALS	Plumbing	Drain connection- 1-1/2" NPS Male.
OPTIONAL ACCESSORIES	Door	DR18SC Stainless steel door and magnetic catch and a lock set. Field reversible with simple tools.
	Endsplash	SC-ES (must specify left or right location)
	Faucet	934GN-LF



TOP SHELF FULL DEPTH STORAGE CABINET WITH SINK AND TRASH CHUTE
TSF Series 18"W x 24"D





TOP SHELF FULL DEPTH STORAGE CABINET WITH SINK AND TRASH CHUTE
TSF Series 18"W x 24"D

MODEL NUMBERS - TSF18DS-TR

