

Perlick® 24" PAINTED DOOR KITS

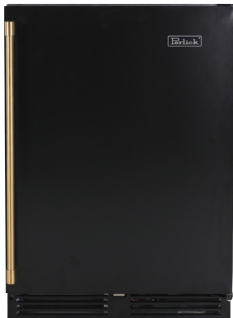
JOB	
AREA	
ITEM NO.	
MODEL NO.	



24RDK-MW-S-BR
White Solid Door Model



24RDK-MW-G-BR
White Glass Door Model



24RDK-MB-S-BR
Black Solid Door Model



24RDK-MB-G-BR
Black Glass Door Model

MODELS	DESCRIPTION
24RDK-MW-S-BR	24" Signature Series Replacement Door Kit White Solid Door with Brass Handle
24RDK-MW-G-BR	24" Signature Series Replacement Door Kit White Glass Door with Brass Handle
24RDK-MB-S-BR	24" Signature Series Replacement Door Kit Black Solid Door with Brass Handle
24RDK-MB-G-BR	24" Signature Series Replacement Door Kit Black Glass Door with Brass Handle

KEY PRODUCT FEATURES AND BENEFITS

- Add a pop of color to any current generation standard height Perlick undercounter refrigerator with a white or black replacement door with brushed brass handle
- Super-durable automotive grade powder coat applied to stainless steel for superior corrosion and color fade resistance
- Lifetime PVD brushed brass coating applied to handle to protect handle finish
- Kit includes all components for replacing left or right hinge doors, toe kick, and all required hardware



WARNING: California Prop 65 Notice

These products may expose you to chemicals including Chromium, which are known to the state of California to cause cancer and birth defects or other reproductive harm. For more information on whether a product in this list contains these chemicals, please refer to the specific product page at perlick.com. Or to find out more about **Prop 65**, go to P65Warnings.ca.gov.

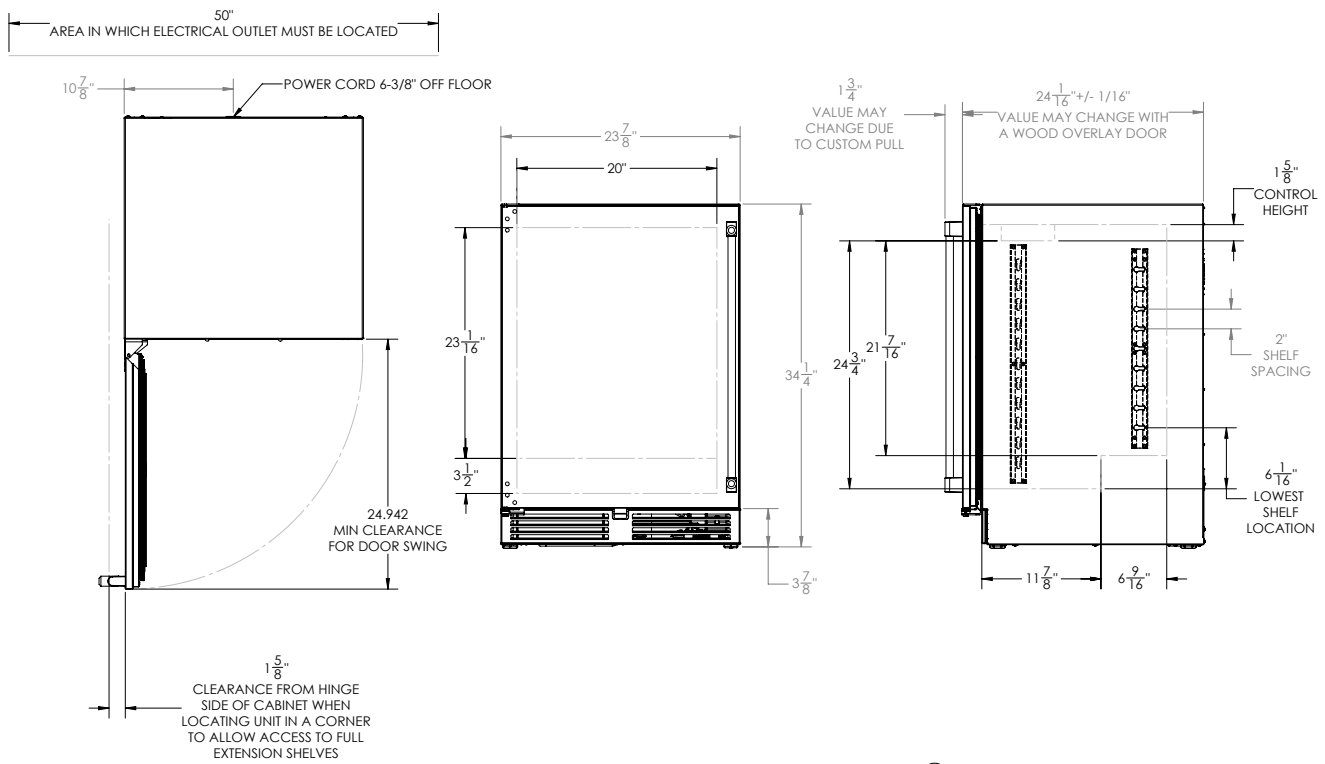
Form No. Z2946
Rev 10.16.23

Perlick® 24" PAINTED DOOR KITS

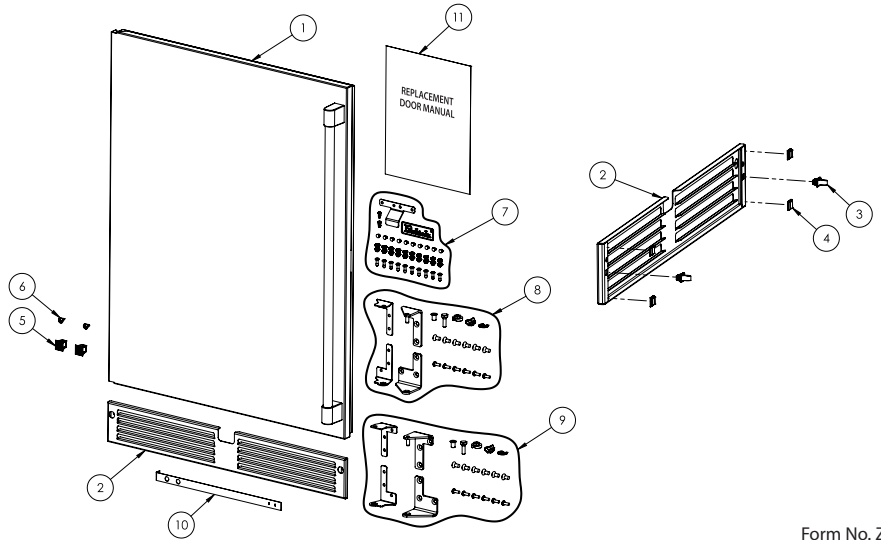
COLORS AVAILABLE / MODEL NUMBERS		White: 24RDK-MW-S-BR Black: 24RDK-MW-S-BR	White: 24RDK-MW-S-BR Black: 24RDK-MW-S-BR
MODEL DESCRIPTION		Solid Door Replacement Kit	Glass Door Replacement Kit
SHIPPING DIMENSIONS	Width - in. (mm)	25-10/16" (651 mm.)	25-10/16" (651 mm.)
	Depth - in. (mm)	7-1/8" (181 mm.)	7-1/8" (181 mm.)
	Height - in. (mm)	36" (914 mm.)	36" (914 mm.)
SHIPPING WEIGHT Lbs. (kg.)		30.0 lbs (14 kg.)	34.0 lbs (15 kg.)

Painted replacement door kits will fit any 24" undercounter refrigerator manufactured after 1/1/2021. Manufacture date can be determined by serial number. Contact your local Perlick representative to confirm fit if installing on existing unit

*See product page on perlick.com for installation instructions.



ITEM NO.	DESCRIPTION	QTY.
1	Door	1
2	Toe Kick	1
3	Toe Kick Install Clip	2
4	Toe Kick Bumper	4
5	Toe Kick Hardware	2
6	Toe Kick Hardware	2
7	Door Hardware Kit	1
8	Right Hinge Install Bag	1
9	Left Hinge Install Bag	1
10	Plunger Pusher Locating Fixture	1
11	Installation Instructions	1



Install manual available at perlick.com.

Form No. Z2946
Rev 10.16.23