



GLASS RINSER INSTALLATION GUIDE AND OPERATIONS



Form No. Z2864
Rev. 10.04.22

TABLE OF CONTENTS

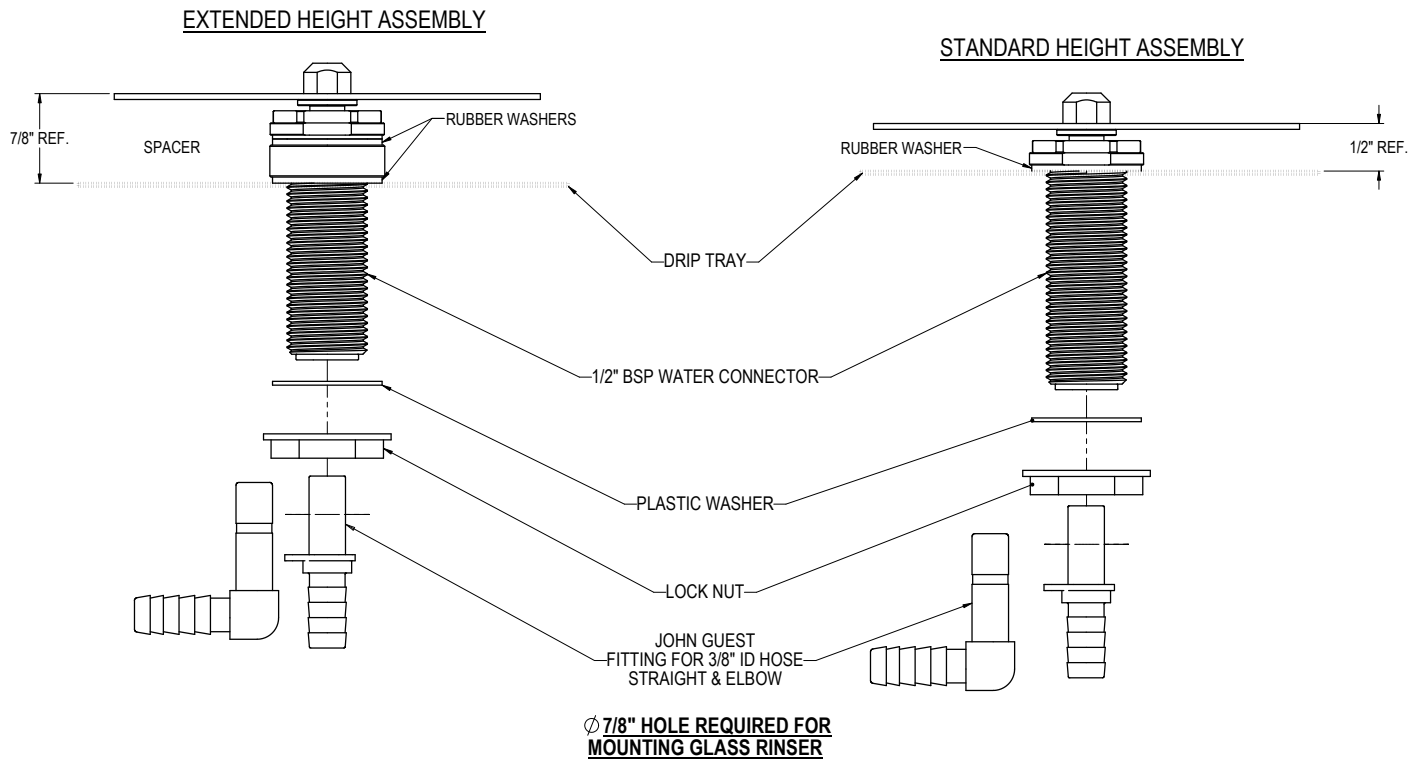
- Set up and install
- Typical installation
- Cleaning and maintenance
- Commonly replaced parts



SET UP AND INSTALL

Step 1:

Identify your glass rinser per the image below.

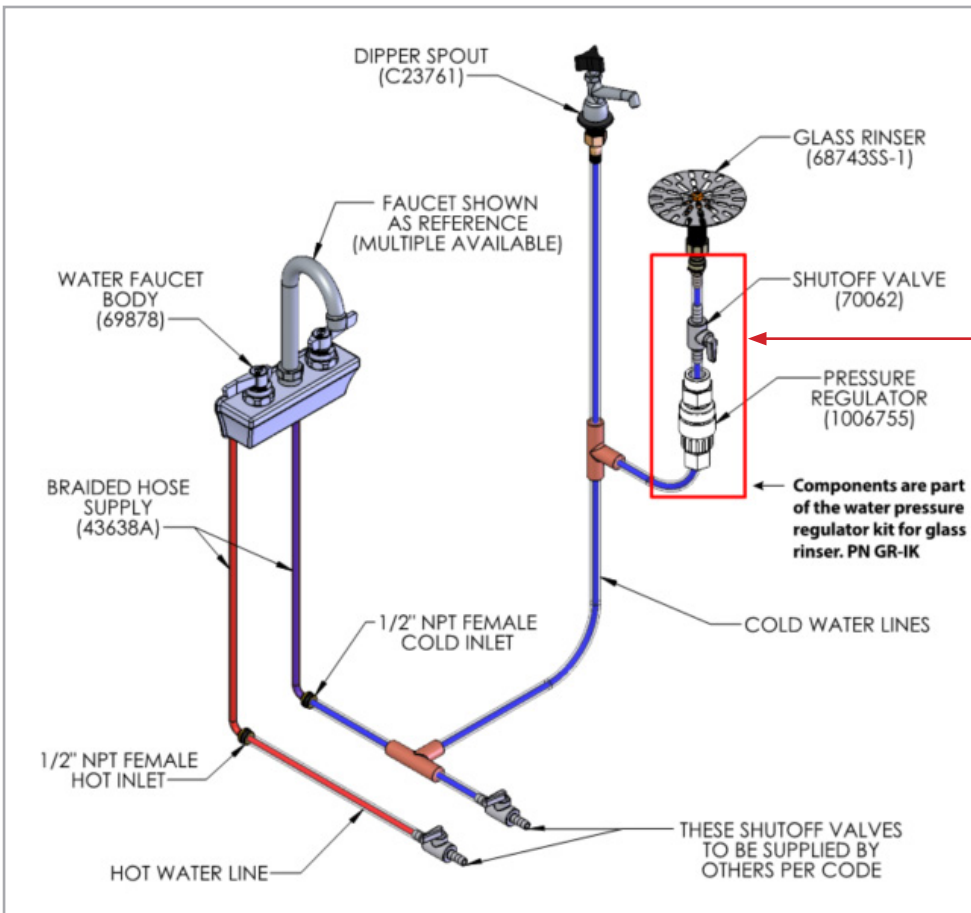


TYPICAL INSTALLATION



Step 2:

Locate the water pressure regulator kit PN GR-IK.



Step 3:

Hook up the water pressure regulator to the glass rinser John Guest fitting.

**Prep Sink Installation shown for reference*

CLEANING

Cleaning is required daily to keep the glass washer working properly. Sugars can build up under the plate and cause the glasswasher to quit working. Daily cleaning should only take a couple of minutes.

To clean your glass rinser you will need: clean glass, rag or brush, warm soapy water.

Step 1:

Clean push plate with warm soapy water to help dissolve the sugars.

Step 2:

Rinse with clean warm water.

Step 3:

Use a clean glass to activate the rinser for 15 to 20 seconds to flush away any debris in the rinser cartridge.



MAINTENANCE

CAUTION: Shut off the water supply valve to the rinser faucet.

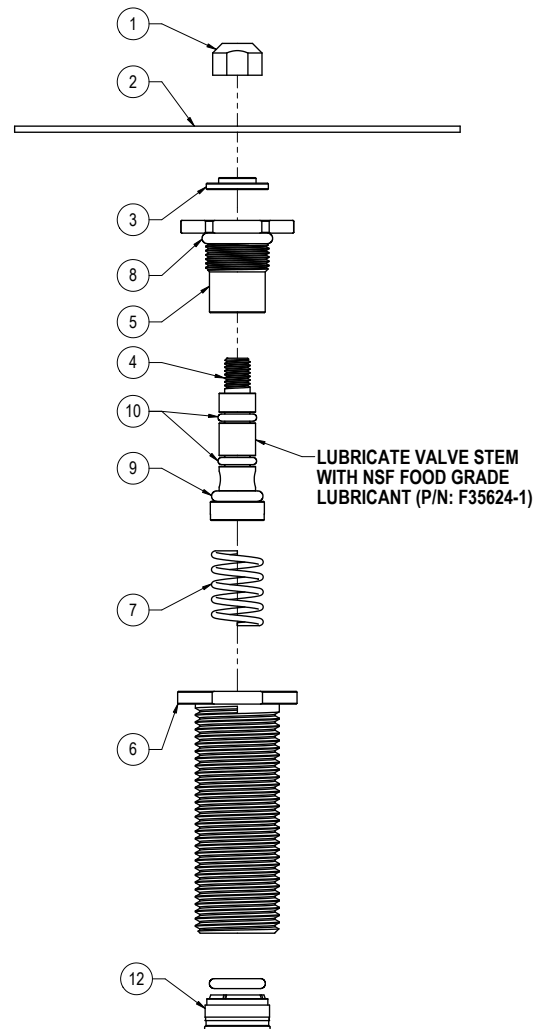
WARNING: Rinser faucets require a pressure regulator that must be installed. See part number GR-IK.

- Extended use of your rinser faucet to remove sugar, cream, fruit juice or any other sticky liquid can create build up inside the sprayer cartridge.
- Common symptoms are leaking, sticking, or slow reaction time up or down when pushing on the plate.

Steps:

1. Turn off the water supply to the rinser.
2. Remove the push plate, by removing the top nut.
3. Gently loosen and remove the cartridge using an adjustable wrench.
4. Disassemble the cartridge.
5. Clean all components with soap and warm water.
6. Check the O'rings and rubber washer for wear or damage, replace O'rings and washer if needed.
7. Lubricate the outside of all components with food grade lubricant.
8. Reassemble the cartridge.
9. Reinstall cartridge by snugging up the nut.
10. Reinstall push plate and re-installing the top nut.

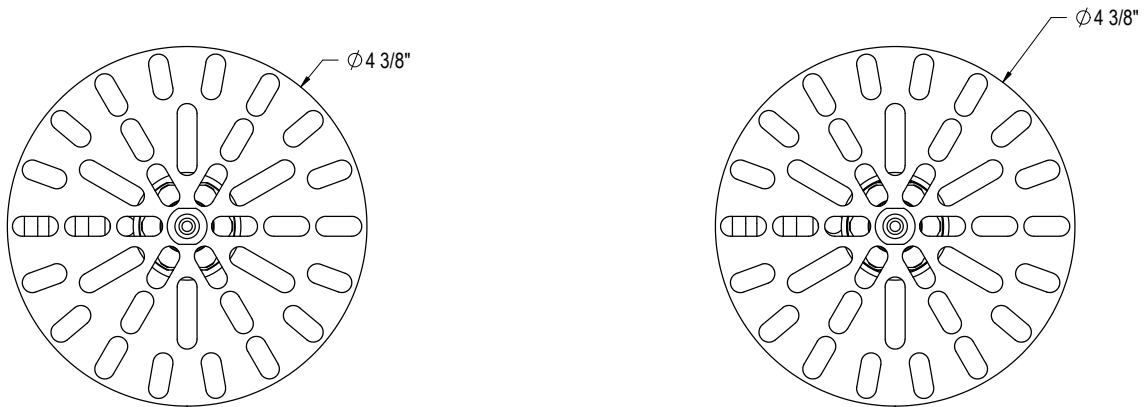
NOTE: Proper maintenance will help extend the life of your rinser faucet.



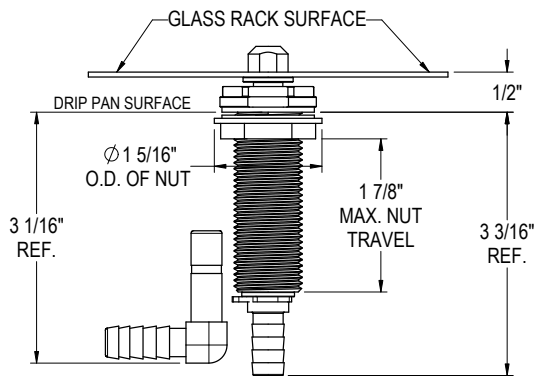
PARTS SPECS

Dimension views

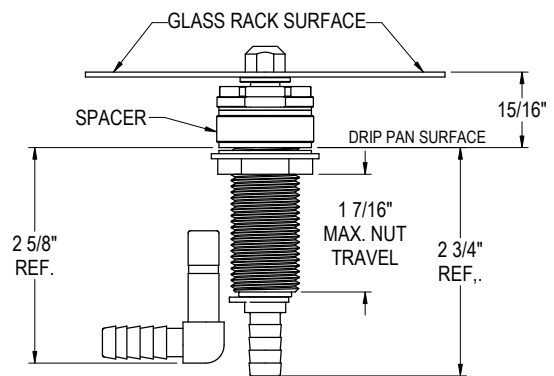
Figure 1



STANDARD HEIGHT ASSEMBLY



EXTENDED HEIGHT ASSEMBLY

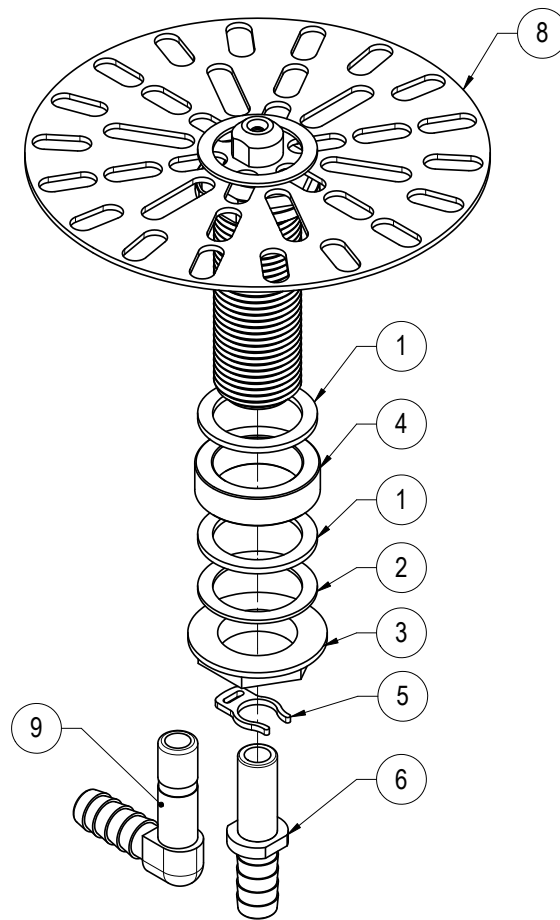


Ø 7/8" HOLE REQUIRED TO MOUNT GLASS RINSER

PARTS VIEWS

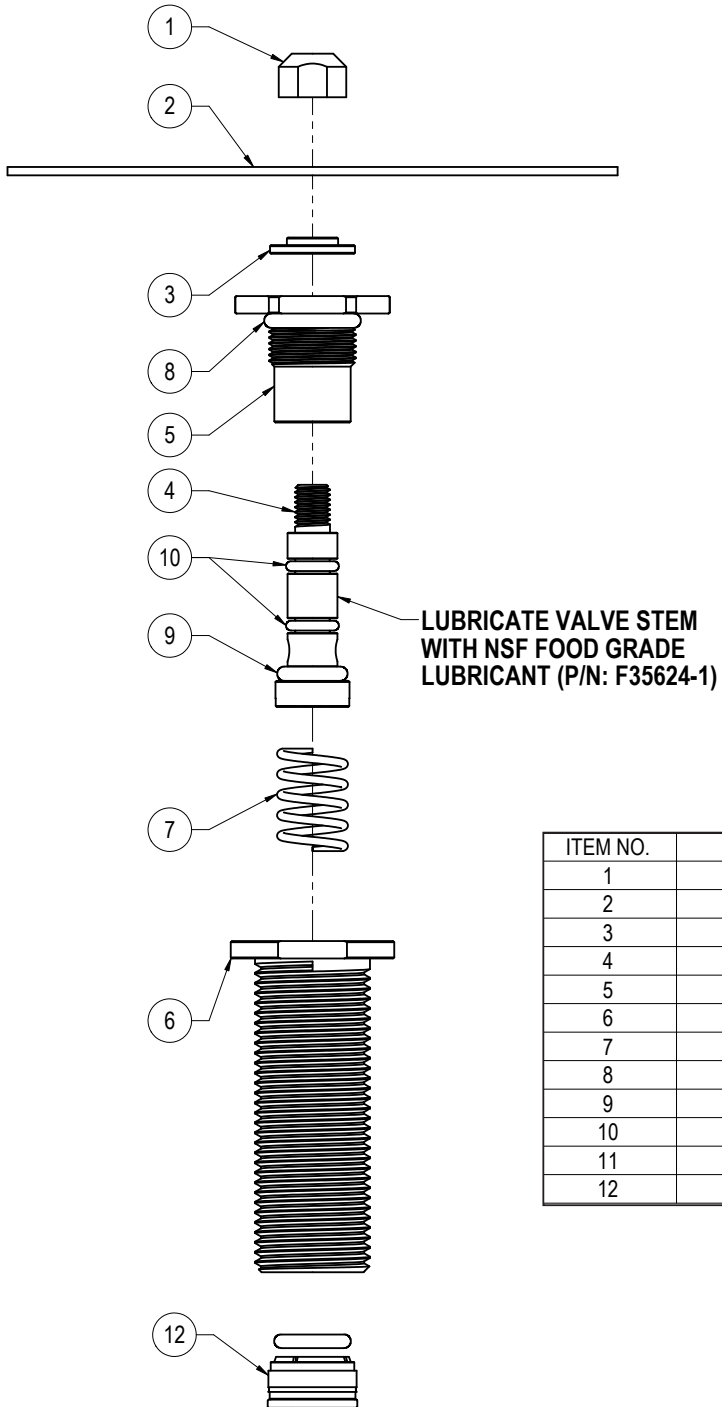
Figure 2

ITEM NO.	PART NUMBER	DESCRIPTION	QTY.
1	67843-1	RUBBER WASHER	2
2	67844-1	WASHER, PLASTIC, GLASS RINSER	2
3	310-32	LOCK NUT, 1/2", FLANGED	1
4	67937-2	SPACER, GLASS RINSER, .328" H	1
5	67867	CLIP, LOCKING, JOHN GUEST, PIC1812R	1
6	67862	TUBE TO HOSE STEM	1
7	68833	INSTALLATION DWG. FOR GLASS RINSER	1
8	68743SSA1	GLASS RINSER VALVE ASSEMBLY,	1
9	70130	CONNECTOR, ELBOW, 3/8"X3/8"	1



PARTS VIEWS

Figure 3



ITEM NO.	PART NUMBER	DESCRIPTION	QTY.
1	67840-1	NOZZLE	1
2	68744A1	DISK, 4.38" DIA.	1
3	67845-1	BUSHING, DISK	1
4	68747-1	VALVE STEM	1
5	68745-1	VALVE HOUSING,	1
6	68746A1	SHANK, THREADED	1
7	405S	SPRING, GLASS RINSER	1
8	18129-112	"O"-RING, 11/16" OD X 1/2" ID X 3/32" CS	1
9	67866	"O"-RING, .299 ID X .103 CS	1
10	63956	"O"-RING, .239 ID X .070 CS	2
11	F35624-1	LUBRICANT, FOOD GRADE, USDA-H1	-
12	70131	CARTRIDGE, HALF, 3/8 BRASS	1



Form No. Z2864
Rev. 10.04.22

8300 West Good Hope Road • Milwaukee, WI 53223
Toll Free 800.558.5592 • Fax 414.353.7069 • info@perlick.com • www.perlick.com