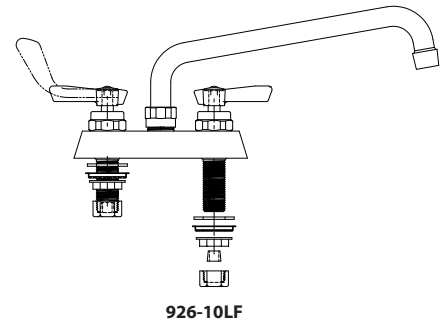
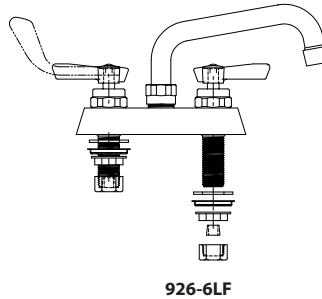
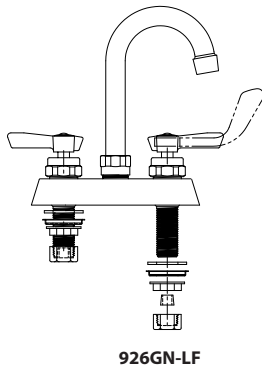
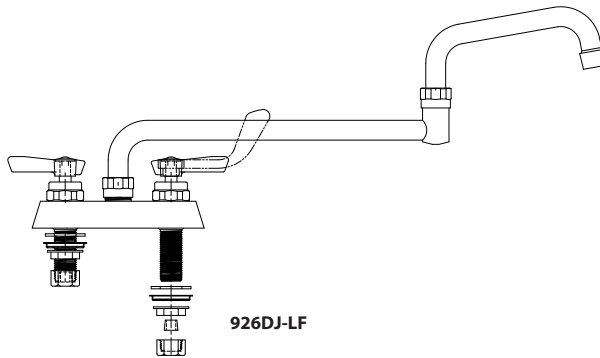


Perlick® 926 DECK MOUNT FAUCET



JOB	
AREA	
ITEM NO.	
MODEL NO.	

MODELS
926-6LF
926-10LF
926DJ-LF
926GN-LF



KEY PRODUCT FEATURES AND BENEFITS

- Flexible supply line can be ordered separately
- Wrist blades can be ordered separately
- Aerators can be ordered separately

Quick Features:

- Multiple faucet shapes available including swing spout and gooseneck
- Lead-free: stainless steel construction is completely lead-free for worry-free performance
- Includes quarter-turn cartridges with built-in cross-flow prevention
- Multiple flow rates support ideal function and efficiency
- Heavy-duty construction with stainless steel provides commercial-duty durability



WARNING: California Prop 65 Notice:

These products may expose you to chemicals including Chromium, which are known to the state of California to cause cancer and birth defects or other reproductive harm. For more information on whether a product in this list contains these chemicals, please refer to the specific product page at perlick.com. Or to find out more about Prop 65, go to P65Warnings.ca.gov.

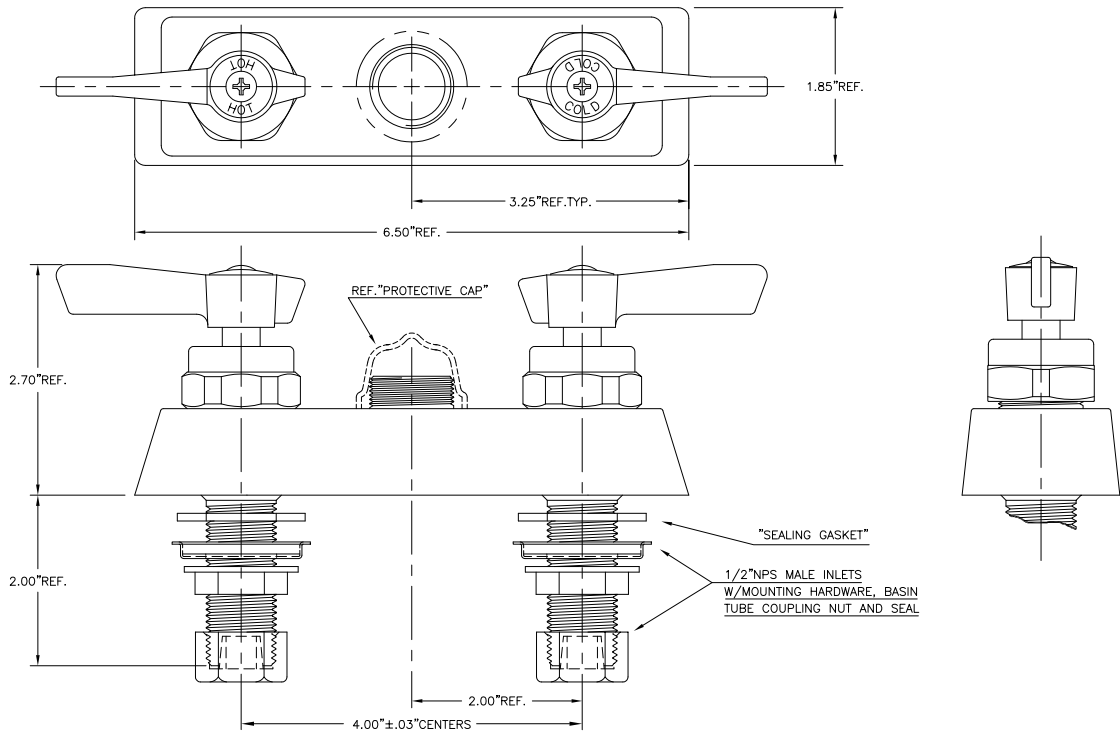
Form No. Z2859
Rev. 05.12.23



926 DECK MOUNT FAUCET

MODEL NOS.		926-6LF	926-10LF	926DJ-LF	926GN-LF
DIMENSIONS: EXTERIOR (mm)	Width	6.5" (165)			
	Depth	1.85" (47)			
	Height	2.75" not including spout			
	Weight (lbs)	2 (.917)			
PERLICK BAR EQUIPMENT	Water Faucet	Hot and cold, heavy-duty all brass construction. Chrome plated.			
	Water Spout Style	6" Swing spout	10" Swing spout	Double-jointed swing spout	Gooseneck swing spout
PLUMBING	Connection	Hot and cold water connection. 9/16 - 24 thread			

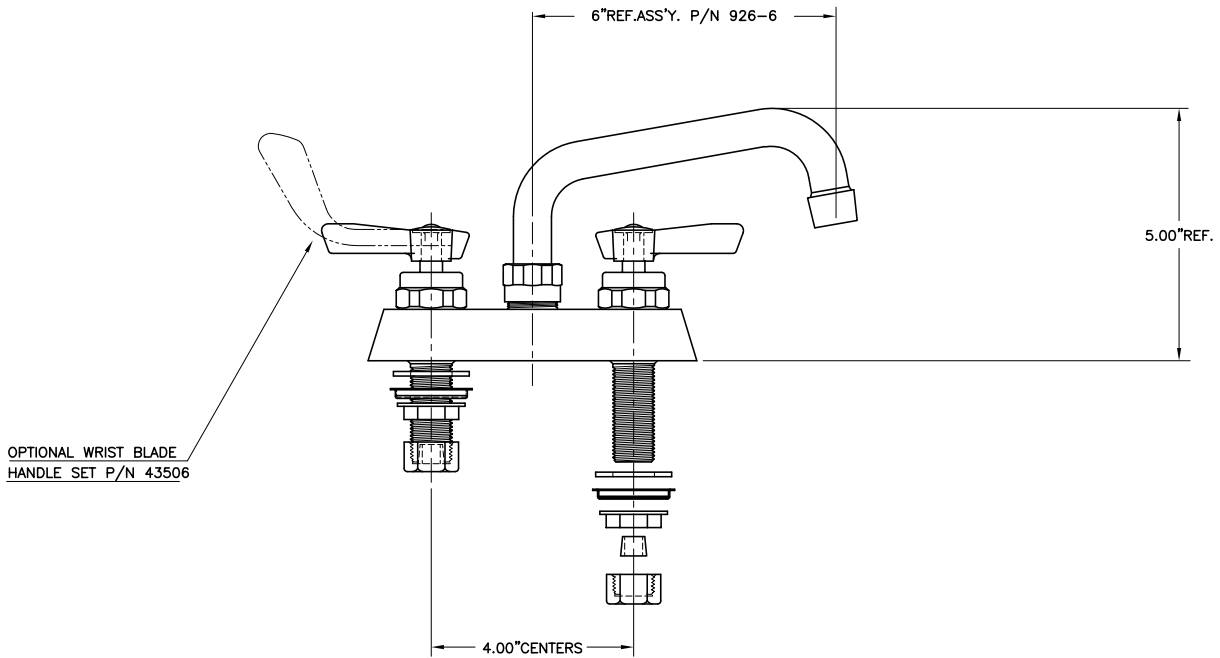
FAUCET BODY



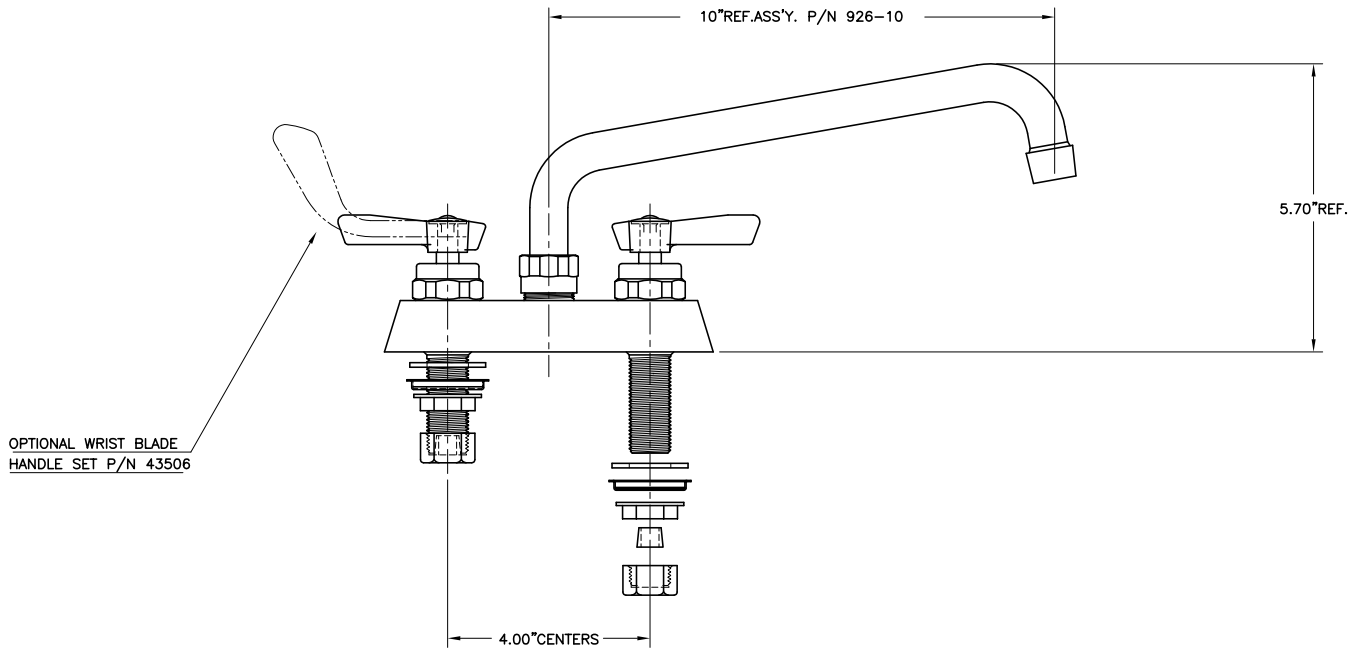


926 DECK MOUNT FAUCET

934-6LF



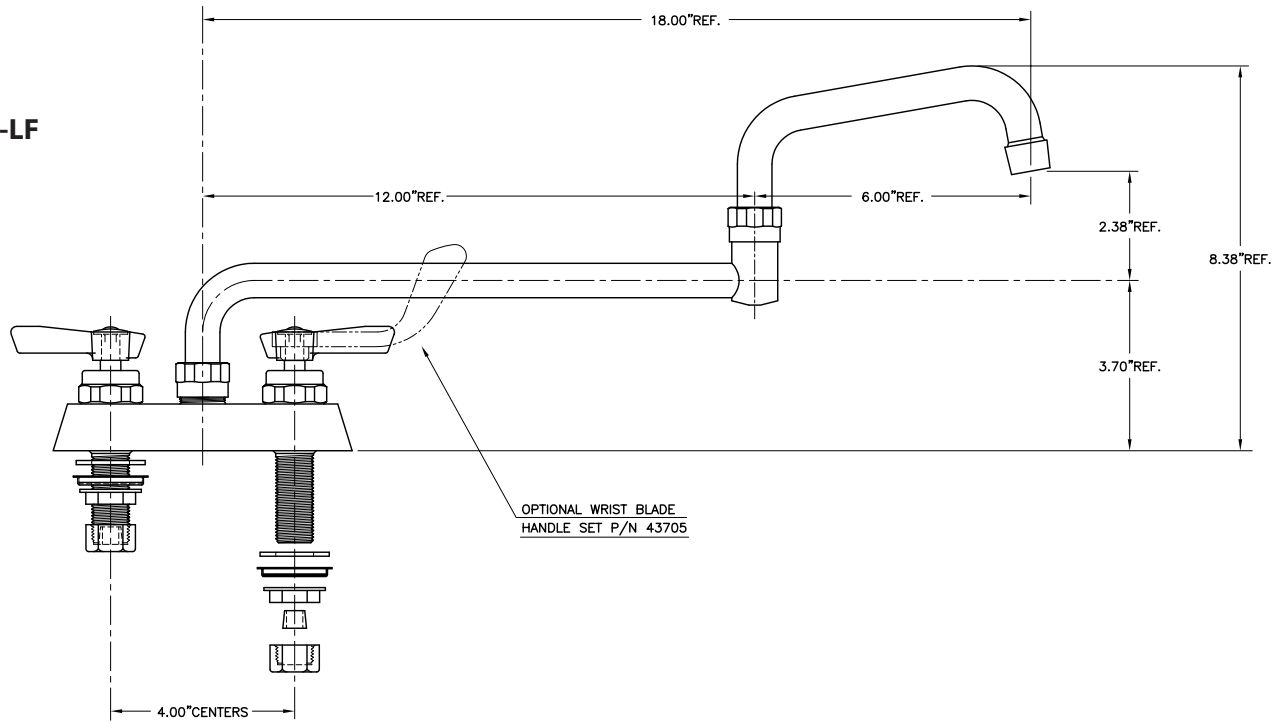
926-10LF





926 DECK MOUNT FAUCET

926DJ-LF



926GN-LF

