



TOP SHELF PASS THROUGH STATION BLENDER STATION
TSS Series - 12" & 18"W x 24"D



TSS12BS
 (Shown with TSS12U2 bottle well
 and optional faucet)

| | |
|-----------|--|
| JOB | |
| AREA | |
| ITEM NO. | |
| MODEL NO. | |

| MODELS |
|---------|
| TSS12BS |
| TSS12DS |
| TSS18BS |

KEY PRODUCT FEATURES AND BENEFITS

- Sink unit designed with a front mounted blender platform and apron access hole to conveniently plug in the blender in the electrical junction box directly under the platform.
- Drawn, 18 gauge stainless steel sink bowl has a long life span and is dent resistant, even under heavy use.
- Our new, more robust Perlick Quick Clamp leg attachment still features easy tool-less installation, when legs are used.

Additional Features:

- All stainless steel construction.
- Optional Perlick Flex Mount leg relocation kit moves rear legs forward for additional space behind the equipment or moves forward legs rearward to help avoid pesky floor drains, available on TSF/TSS units.
- Stainless steel legs with adjustable thermoplastic feet install without tools for freestanding applications.
- Optional NSF-listed commercial-grade hot/cold water faucet stands up to years of use and can be easily serviced from the front.
- Optional side splashes.

Form No. Z2825
 Rev. 12 06 23



TOP SHELF PASS THROUGH STATION BLENDER STATION
TSS Series - 12" & 18"W x 24"D

MODEL NUMBERS - TSS12BS, TSS12DS, TSS18BS

| MODEL NOS. | | TSS12BS | TSS18BS | TSS12DS |
|----------------------------|------------------|---|--|--|
| DIMENSIONS: EXTERIOR | Width In. (mm) | 12" (305) | 18" (457) | 12" (305) |
| | Depth In. (mm) | 24" (609) | | 18-9/16" (471) |
| | Weight lbs. (kg) | 45 (20) | 60 (27) | 40 (18) |
| PERLICK BAR EQUIPMENT | Top & Shelf | Stainless steel. Shelf includes access hole for plug-in cord. | | |
| | Front & Back | Stainless steel | | |
| | Backsplash | No backsplash on TSS equipment. Requires bridge unit of TSSxxBU where xx is width. | | |
| | Legs | 1-5/8" tubular, stainless steel with 1" adjustable thermoplastic foot. | | |
| | Bowl | Drawn, 18 gauge stainless steel. All horizontal and vertical edges 1-1/2" radius with balled corners. Furnished with 1-1/2" stainless steel drain socket. 10-5/8" x 9-5/8" x 6" deep. | Drawn, 18 gauge stainless steel. All horizontal and vertical edges 1-1/2" radius with balled corners. Furnished with 1-1/2" stainless steel drain socket. 10" x 14" x 9-1/4" deep. | Drawn, 18 gauge stainless steel. All horizontal and vertical edges 1-1/2" radius with balled corners. Furnished with 1-1/2" stainless steel drain socket. 10" x 14" x 9-1/4" deep. |
| | Water Faucet | Chrome plated, hot and cold, goose-neck faucet. Heavy-duty all brass construction. Faucets must be ordered separately. | | |
| PLUMBING | Drain Connection | 1-1/2" NPS Male | | |
| | Water Connection | 1/2" IPS shanks and nuts. 18" braided water supply lines. | | |
| ELECTRIC | Outlet | Junction box included and installed. Duplex outlet not included. | | |
| ACCESSORIES (PARTIAL LIST) | | Wrist blades, touchless faucet, splash guards, Perlick Flex Mount leg relocation kit (TSF Series) | | |

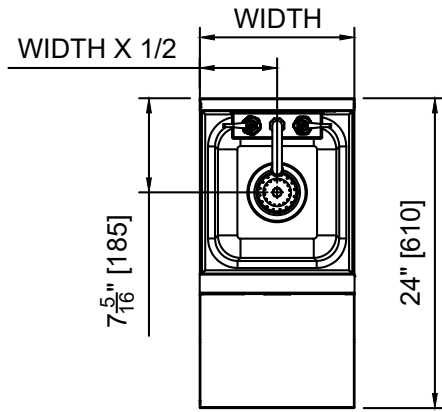
Shown with optional faucet. Must be ordered separately.

Form No. Z2825
Rev. 12 06 23

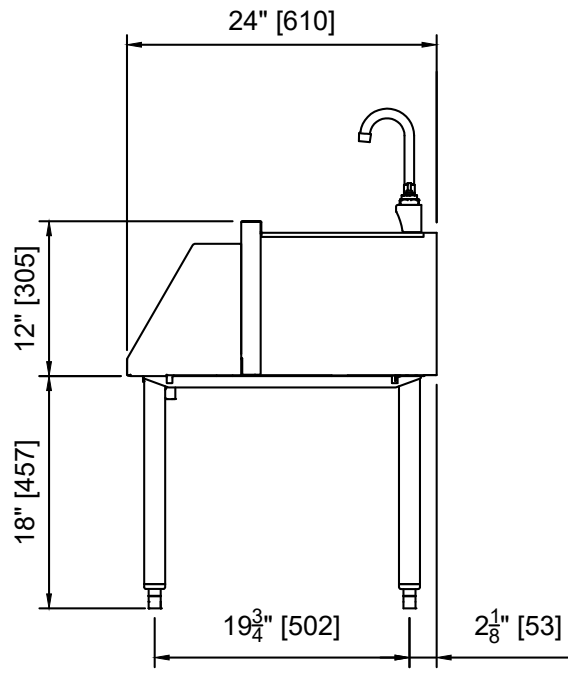
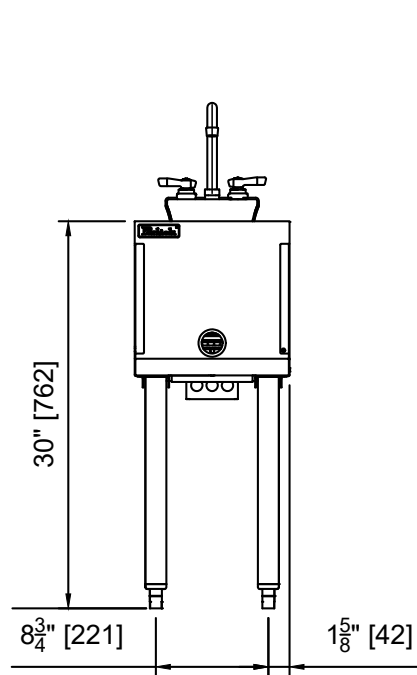


TOP SHELF PASS THROUGH STATION BLENDER STATION
TSS Series - 12" & 18"W x 17-9/16"D

MODEL NUMBERS - TSS12BS, TSS18BS



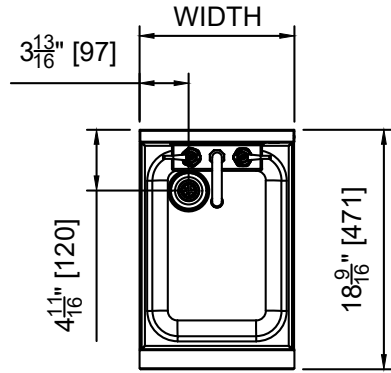
TSS12BS



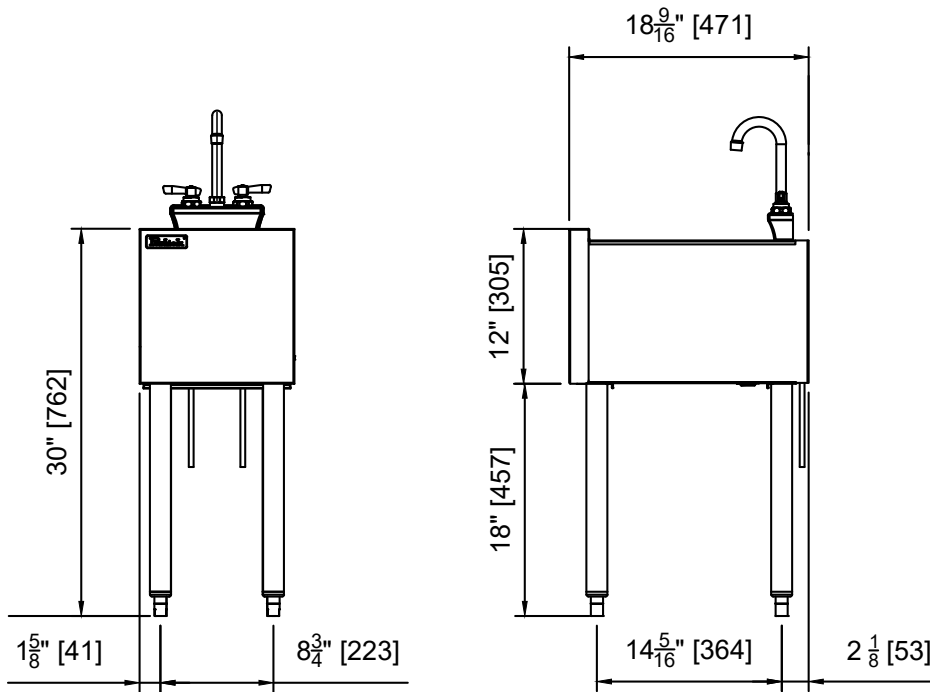
*Faucet shown for clarity; **must be ordered separately**



TOP SHELF PASS THROUGH STATION BLENDER STATION
TSS Series - 12" & 18"W x 17-9/16"D



TSS12DS



*Faucet shown for clarity; **must be ordered separately**