

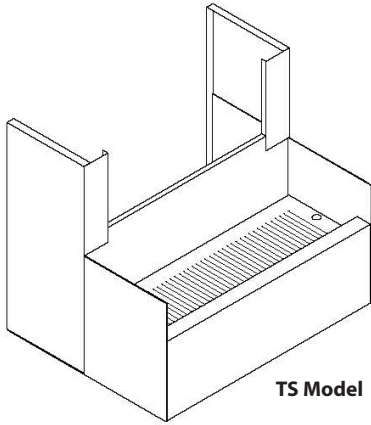


UNDERBAR BEER DRAINERS
TS & TSD Series

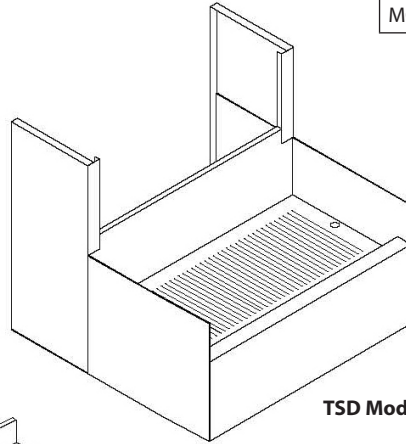
MODEL NUMBERS - 7055A8, 7055A9, 7055D8, 7055D9



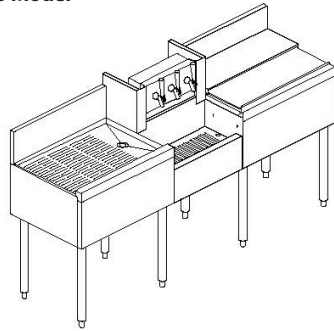
JOB	
AREA	
ITEM NO.	
MODEL NO.	



TS Model



TSD Model



MODELS	
TS Model	TSD Model
7055A8	7055D8
7055A9	7055D9

KEY PRODUCT FEATURES AND BENEFITS

- Rear tubing chase notch allows beverage tower to be installed prior to beer drainer
- Removable insert for easy cleaning
- Designed with a cover to hide the beer lines and creates a clean look with the tower once its installed
- Designed to work seamlessly with the undercounter space saver towers 2 thru 7 faucets available

Quick Features:

- Lowered work surface provides space below the tower faucets to fill glasses and pitchers
- All stainless construction for improved corrosion resistance
- Space is provided for beverage lines to connect with the tower without interference

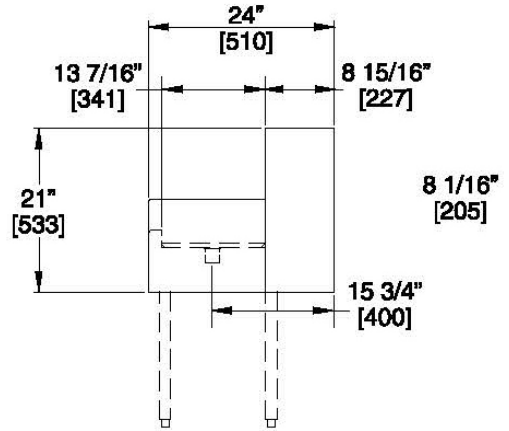
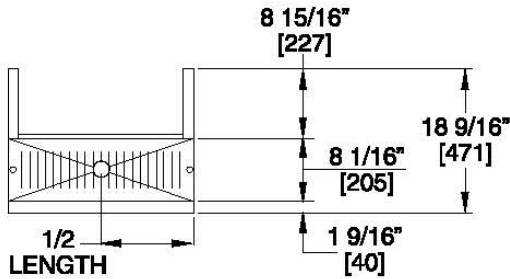


UNDERBAR BEER DRAINERS
TS & TSD Series

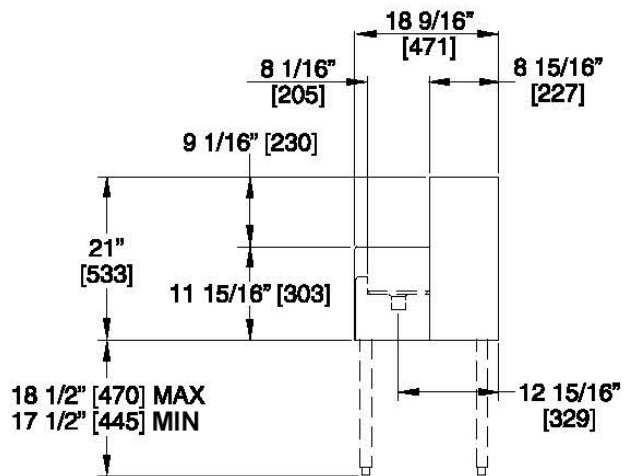
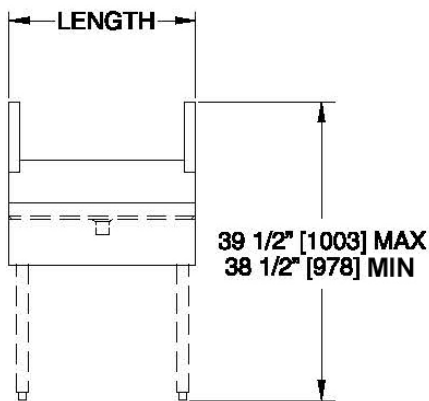
MODEL NUMBERS - 7055A8, 7055A9, 7055D8, 7055D9

MODEL NOS.		7055A8	7055A9	7055D8	7055D9
DIMENSIONS: EXTERIOR (mm)	Length	18-9/16" (471)		24" (610)	
	Width	18" (457)	24" (610)	18" (457)	24" (610)
	Ship Weight lbs. (kg)	30 (14)		40 (18)	
GENERAL PARTS	General Parts	Stainless steel			
	Legs (Optional)	Stainless steel			
PLUMBING	Drain Connection	1-1/2" NPS Male			
DISPENSING HEAD*	Spacesaver Series	4040A	4060A	4040A	4060A

*Note: Dispensing tower sold separately.



TSD END VIEW



TS END VIEW