



ICE CHESTS
TSD Series Ice Chests



Shown with optional soda gun chimney chase (not included).



TSD24IC

JOB	
AREA	
ITEM NO.	
MODEL NO.	

MODELS	
Cold Plate	Non-Cold Plate
	TSD18IC
TSD24IC10	TSD24IC
TSD30IC10	TSD30IC
TSD36IC10	TSD36IC
TSD42IC10	TSD42IC
TSD48IC10	TSD48IC

KEY PRODUCT FEATURES AND BENEFITS

- All stainless for durable easy to clean surfaces
- Fully insulated to reduce ice melt in warm climates
- Highly efficient cold plates instantly chill your soft drinks to the correct temperature
- Eco-friendly foam insulation is efficient and has zero impact on global warming or ozone depletion
- Stainless steel legs with adjustable thermoplastic feet are strong and install easily without tools
- Available with or without a cold plate to suit your bartender's needs

Quick Features:

- Fully insulated with highly efficient eco-friendly polyurethane foam
- Assembled with stainless steel to maximize the lifespan
- Boldly innovative cold plate design increases thermo efficiency to instantly chill your soft drink to the right temperature
- Built in rear deck for extra storage space

MODEL NUMBERS - TSD24IC10, TSD30IC10, TSD36IC10, TSD42IC10, TSD48IC10, TSD18IC, TSD24IC, TSD30IC, TSD36IC, TSD42IC, TSD48IC



ICE CHESTS
TSD Series Ice Chests

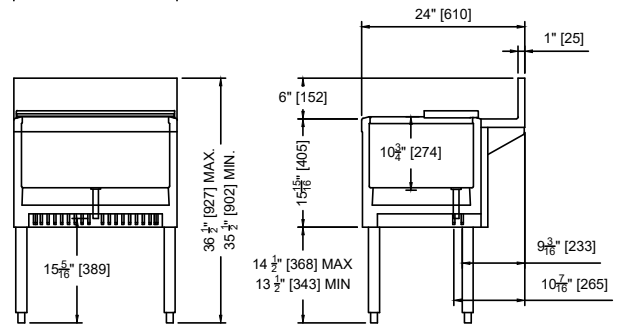
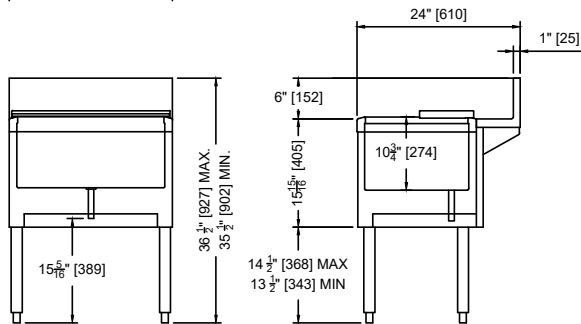
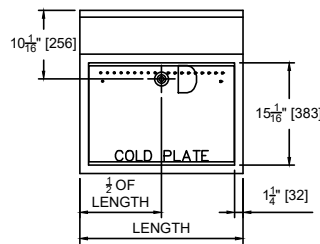
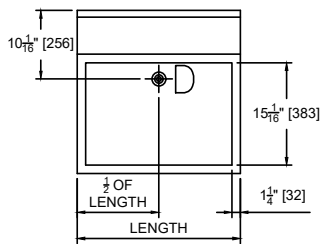
MODEL NUMBERS - TSD24IC10, TSD30IC10, TSD36IC10, TSD42IC10, TSD48IC10, TSD18IC, TSD24IC, TSD30IC, TSD36IC, TSD42IC, TSD48IC

MODEL NOS.							
MODEL TYPE:	Cold Plate Models	NA	TSD24IC10	TSD30IC10	TSD36IC10	TSD42IC10	TSD48IC10
	Non-Cold Plate Models	TSD18IC	TSD24IC	TSD30IC	TSD36IC	TSD42IC	TSD48IC
DIMENSIONS: EXTERIOR (mm)	Length, Inches (mm)	18 (457)	24 (610)	30 (762)	36 (914)	42 (1067)	48 (1219)
	Ice Capacity, lbs. (kg)	60 (27.2)	80 (36.3)	100 (45.4)	125 (56.7)	145 (65.8)	165 (74.8)
	Ship Weight with cold plate lb/kg	NA	82 (37.4)	88 (40)	94 (42.7)	101 (45.8)	106 (48.2)
	Ship Weight without cold plate lb/kg	30 (13.4)	36 (16.2)	40 (18.3)	47 (21.5)	53 (24)	59 (26.6)
MATERIALS	Front & Sides	Stainless Steel					
	Backsplash	Stainless steel, 6" high, (4" optional), with 1" return at top, mechanically fastened and sealed to ice chest top with steel support brackets					
	Back & Bottom	Galvanized steel					
	Interior	Stainless steel with 1/4" Radius corners, welded, polished, and sealed with non-exposed cold plate. Interiors can be divided with accessory freestanding ice bin dividers.					
	Insulation	Eco-friendly foamed-in-place polyurethane					
	Legs	1-5/8" tubular, stainless steel with 1" adjustable thermoplastic foot					
	Top Rim	ABS					
MECHANICALS	Plumbing	Drain connection- 1-1/2" NPS male					
	Cold Plate	Cast aluminum plate concealed under ice chest liner. Cold plate has 2 full-length circuits and 8 half length circuits. Connections - 5/16" O.D. stainless steel tubing with swaged end to accept standard 1/4" I.D. beverage tubing					
OPERATING SPECIFICATIONS	Cold Plate	Each full circuit will deliver four 6 oz. drinks per minute at 40° continuously, or 40 oz. every three minutes in a single draw (flow rate 2 oz./sec, 75° product)					
MISCELLANEOUS	Accessories (Ordered separately)	Covers, ice bin dividers, condiment trays with cups, speed rails, blender shelves, bottle opener, towel rings, side splashes, soda gun filler section					

Note: Covers not included.

TSD SERIES
Without Cold Plate

TSD SERIES
With Cold Plate



Form No. Z2812
Rev 03.25.22