

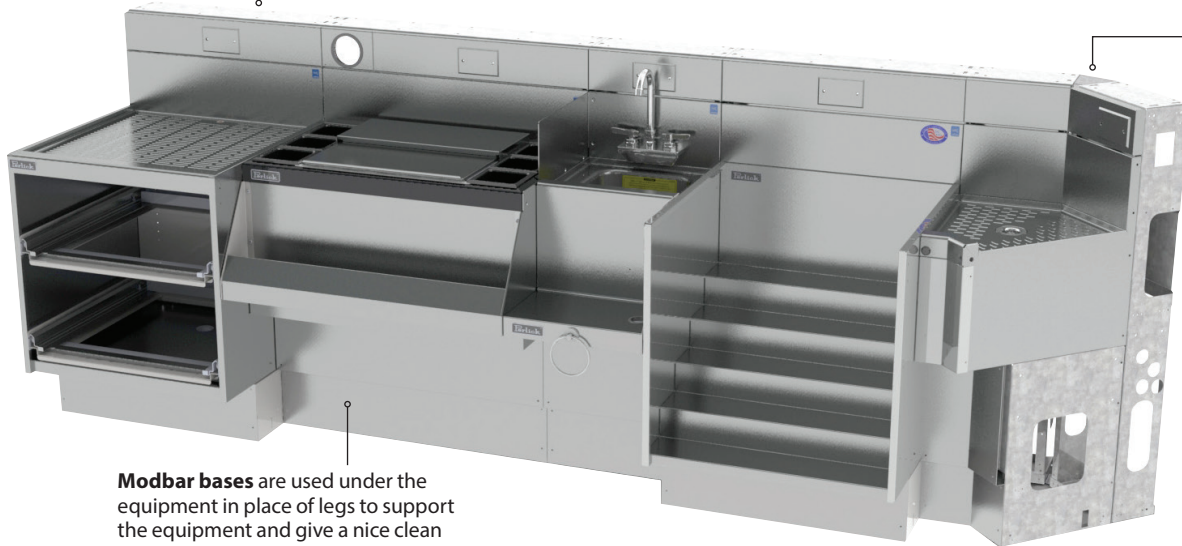


**MODULAR BAR SYSTEM**

JOB	
AREA	
ITEM NO.	
MODEL NO.	

MODELS	
Void Sections	MBVXX
Angle Sections	MBV TSXXF-I

**Modbar** is a term for factory built walls that come attached to equipment, making installation incredibly easy



**Modbar Angle Fillers** are sections of wall that create an angle in the die wall. Angles are available in 5° increments from 5°- 30° then 15° increments from 30°- 90°.

**Modbar bases** are used under the equipment in place of legs to support the equipment and give a nice clean look to the bar

**KEY PRODUCT FEATURES AND BENEFITS**

- The Perlick modular bar system is especially recommended in a new construction project or total renovation of an existing bar (*If you are starting without walls, we'll provide the wall for you attached right to the equipment*)
- Modular bar sections ship in sections of 8 ½ feet maximum and can be attached together quickly and easily
- All the holes and chase ways are provided for ease of electrical and plumbing utility hook ups
- Straight and angle pieces are available to fit the shape of your bar
- Perlick engineered to your exact dimensions
- Millwork panels and bar top can be prefabricated to save time during installation
- Modular bar drawings are done at the factory to ensure a perfect fitment in the field
- Perlick offers mylar templates so you can test fit the design before installation, and to ensure plumbing lines are in the correct spots in the floor
- Bartenders love it because it looks cleaner, more efficient, easier to maintain, and has a great aesthetic
- Lots of accessories are available to enhance the functionality of you modular bar die, such as lighting, outlets, and true to size floor templates for easy routing of utility lines

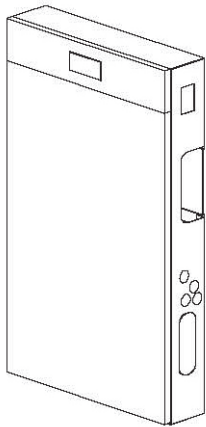
**Quick Features:**

- Ship preassembled for easy install without the mess
- Predrilled holes for electrical, plumbing, beer, and soda lines cuts down install time and labor while ensuring a sleek stainless steel finish
- The bartender side has stainless steel panels that can be sealed to the floor to prevent debris from building up under the equipment

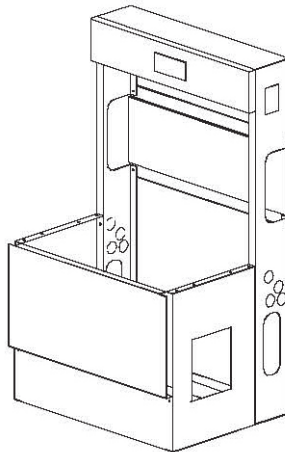


## MODULAR BAR SYSTEM

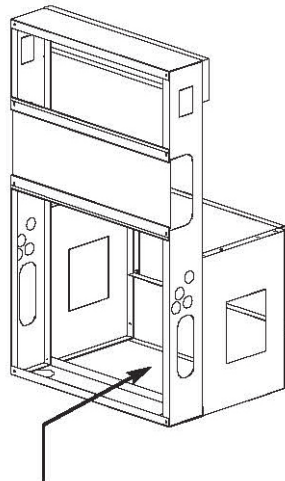
MODEL NOS.	MBVXX	MBV TSXXF-I
<b>DIMENSIONS: EXTERIOR (mm)</b>	Length	1" increments from 4" to 48"
	Width	6" overall width (5" Steel wall studs plus 1" finish panel)
	Height	40 3/8" overall height
<b>GENERAL</b>	Structure	Configured to the exact size and shape of underbar equipment, freestanding cabinets and openings, as specified.
	Chase	An 8" x 3-1/2" beverage line chase runs the entire length of structure to include corners.
	Millwork	By others
<b>MECHANICAL</b>	Utility Lines	Dedicated chase locations for hot/cold water supply lines, beverage line conduits, and electrical conduit (accessible from customer's side of the bar.) This chase is accessible from the floor and runs the entire length of the bar.
	Floor Drains	Locate floor drains directly below workboard equipment. The number of floor drains will vary depending on the bar layout and local codes.
<b>UTILITY</b>	Utilities	A five inch (5") bar die behind the equipment, provides room for trunk lines, soda lines, plumbing, electrical, etc. to travel vertically or horizontally within the bar structure. Connections can be made from the front of the bar when panels are removed.
	Plumbing & Electrical	All water service and waste connections can be made from the customer's side of the bar (decorative front panel removed). Local codes dictate installation (by others). All electrical requirements such as receptacle to blenders, washers, coolers, soda guns, lights, etc. are by others. Plug-in fluorescent lighting is optional. <b>Note: All Plumbing and Electrical must be installed in compliance with local codes.</b>
	Electrical Cutouts	Electrical cutouts with solid cover included in top filler strip of each section. One cutout included in sections up to 30". Sections over 30" include two cutouts.
<b>MODULAR DESCRIPTION</b>	Cabinet Base	Cabinet-style bases are used for underbar equipment which is typically mounted on 6" legs. It is not advisable to locate stub-ups under cabinet bases.
	Pedestal Base	Pedestal bases are used for equipment which is normally mounted on 18" legs. <b>Note: Plumbing and Electrical stub-ups should be located underneath pedestal bases.</b>
	Flat Wall (Voids)	Flat walls are placed in sections where free-standing equipment will be located or to create an open space.



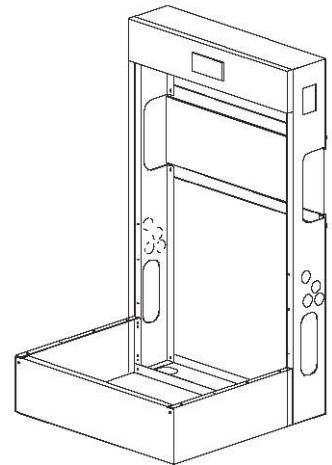
**FLAT WALL**  
(Voids)



**PEDESTAL BASE**

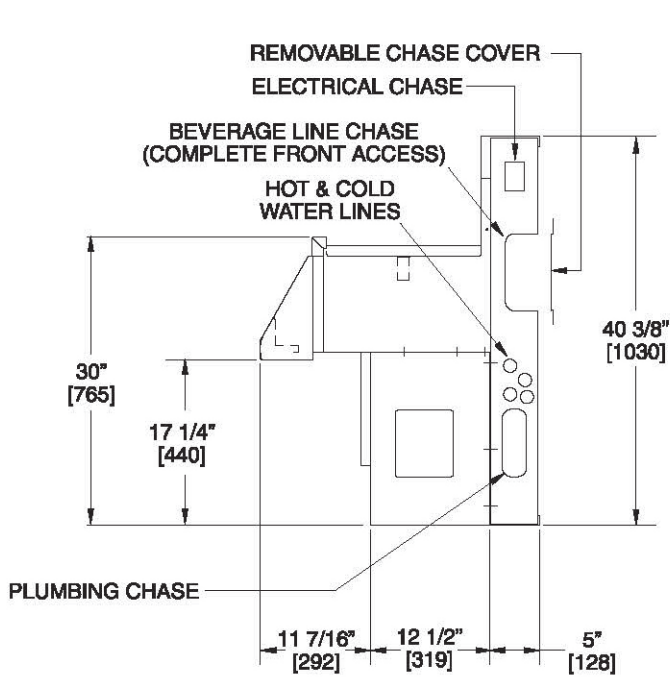


**STUB-UP LOCATION  
IN PEDESTAL BASE**

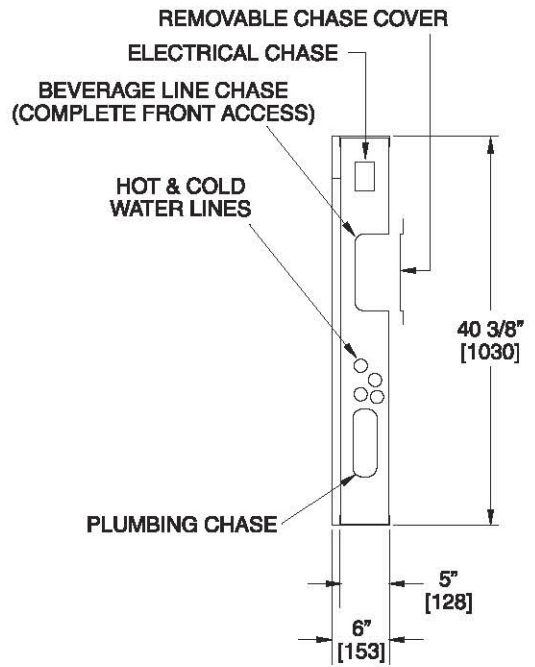


**CABINET BASE**

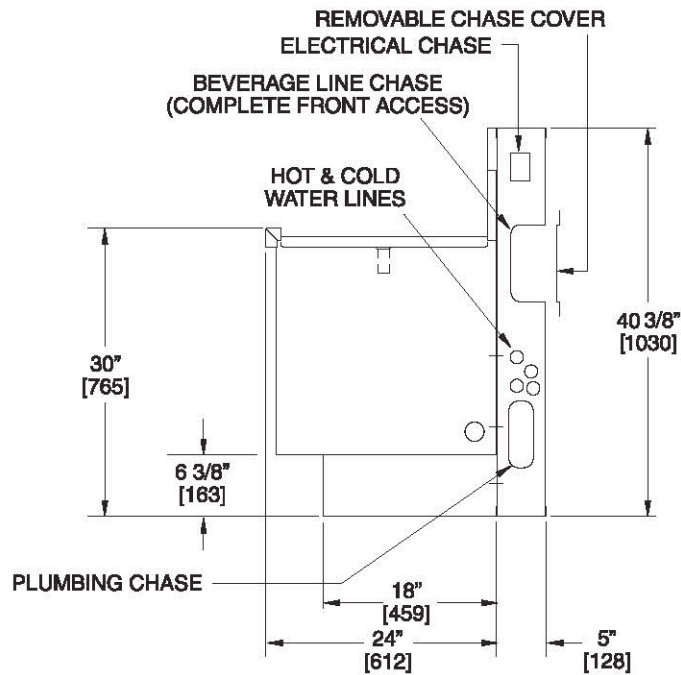
**Perlick® MODULAR BAR SYSTEM**



**PEDESTAL BASE END VIEW**



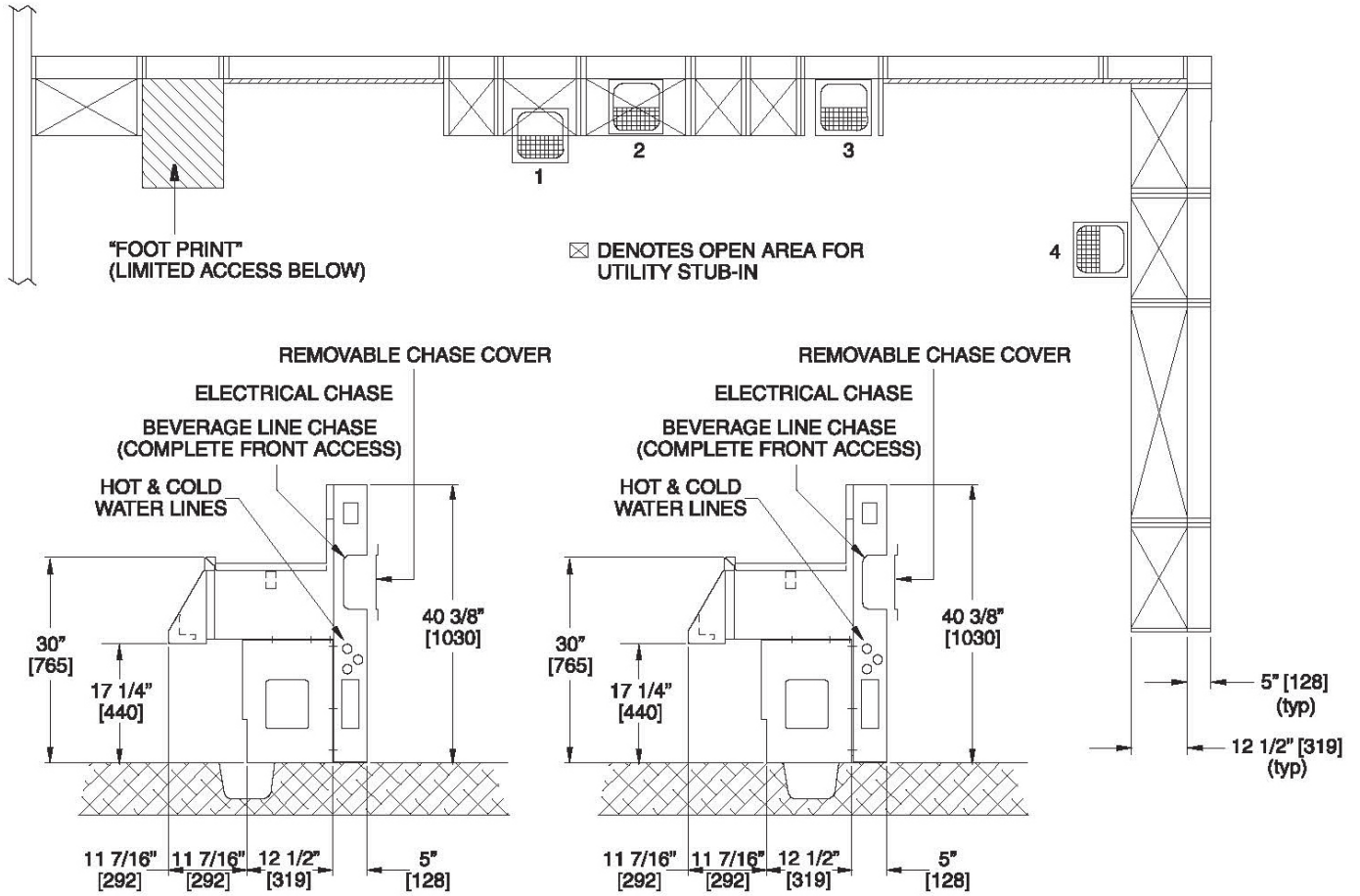
**FLAT WALL END VIEW**



**CABINET BASE END VIEW**

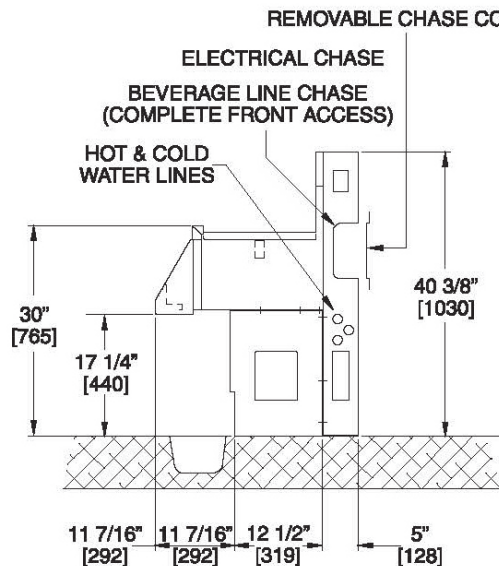
**Perlick® MODULAR BAR SYSTEM**

**Floor Sink Location Specifications**



**ILLUSTRATION 1**

**ILLUSTRATION 2 & 3**



**ILLUSTRATION 4**

**Floor Sink Location Must Comply with Local Codes**