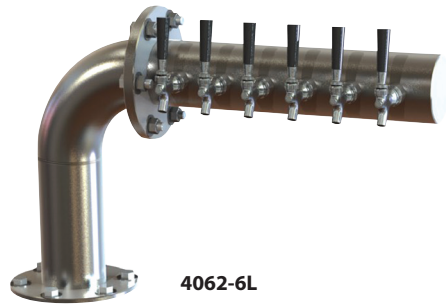
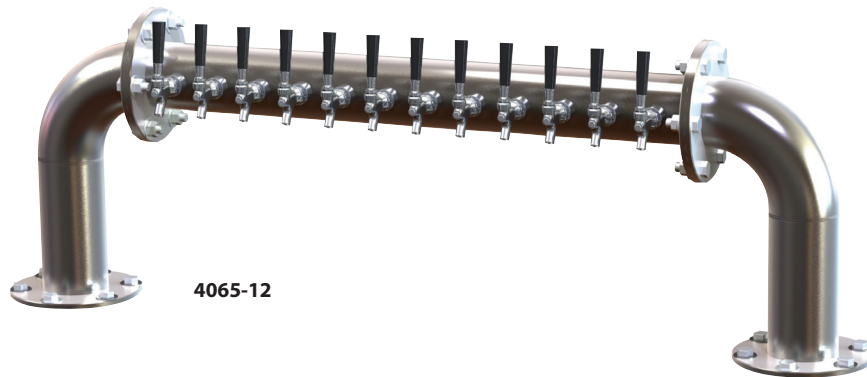




**BREW PIPE TOWERS**  
"L" And Pass-Thru



4062-6L



4065-12

JOB
AREA
ITEM NO.
MODEL NO.

Models	
"L" Brew Pipe Towers	
BPL-6L	BPL-6R
BPL-8L	BPL-8R
BPL-10L	BPL-10R
Pass-Thru Brew Pipe Towers	
BP-6L	BP-6R
BP-8L	BP-8R
BP-10L	BP-10R
	BP-12LR
	BP-16LR
	BP-20LR

**KEY PRODUCT FEATURES AND BENEFITS**

- Robust pipes and flanges are durable and offer an industrial feel that makes a statement in the space
- Solid metal construction with brushed stainless pipe to withstand years of use
- Pure copper coolant lines and cold block maintain chilled beverage temperature
- Insulated dispensing head ensures a perfect temperature right up to the faucet

**ACCESSORIES**

MODEL NOS.	DESCRIPTION
630SS	Stainless Steel Forward Sealing Faucet
650SS	Stainless Steel Forward Sealing Faucet w/ Flow Control
680SS	Stainless Steel Faucet with Push-back Creamer
690SS	Stainless Steel Flow Control Faucet with Push-back Creamer
63927	Stout and Ale faucet - Stainless steel body and spout
308-40C	Beer faucet lock for 630 Series Faucets
67141	Perlick Pub handle - 7-1/2" wooden handle

\* Faucets sold separately

Form No. Z2720  
Rev. 04.05.2022

MODEL NUMBERS - BPL-6L, BPL-6R, BPL-8L, BPL-8R, BPL-10L, BPL-10R, BP-6L, BP-6R, BP-8L, BP-8R, BP-10L, BP-10R, BP-12LR, BP-16LR, BP-20LR



**BREW PIPE TOWERS**  
“L” And Pass-Thru

MODEL NUMBERS - BPL-6L, BPL-6R, BPL-8L, BPL-8R, BPL-10L, BPL-10R, BP-6L, BP-6R, BP-8L, BP-8R, BP-10L, BP-10R, BP-12LR, BP-16LR, BP-20LR

**“L” BREW PIPE TOWER**

NUMBER OF FAUCETS		6	8	10
MODEL NUMBERS	Left Mount	BPL-6L	BPL-8L	BPL-10L
	Right Mount	BPL-6R	BPL-8R	BPL-10R
“A”, LENGTH (MM)		28-3/4” (730)	34-11/16” (881)	40-5/8” (1032)
“B”, HEIGHT (MM)		17-3/4” (451)	17-3/4” (451)	17-3/4” (451)
FAUCET CENTERS (MM)		3” (76)	3” (76)	3” (76)
MATERIAL AND FINISH		4” Schedule 5 Stainless Steel Pipe, Matte Finish		
SHIPPING WEIGHT, LBS. (KG)		80 (36)	95.5 (43)	111.5 (50)
OPTIONAL DRIP PAN		C18750-21	C18750-27	C18750-33

**PASS-THRU BREW PIPE TOWER**

NUMBER OF FAUCETS		6	8	10	12	16	20	
MODEL NUMBERS	Beer Leads Left	BP-6L	BP-8L	BP-10L	-	-	-	
	Beer Leads Right	BP-6R	BP-8R	BP-10R	-	-	-	
	Beer Leads Left and Right	-	-	-	BP-12LR	BP-16LR	BP-20LR	
“A”, LENGTH (MM)		37-9/16” (954)	43-5/8” (1108)	49-9/16” (1259)	55-1/2” (1410)	67-1/2” (1715)	79-3/8” (2016)	
“B”, STANDARD HEIGHT (MM)		12-15/16” (329)	12-15/16” (329)	12-15/16” (329)	12-15/16” (329)	12-15/16” (329)	12-15/16” (329)	
“C”, CENTER TO CENTER (MM)		33-1/8” (843)	39-1/8” (994)	45-1/8” (1146)	51-1/8” (1298)	63” (1600)	74-7/8” (1902)	
FAUCET CENTERS (MM)		3” (76)	3” (76)	3” (76)	3” (76)	3” (76)	3” (76)	
MATERIAL AND FINISH		4” Schedule 5 Stainless Steel Pipe, Matte Finish						
SHIPPING WEIGHT, LBS. (KG)		101 (45)	107 (48)	133 (60)	149.5 (67)	183 (83)	216 (97)	
OPTIONAL DRIP PAN		C18750-21	C18750-27	C18750-33	C18750-39	C18750-51	C18750-63	



**BREW PIPE TOWERS**  
"L" And Pass-Thru

MODEL NUMBERS - BPL-6L, BPL-6R, BPL-8L, BPL-8R, BPL-10L, BPL-10R, BP-6L, BP-6R, BP-8L, BP-8R, BP-10L, BP-10R, BP-12LR, BP-16LR, BP-20LR

