



**15" SIGNATURE SERIES**  
*Beverage Center*



**eco friendly**  
R600a Refrigerant



|           |  |
|-----------|--|
| JOB       |  |
| AREA      |  |
| ITEM NO.  |  |
| MODEL NO. |  |



**Solid Door Model**



**Glass Door Model**

| MODELS               | DESCRIPTION   |
|----------------------|---|
| <b>HP15BS-4-1R/L</b> | Indoor Signature Series Beverage Center Solid Stainless Steel Door  |
| <b>HP15BS-4-2R/L</b> | Indoor Signature Series Beverage Center Solid Panel Ready Door      |
| <b>HP15BS-4-3R/L</b> | Indoor Signature Series Beverage Center Stainless Steel Glass Door  |
| <b>HP15BS-4-4R/L</b> | Indoor Signature Series Beverage Center Panel Ready Glass Door      |
| <b>HP15BO-4-1R/L</b> | Outdoor Signature Series Beverage Center Solid Stainless Steel Door |
| <b>HP15BO-4-2R/L</b> | Outdoor Signature Series Beverage Center Solid Panel Ready Door     |
| <b>HP15BO-4-3R/L</b> | Outdoor Signature Series Beverage Center Stainless Steel Glass Door |
| <b>HP15BO-4-4R/L</b> | Outdoor Signature Series Beverage Center Panel Ready Glass Door     |
| <b>HP15BM-4-1R/L</b> | Marine Signature Series Beverage Center Solid Stainless Steel Door  |
| <b>HP15BM-4-2R/L</b> | Marine Signature Series Beverage Center Solid Panel Ready Door      |
| <b>HP15BM-4-3R/L</b> | Marine Signature Series Beverage Center Stainless Steel Glass Door  |
| <b>HP15BM-4-4R/L</b> | Marine Signature Series Beverage Center Panel Ready Glass Door      |

**KEY PRODUCT FEATURES AND BENEFITS**

- 1000 BTU/hr capacity delivers industry's most energy efficient cool down, indoors or outdoors
- Up to 70% faster cooling speeds than leading competitor
- Variable speed compressor minimizes sound; up to 30% quieter than competitors
- Commercial-grade all stainless steel interior and exterior provide superior durability and easy cleaning
- Perlick Anti-Condensation System™ eliminates condensation from forming on the cabinet (Outdoor and Marine models only)
- Marine & Coastal Grade with Perlick Armor™ upgrades stainless steel, fasteners, and refrigeration system to the highest blend of corrosion resistance and food safety

**Quick Features:**

- Wine and refrigerator shelves fully extend on vibration dampened, stainless steel ball-bearing glides; stainless steel wine shelves will not absorb odors over time
- Industry's best full 6 year warranty for owner ease of mind
- Available with stainless steel or panel ready doors to match your design style
- Audible door alarm warns user if door is held open
- Selectable blue or white LED lighting
- R600a Natural Refrigerant offers maximum energy efficiency with zero ozone depletion potential
- Storage for up to 30 cans and 8 bottles of wine



**15" SIGNATURE SERIES**  
*Beverage Center*

| MODEL NUMBERS                    |                             | HP15BS   | HP15BO   | HP15BM   |
|----------------------------------|-----------------------------|--|--|--|
| MODEL DESCRIPTION                |                             | 15" Indoor Beverage Center                                     | 15" Outdoor Beverage Center                                    | 15" Marine/Coastal Beverage Center                             |
| ATTRIBUTES                       |                             |  |  |  |
| Perlick Anti-Condensation System |                             | NO   | YES  | YES  |
| Perlick Armor™                   |                             | NO   | NO   | YES  |
| OVERALL DIMENSIONS               | Width - in. (mm)            | 14-7/8" (378 mm.)  | 14-7/8" (378 mm.)  | 14-7/8" (378 mm.)  |
|                                  | Depth - in. (mm)            | 24" (610 mm.)  | 24" (610 mm.)  | 24" (610 mm.)  |
|                                  | Height - in. (mm)           | 34-1/4" (870 mm.)  | 34-1/4" (870 mm.)  | 34-1/4" (870 mm.)  |
| STANDARD OPENING DIMENSIONS      | Width - in. (mm)            | 15" (381 mm.)  | 15" (381 mm.)  | 15" (381 mm.)  |
|                                  | Depth - in. (mm)            | 24-7/8" (632 mm.)  | 24-7/8" (632 mm.)  | 24-7/8" (632 mm.)  |
|                                  | Height - in. (mm)           | 34-1/2" (876 mm.)  | 34-1/2" (876 mm.)  | 34-1/2" (876 mm.)  |
| INTERNAL VOLUME Net. Cu. Ft.     |                             | 2.8 cu. ft.  | 2.8 cu. ft.  | 2.8 cu. ft.  |
| SHIPPING WEIGHT Lbs. (kg.)       |                             | 150 lbs (68.04 kg)   | 150 lbs (68.04 kg)   | 150 lbs (68.04 kg)   |
| ELECTRICAL SPECIFICATIONS        | Electrical Supply           | 115 VAC/60 Hz/1 Ph   | 115 VAC/60 Hz/1 Ph   | 115 VAC/60 Hz/1 Ph   |
|                                  | Running Load Amps           | 1.7 amps   | 1.7 amps   | 1.7 amps   |
|                                  | Electrical Connection       | Cord connected   | Cord connected   | Cord connected   |
|                                  | Cord Plug Type              | NEMA 3 Prong 5-15P   | NEMA 3 Prong 5-15P   | NEMA 3 Prong 5-15P   |
|                                  | Cord Length                 | 6'   | 6'   | 6'   |
|                                  | Defrost Initiation          | Automatic  | Automatic  | Automatic  |
|                                  | Defrost Type                | Off cycle  | Off cycle  | Off cycle  |
|                                  | Thermostat                  | Digital  | Digital  | Digital  |
|                                  | Lighting Type               | LED  | LED  | LED  |
| REFRIGERATION SPECIFICATIONS     | Refrigerant                 | R600a (44)   | R600a (44)   | R600a (44)   |
|                                  | Expansion Device            | Capillary Tube   | Capillary Tube   | Capillary Tube   |
|                                  | Temperature Settings F°(C°) | 33° (0.5°) - 48° (8.8°)<br><b>Factory Set Point 36° (2.2°)</b> | 33° (0.5°) - 48° (8.8°)<br><b>Factory Set Point 36° (2.2°)</b> | 33° (0.5°) - 48° (8.8°)<br><b>Factory Set Point 36° (2.2°)</b> |
|                                  | Heat Rejection (at 75°F)    | 300 BTU/hr   | 300 BTU/hr   | 300 BTU/hr   |
|                                  | Pull Down Capacity          | 1000 BTU/hr  | 1000 BTU/hr  | 1000 BTU/hr  |
|                                  | Front Vented                | Yes  | Yes  | Yes  |
| PLUMBING                         |                             | None Required  | None Required  | None Required  |

*Installation Notes: To achieve 24" install depth, place electrical connection adjacent to the installation cavity.*

**ACCESSORIES**

| MODEL NOS. | DESCRIPTION                        |
|------------|------------------------------------|
| (L)        | Factory Installed Lock             |
| 67990-L/R  | Stacking Kit for HP15 models       |
| 66736-15   | Caster Kit for HP15 models         |
| 67115-15   | Wood Faces for Wine Shelves (5/pk) |

Perlick accessories are available for purchase through an authorized Perlick dealer. For a full list of accessories and to find a dealer near you, visit [perlick.com](http://perlick.com).

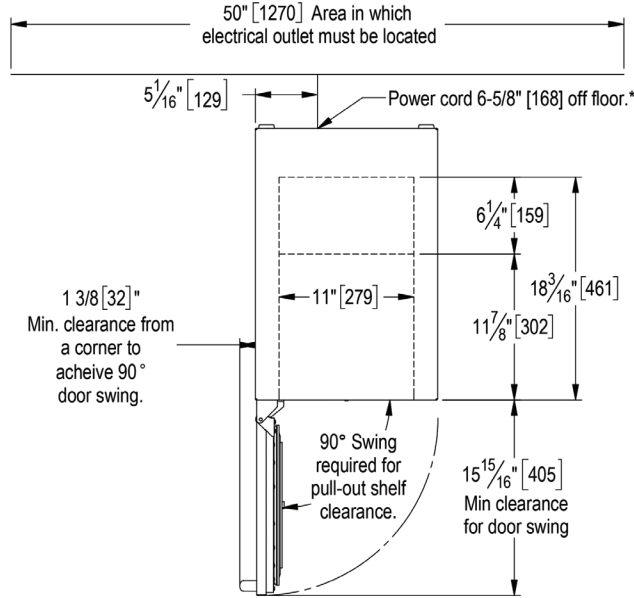


**15" SIGNATURE SERIES**  
*Beverage Center*

|                  | CUSTOMER MODEL NUMBER | REGULATORY MODEL NUMBER | Hinge Side | Lock |
|------------------|-----------------------|-------------------------|------------|------|
| INDOOR           | HP15BS-4-1L           | HP15BS4C-00-SLF0B       | Left       | No   |
|                  | HP15BS-4-1R           | HP15BS4C-00-SRF0B       | Right      | No   |
|                  | HP15BS-4-2L           | HP15BS4C-00-PL00B       | Left       | No   |
|                  | HP15BS-4-2R           | HP15BS4C-00-PR00B       | Right      | No   |
|                  | HP15BS-4-3L           | HP15BS4C-00-TLF0B       | Left       | No   |
|                  | HP15BS-4-3R           | HP15BS4C-00-TRF0B       | Right      | No   |
|                  | HP15BS-4-4L           | HP15BS4C-00-RL00B       | Left       | No   |
|                  | HP15BS-4-4R           | HP15BS4C-00-RR00B       | Right      | No   |
|                  | HP15BS-4-1LL          | HP15BS4C-00-SLFLB       | Left       | Yes  |
|                  | HP15BS-4-1RL          | HP15BS4C-00-SRFLB       | Right      | Yes  |
|                  | HP15BS-4-2LL          | HP15BS4C-00-PL0LB       | Left       | Yes  |
|                  | HP15BS-4-2RL          | HP15BS4C-00-PROLB       | Right      | Yes  |
|                  | HP15BS-4-3LL          | HP15BS4C-00-TLFLB       | Left       | Yes  |
|                  | HP15BS-4-3RL          | HP15BS4C-00-TRFLB       | Right      | Yes  |
|                  | HP15BS-4-4LL          | HP15BS4C-00-RL0LB       | Left       | Yes  |
|                  | HP15BS-4-4RL          | HP15BS4C-00-RR0LB       | Right      | Yes  |
| OUTDOOR          | HP15BO-4-1L           | HP15BO4C-00-SLF0B       | Left       | No   |
|                  | HP15BO-4-1R           | HP15BO4C-00-SRF0B       | Right      | No   |
|                  | HP15BO-4-2L           | HP15BO4C-00-PL00B       | Left       | No   |
|                  | HP15BO-4-2R           | HP15BO4C-00-PR00B       | Right      | No   |
|                  | HP15BO-4-3L           | HP15BO4C-00-TLF0B       | Left       | No   |
|                  | HP15BO-4-3R           | HP15BO4C-00-TRF0B       | Right      | No   |
|                  | HP15BO-4-4L           | HP15BO4C-00-RL00B       | Left       | No   |
|                  | HP15BO-4-4R           | HP15BO4C-00-RR00B       | Right      | No   |
|                  | HP15BO-4-1LL          | HP15BO4C-00-SLFLB       | Left       | Yes  |
|                  | HP15BO-4-1RL          | HP15BO4C-00-SRFLB       | Right      | Yes  |
|                  | HP15BO-4-2LL          | HP15BO4C-00-PL0LB       | Left       | Yes  |
|                  | HP15BO-4-2RL          | HP15BO4C-00-PROLB       | Right      | Yes  |
|                  | HP15BO-4-3LL          | HP15BO4C-00-TLFLB       | Left       | Yes  |
|                  | HP15BO-4-3RL          | HP15BO4C-00-TRFLB       | Right      | Yes  |
|                  | HP15BO-4-4LL          | HP15BO4C-00-RL0LB       | Left       | Yes  |
|                  | HP15BO-4-4RL          | HP15BO4C-00-RR0LB       | Right      | Yes  |
| MARINE & COASTAL | HP15BM-4-1L           | HP15BM4C-00-MLF0B       | Left       | No   |
|                  | HP15BM-4-1R           | HP15BM4C-00-MRF0B       | Right      | No   |
|                  | HP15BM-4-2L           | HP15BM4C-00-PL00B       | Left       | No   |
|                  | HP15BM-4-2R           | HP15BM4C-00-PR00B       | Right      | No   |
|                  | HP15BM-4-3L           | HP15BM4C-00-NLF0B       | Left       | No   |
|                  | HP15BM-4-3R           | HP15BM4C-00-NRF0B       | Right      | No   |
|                  | HP15BM-4-4L           | HP15BM4C-00-RL00B       | Left       | No   |
|                  | HP15BM-4-4R           | HP15BM4C-00-RR00B       | Right      | No   |
|                  | HP15BM-4-1LL          | HP15BM4C-00-MLFLB       | Left       | Yes  |
|                  | HP15BM-4-1RL          | HP15BM4C-00-MRFLB       | Right      | Yes  |
|                  | HP15BM-4-2LL          | HP15BM4C-00-PL0LB       | Left       | Yes  |
|                  | HP15BM-4-2RL          | HP15BM4C-00-PROLB       | Right      | Yes  |
|                  | HP15BM-4-3LL          | HP15BM4C-00-NLFLB       | Left       | Yes  |
|                  | HP15BM-4-3RL          | HP15BM4C-00-NRFLB       | Right      | Yes  |
|                  | HP15BM-4-4LL          | HP15BM4C-00-RL0LB       | Left       | Yes  |
|                  | HP15BM-4-4RL          | HP15BM4C-00-RR0LB       | Right      | Yes  |



**15" SIGNATURE SERIES**  
Beverage Center



\* - Leg leveler can add 3/4" [19] to these dimensions when fully extended.

