

Perlick PERLICK SIGNATURE MOBILE BARS
Designed by Tobin Ellis

MODEL NUMBERS - MOBS-42TE, MOBS-66TE, MOBS-66TE-S



JOB	
AREA	
ITEM NO.	
MODEL NO.	

MODELS
MOBS-42TE
MOBS-66TE
MOBS-66TE-S



MOBS-42TE



MOBS-66TE



MOBS-66TE-S

THE BARTENDER’S COCKPIT THAT CAN GO ANYWHERE

Perlick’s Signature Mobile Bars feature the Tobin Ellis zero-step bartending cockpit design that increases efficiency, maximizes drink throughput, and ensures bartender comfort. Finally, a mobile bar that doesn’t compromise speed or quality for mobility! Combine several units to build a full mobile bar surround. Perfect for rooftops, patios, sidewalk cafes, or anywhere you want more beverage production, more physical distancing, and maximum flexibility.

KEY PRODUCT FEATURES AND BENEFITS

- Tobin Ellis bartender cockpit for increased throughput, profitability, and bartender comfort
- Laminate, stainless steel, or engineered solid surface bar top options
- Laminate exterior offered in multiple colors
- Ice melt drainage tank
- Locking 5” 304 stainless steel casters, for corrosion resistance, with polyurethane tread
- Lower storage area for backup stock, bustubs, glass racks, and more
- LED bartender task lighting for operating in the evening and low light settings
- Stainless steel drink rail



PERLICK SIGNATURE MOBILE BARS
Designed by Tobin Ellis

MODEL NOS.		MOBS-42TE	MOBS-66TE	MOBS-66TE-S
DIMENSIONS: EXTERIOR (mm)	Length	46-1/4" (1175)	70-1/8" (1785)	70-1/8" (1785)
	Width	35-9/16" (903)	35-9/16" (903)	35-9/16" (903)
	Height	46-5/16" (1176)	46-5/16" (1176)	46-5/16" (1176)
	Weight (lbs)	239 lbs. (108 kg)	351 lbs. (159 kg)	380 lbs. (172 kg)
DIMENSIONS: SHIPPING (mm)	Length	60" (1524)	75" (1905)	75" (1905)
	Width	40" (1016)	40" (1016)	40" (1016)
	Height	70" (1778)	70" (1778)	70" (1778)
	Weight (lbs)	319 lbs. (145 kg)	451 lbs. (205 kg)	480 lbs. (218 kg)
PERLICK BAR EQUIPMENT	Ice Chest	TS30IC with sliding Cover	TS30IC with sliding Cover	TS30IC with sliding Cover
	Insulated Bottle Well	TSC12IBW	TSC12IBW	TSC12IBW
	Drainboard	N/A	TSCS12 (2 ea.)	TSCS12 (1 ea.)
	Hand Sink	N/A	N/A	TS12HSN with side splash
	Speed Rail	SRC-CL left curved (1 ea.) SRC-CR right curved (1 ea.) SRC-S18 18" straight (1 ea.)	SRC-CL left curved (1 ea.) SRC-CR right curved (1 ea.) SRC-S18 18" straight (1 ea.)	SRC-CL left curved (1 ea.) SRC-CR right curved (1 ea.) SRC-S18 18" straight (1 ea.)
ELECTRICAL	Voltage	120V AC	120V AC	120V AC
	Frequency	60 Hz	60 Hz	60 Hz
	Phase	Single	Single	Single
	Amperage	0.3 A	0.4 A	13.3 A
	Connection	NEMA 5-15P	NEMA 5-15P	NEMA 5-15P
	Cord Length	12ft	12ft	12ft
LED BARTENDER TASK LIGHTING	Color Temperature	4000K	4000K	4000K
	Lumen Output	800 LM	1200 LM	1200 LM
WATER HEATER	Temperature Range	N/A	N/A	50°F - 140°F (10°C - 60°C)
	Tank Volume	N/A	N/A	1.5 gal (5.7 L)
	Recovery time @ 60°^	N/A	N/A	8 minutes
WATER PUMP	Max Flow	N/A	N/A	3 GPM (11.3 LPM)
	Switch Off Pressure	N/A	N/A	45 PSI (3.1 bar)
GRAY WATER/ICE MELT TANK (PRE-PLUMBED)	Capacity	5 gal (18.9 L)	5 gal (18.9 L)	6 gal (22.7 L)
POTABLE WATER TANK (PRE-PLUMBED)	Capacity	N/A	N/A	5 gal (18.9 L)

LAMINATE EXTERIOR OPTIONS

<input type="checkbox"/> Black (BL)	<input type="checkbox"/> Pewter Brush (PB)	<input type="checkbox"/> Beige Suede (BS)	<input type="checkbox"/> Maple (MP)	<input type="checkbox"/> Red Maple (RM)	<input type="checkbox"/> Gray Sand (GS)	<input type="checkbox"/> Ebony Wood (EW)	<input type="checkbox"/> Amber Maple (AM)	<input type="checkbox"/> Mahogany (MH)	<input type="checkbox"/> Victorian Cherry (VC)

Note: Custom Vinyl wrap graphics available (Must call Perlick for quote and ordering process) - (VW)

BAR TOP OPTIONS

Standard

<input type="checkbox"/> Black (BL)	<input type="checkbox"/> Pewter Brush (PB)	<input type="checkbox"/> Beige Suede (BS)	<input type="checkbox"/> Maple (MP)	<input type="checkbox"/> Red Maple (RM)
<input type="checkbox"/> Gray Sand (GS)	<input type="checkbox"/> Ebony Wood (EW)	<input type="checkbox"/> Amber Maple (AM)	<input type="checkbox"/> Mahogany (MH)	<input type="checkbox"/> Victorian Cherry (VC)

Engineered Solid Surface

<input type="checkbox"/> White Quartz (WQ)	<input type="checkbox"/> Black Pearl (BP)
<input type="checkbox"/> Allspice Quartz (AQ)	

Stainless Steel

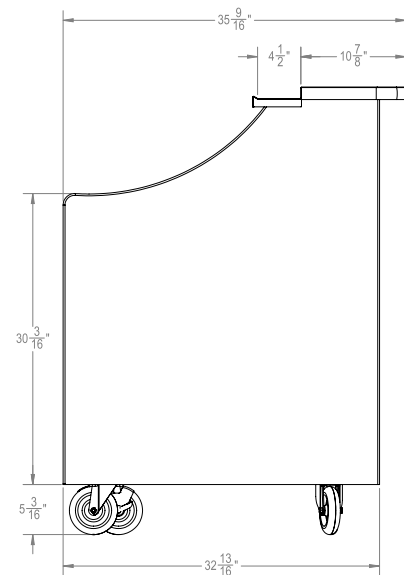
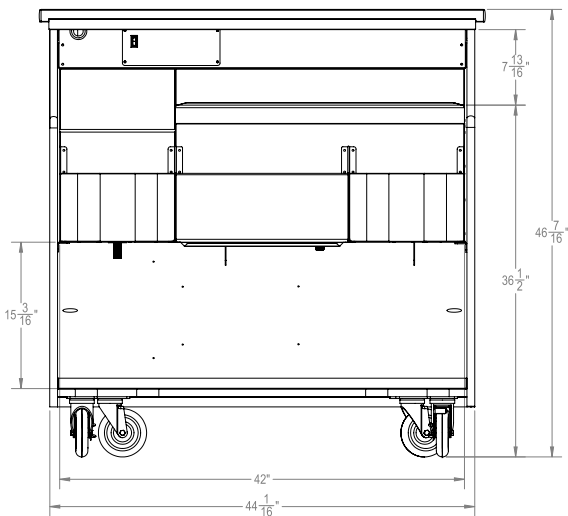
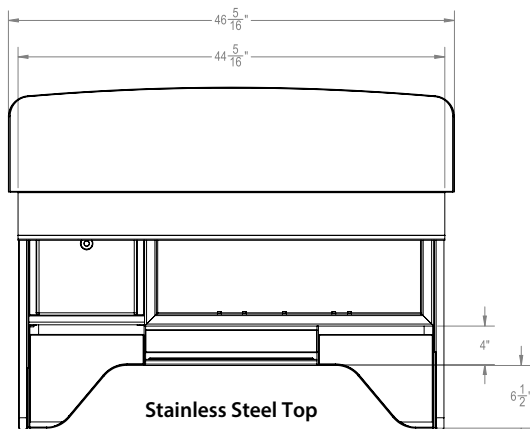
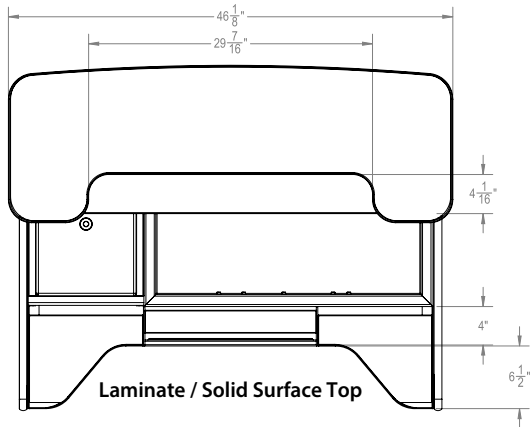
<input type="checkbox"/> Stainless Steel (SS)



PERLICK SIGNATURE MOBILE BARS
Designed by Tobin Ellis

MODEL NUMBERS - MOBS-42TE, MOBS-66TE, MOBS-66TE-S

MOBS-42TE

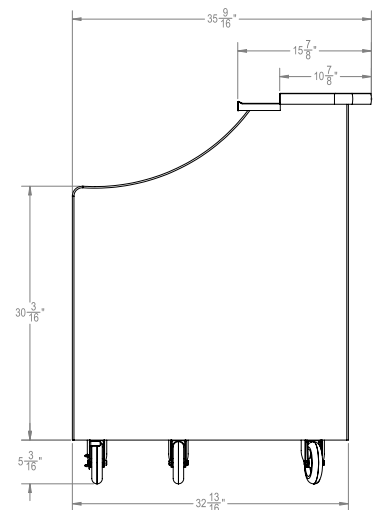
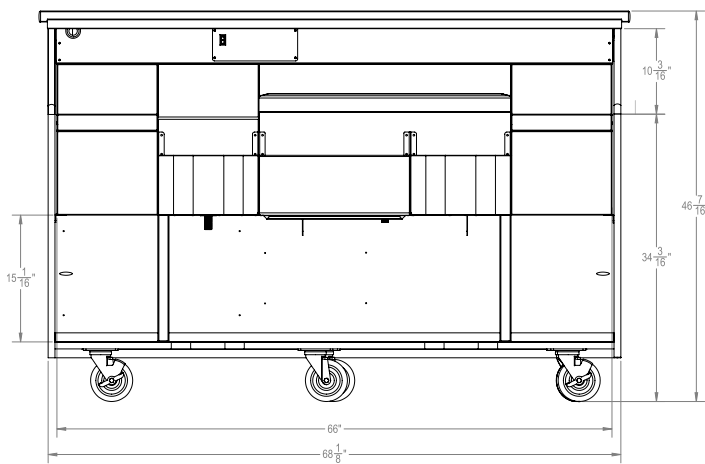
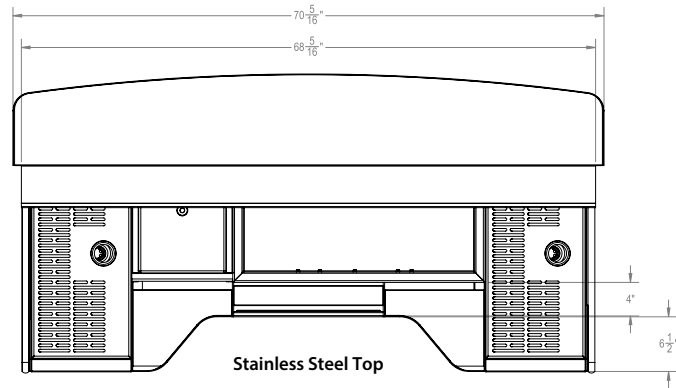
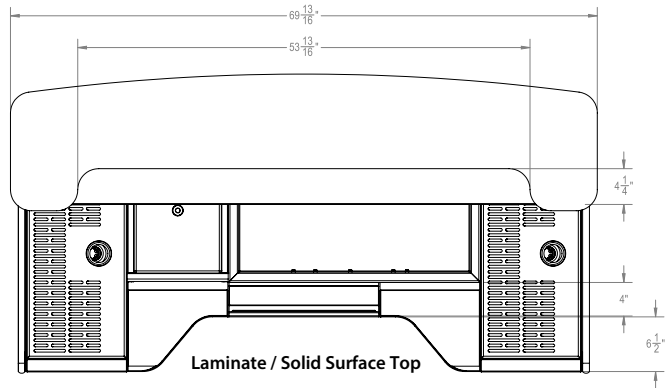




PERLICK SIGNATURE MOBILE BARS
Designed by Tobin Ellis

MODEL NUMBERS - MOBS-42TE, MOBS-66TE, MOBS-66TE-S

MOBS-66TE





PERLICK SIGNATURE MOBILE BARS
Designed by Tobin Ellis

MODEL NUMBERS - MOBS-42TE, MOBS-66TE, MOBS-66TE-S

MOBS-66TE-S

