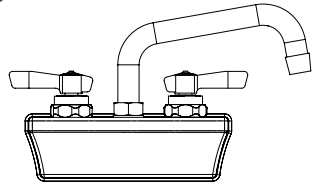
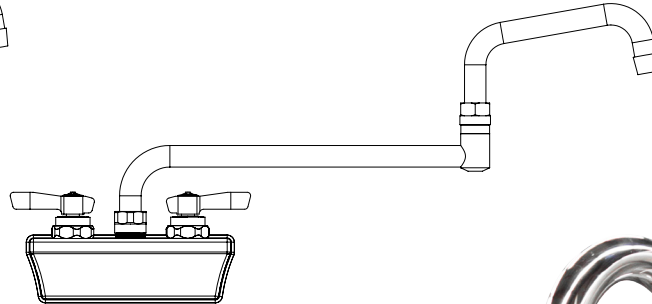




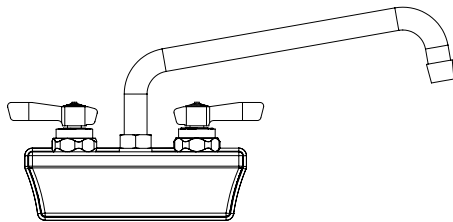
934 FRONT-LOADING WALL MOUNT FAUCET



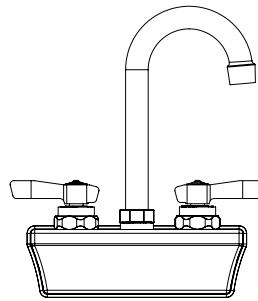
934-6LF



934DJ-LF



934-10LF



934GN-LF



934GN-LF
(shown)

JOB	
AREA	
ITEM NO.	
MODEL NO.	

MODELS
934-6LF
934-10LF
934DJ-LF
934GN-LF

MODEL NUMBERS - 934-6LF, 934-10LF, 934DJ-LF, 934GN-LF

KEY PRODUCT FEATURES AND BENEFITS

- Flexible supply line can be ordered separately
- Wrist blades can be ordered separately
- Aerators can be ordered separately



WARNING: California Prop 65 Notice:

These products may expose you to chemicals including Chromium, which are known to the state of California to cause cancer and birth defects or other reproductive harm. For more information on whether a product in this list contains these chemicals, please refer to the specific product page at perlick.com. Or to find out more about Prop 65, go to P65Warnings.ca.gov.

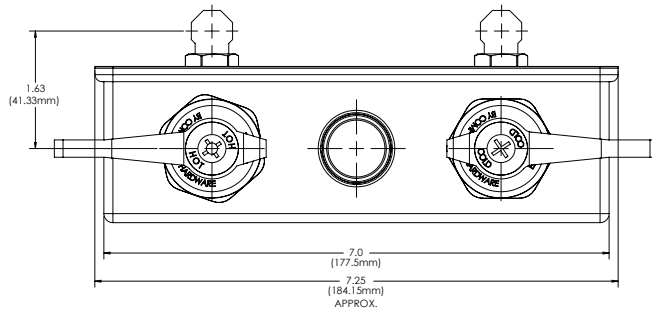
Form No. Z2613
Rev. 02.15.24



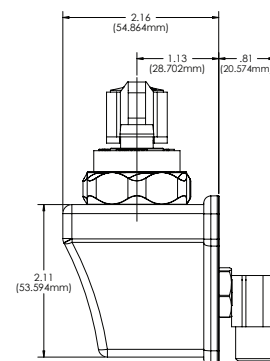
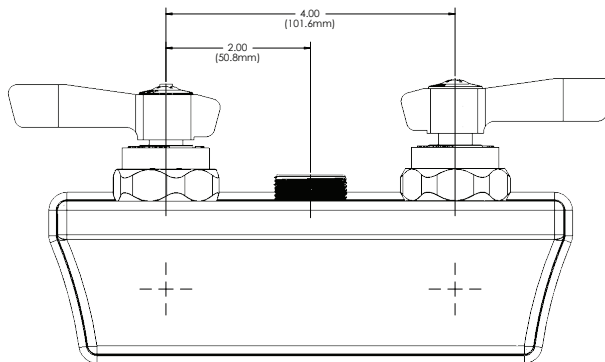
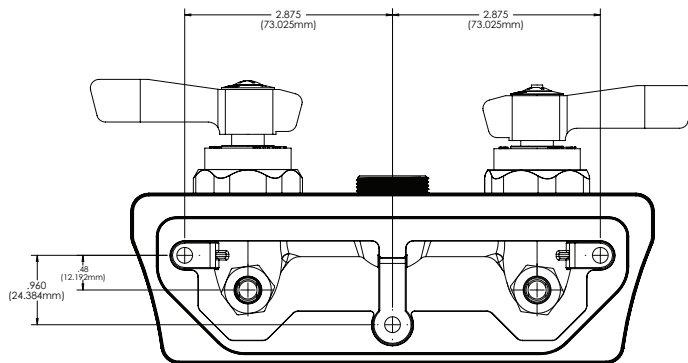
934 FRONT-LOADING WALL MOUNT FAUCET

MODEL NUMBERS - 934-6LF, 934-10LF, 934DJ-LF, 934GN-LF

MODEL NOS.		934-6LF	934-10LF	934DJ-LF	934GN-LF
DIMENSIONS: EXTERIOR (mm)	Width	7.25 (184.15)			
	Depth	2.16 (54.864)			
	Height	4" not including spout			
	Weight (lbs)	2 (.917)			
PERLICK BAR EQUIPMENT	Water Faucet	Hot and cold, heavy-duty all brass construction. Chrome plated.			
	Water Spout Style	6" Swing spout	10" Swing spout	Double-jointed swing spout	Gooseneck swingspout
PLUMBING	Connection	Hot and cold water connection. 9/16 - 24 thread			
	Gallons Per Minute (GPM)	2.2 GPM			



934-LF
(no spout)



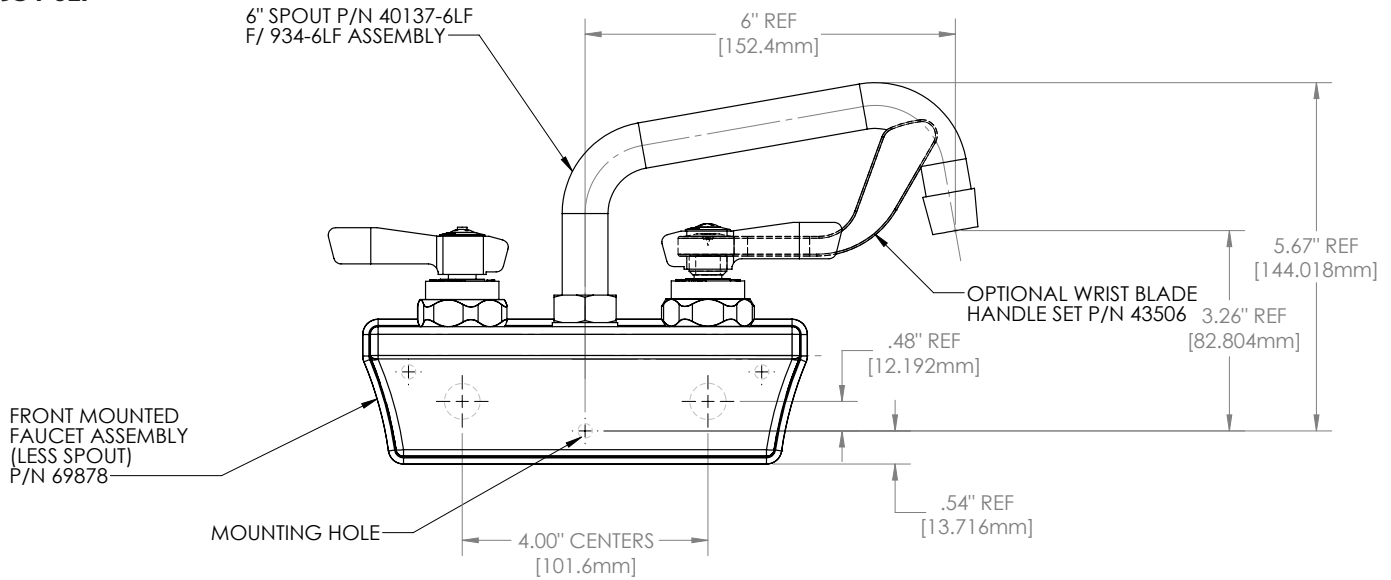
Form No. Z2613
Rev. 02.15.24



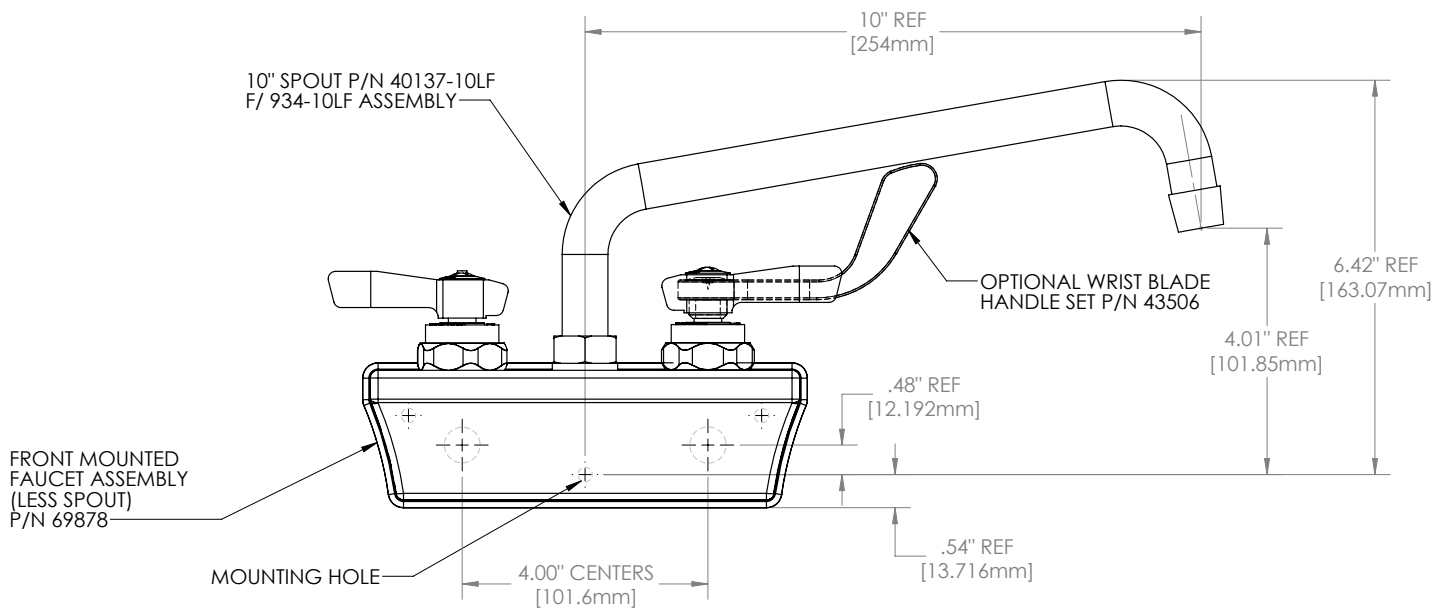
934 FRONT-LOADING WALL MOUNT FAUCET

MODEL NUMBERS - 934-6LF, 934-10LF, 934D-1LF, 934GN-1LF

934-6LF



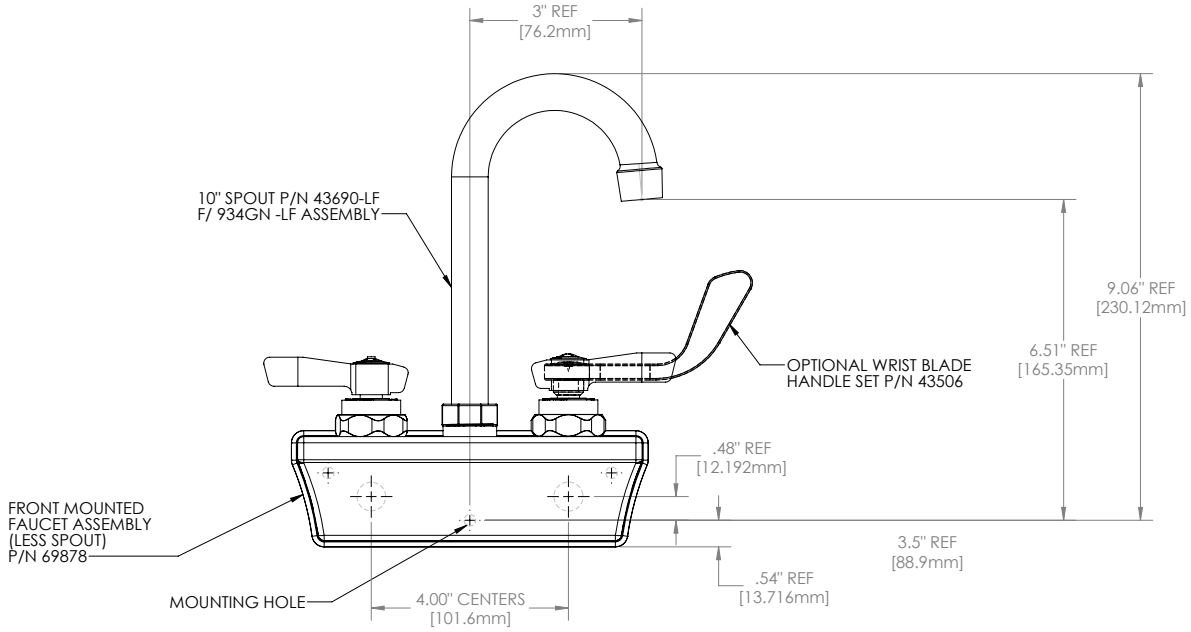
934-10LF





934 FRONT-LOADING WALL MOUNT FAUCET

934GN-LF



934DJ-LF

